

Model No.	POS.1	POS.2
R1399	OFF	ON
Term. Comm.	OPEN	1-3
SCHEMATIC		

SWITCH FUNCTION

	PART NO.	PART NAME	Q'TY
1	MNU-PA03	M12 X 0.75 NUTS	1
2	MNU-1M09	LOCKING WASHER	1
3	MCP-P005	SPLASH PROOF O-RING	1

FILE NAME:HARDWARE-0012

**SPECIFICATIONS**

**Max. current/voltage rating with resistive load:**

(C-1) 100mA 24VDC

**INITIAL CONTACT RESISTANCE:** 50 m $\Omega$  max.

**INSULATION RESISTANCE:** 1 G $\Omega$  min. at 500VDC.

**DIELECTRIC STRENGTH:** 1,000 VAC rms.

**ELECTRICAL LIFE AT FULL LOAD:** 200,000 cycles.

**PANEL THICKNESS:**

(C-2) 1.5 mm (.059) min. - 4 mm (.157) max.

**TOTAL TRAVEL:** 2.5 mm (.098).

**OPERATING FORCE:** 2N~5N.

**CONTACT BOUNCE:** 10 ms.

(A) **TORQUE:** 0.5 Nm max. applied to nut.

**SOLDERING:** 350°C max. for 5 seconds.

**PA WITH LED ELECTRO-OPTICAL DATA :**

Lens Appearance	Color	Electro-optical Data (AT 20mA)				Viewing Angle 2 $\theta$ 1/2 (deg)
		Vf(V)		Iv(mcd)		
		Typ.	Max.	Min.	Typ.	
Water Clear	White	3.5	4.0		370	80°
	Super Red	2.0	2.6		85	
	Super Yellow	2.1	2.6		80	
	Super Green	2.0	2.6		30	
	Super Blue	3.5	4		250	

**MATERIALS**

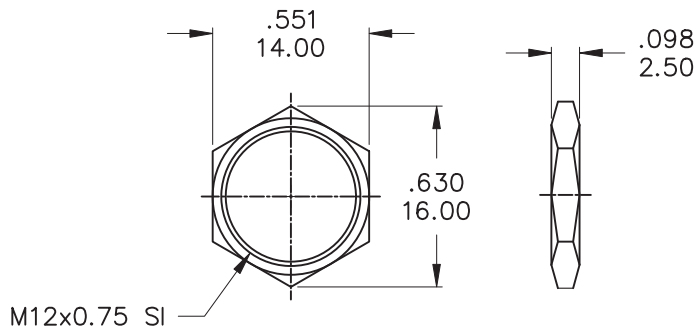
**CASE:** Glass filled Nylon 6/6(UL94v-0).

**CAP:** Polyamide 6/6.

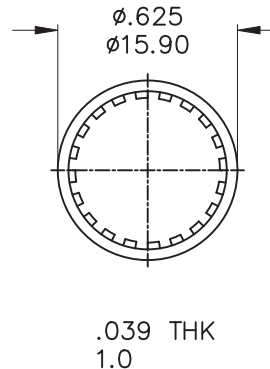
**BUSHING:** Polyamide 6/6.

**TERMINAL/CONTACTS:** Gold over silver plated.

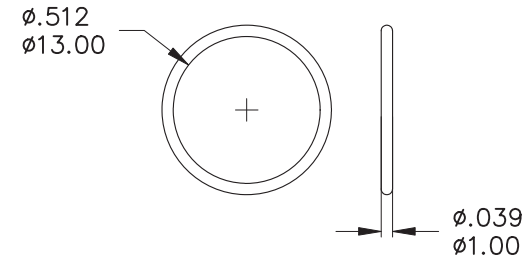
**RoHS:**2002/95/EC



(A) MNU-PA03



MNU-1M09



MCP- P005