

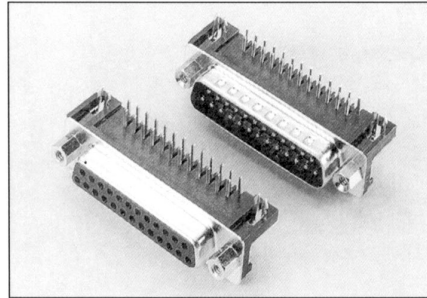
D-SUB RIGHT ANGLE TYPE(7.2mm)

Specifications:

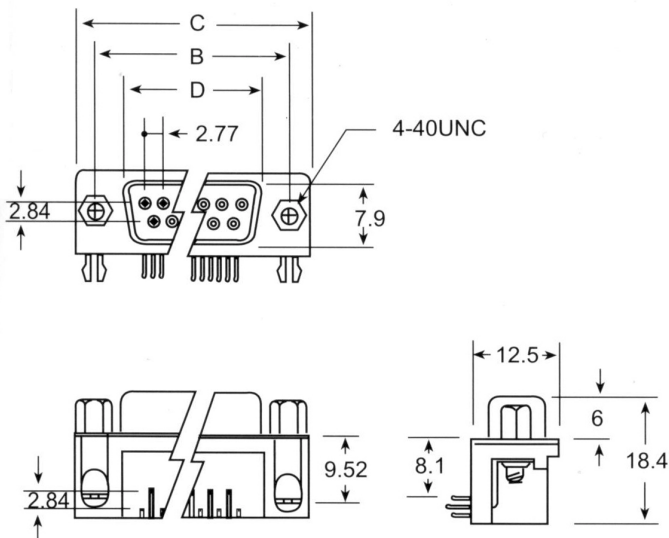
Contact Resistance: 30mΩmax.at DC 100mA
Insulator Resistance: 1000MΩmin.at DC 500V
Current Rating: 5 AMP

Dielectric Withstanding

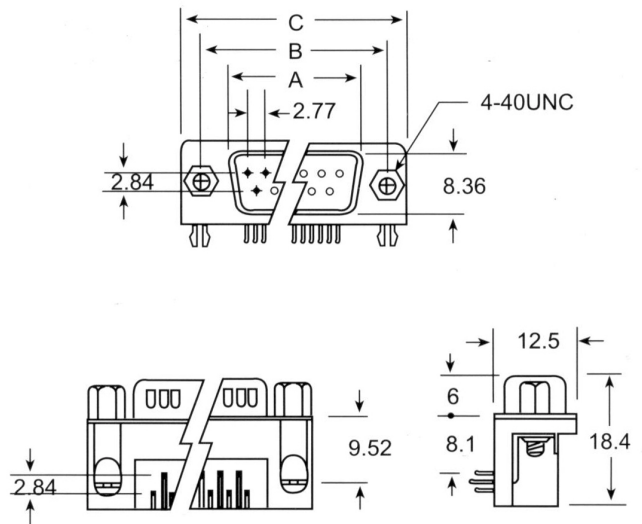
Voltage: AC 1000V For 1 minute
Operating Temperature: -55°C ~ +105°C
Contact: Brass or Phosphor Bronze
Housing: PBT & 30% Glass Fiber (UL 94V-O)



FEMALE



MALE



Dimension

Position	A	B	C	D
9	16.92	24.99	30.81	16.33
15	25.25	33.32	39.14	24.66
19		39.03	44.80	29.92
23		44.36	50.30	35.18
25	38.96	47.04	53.04	38.38
37	55.42	63.50	69.32	54.84
50	52.86	61.11	66.90	52.34