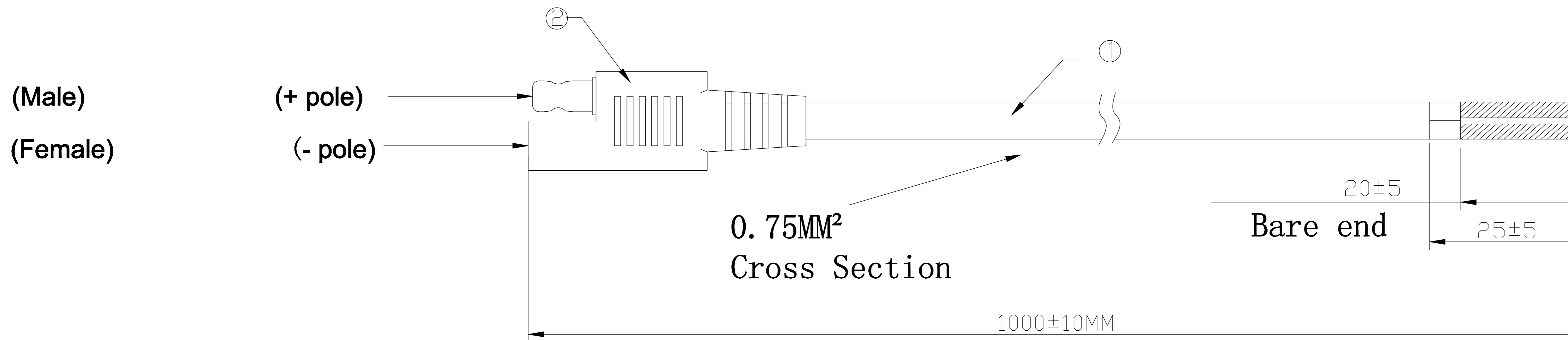
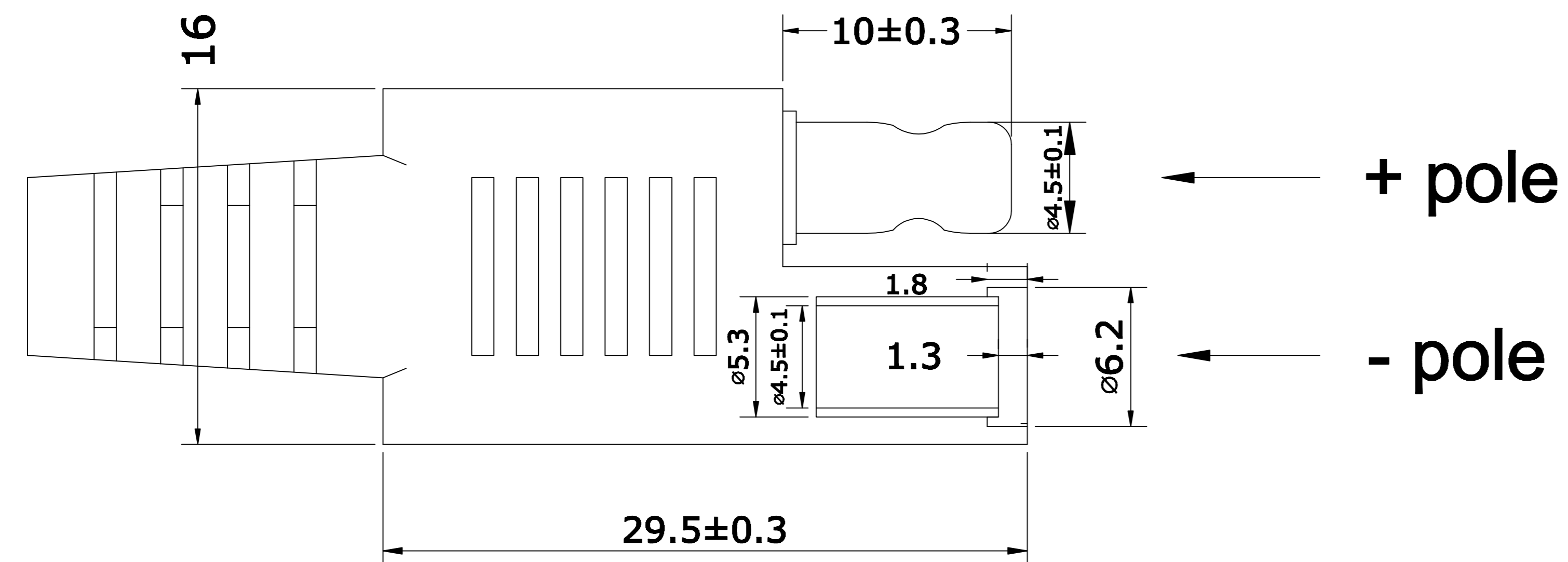


Spec for SOL/SPC 1



Connector:



Front ± 0.3 mm tolerance

TOP ± 0.3 mm tolerance