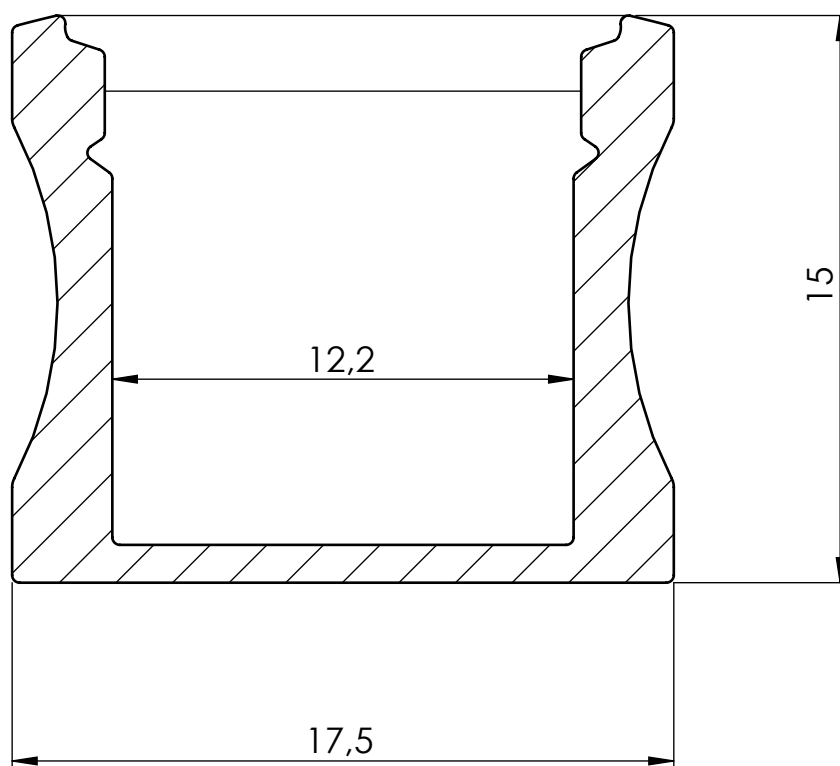


# SLIM LINE 15 mm



PRODUCT CODE: AL-SL15

DESCRIPTION: SL15, anodized in silver aluminum LED profile

WEIGHT: 0.19 kg/m

UNITS: millimeters

SCALE: 5:1

SHEET SIZE: A4

**LEDs-ON**

[www.ledson.eu](http://www.ledson.eu)

UL. PRZEMYSŁOWA 3  
05-082 BLIŻNE ŁASZCZYŃSKIEGO  
TEL. (+48)725590651

ALL RIGHTS RESERVED