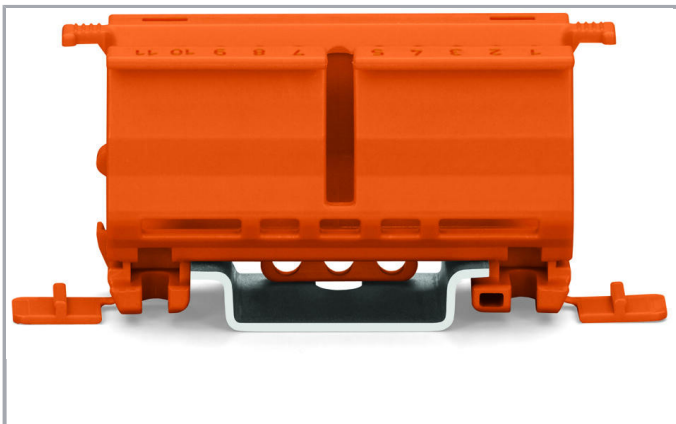
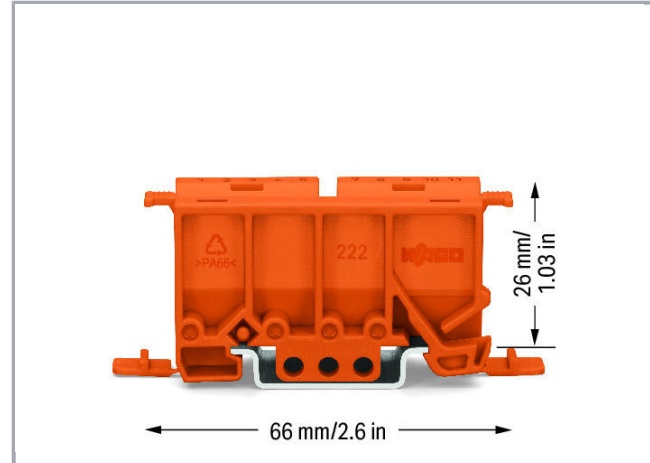
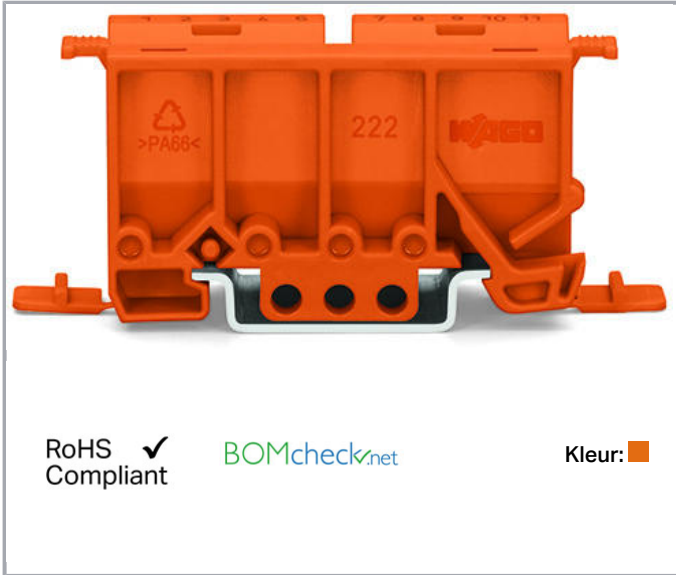


Gegevensblad | Artikelnummer: 222-500

Mounting carrier; 222 Series; for DIN-35 rail mounting/screw mounting;
orange



www.wago.com/222-500



Gegevens

Geometrical Data

Width	22 mm / 0.866 inch
Height from upper-edge of DIN-rail	26 mm / 1.024 inch
Depth	66 mm / 2.598 inch

Wijzigingen voorbehouden. Let ook op de verdere productdocumentatie!

WAGO BeLux nv
Excelsiorlaan 11
1930 Zaventem
Telefoon.: +32 (0)2 717 90 90 | Fax: +32 (0)2 717 90 99
E-mail: info-be@wago.com | Web: www.wago.be

Hebt u vragen over onze producten?
U kunt ons telefonisch bereiken op het nr. +32 (0) 2 7179090.

Mechanical data

Mounting type	DIN-35 rail Screw mount
Suitable	für 2-, 3-, 5-Leiter-Ex-Verbindungsklemmen (6 mm ²) der Serie 221

Material Data

Color	orange
Fire load	0,326 MJ
Weight	10,9g

Commercial data

Product Group	7 (Push Wire Conn.)
Packaging type	BOX
Country of origin	CN
GTIN	4045454714765
Customs tariff number	39269097900

Relevante producten

Marking accessories



Artikelnummer: 210-834

Marking strips; on reel; 5 mm wide; plain; Self-adhesive; white

www.wago.com/210-834

Mounting adapter



Artikelnummer: 222-505

Strain relief plate; for mounting carrier; 221 or 222 Series, can be snapped

www.wago.com/222-505



Artikelnummer: 222-510

Angled DIN-rail adapter; in combination with mounting carrier; 221-500 or 222-500; for DIN-35 rail mounting; gray

www.wago.com/222-510

Downloads

Documentation

Bid Text

222-500	19-mei-2017	doc	Download
doc - Datei		24,1 kB	

222-500

Wijzigingen voorbehouden. Let ook op de verdere productdocumentatie!

222-500 GAEB X81 - Datei	19-feb-2019	xml 2,8 kB	Download
Additional Information Technical explanations	3-apr-2019	pdf 2,1 MB	Download

CAD/CAE-Data

CAD data

2D/3D Models 222-500	URL	Download
----------------------	-----	----------

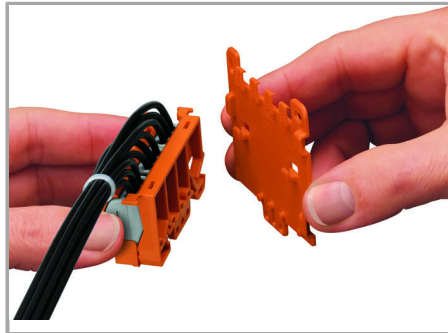
CAE data

EPLAN Data Portal 222-500	URL	Download
WSCAD Universe 222-500	URL	Download
ZUKEN Portal 222-500	URL	Download

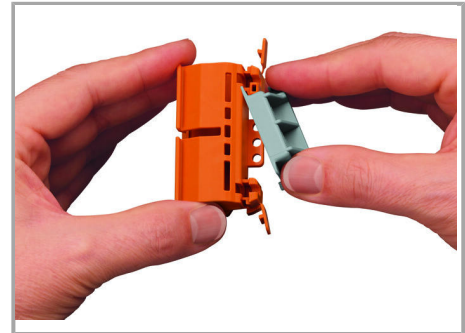
Gebruiksaanwijzingen



Snapping the lateral connector safety lock onto the mounting carrier.

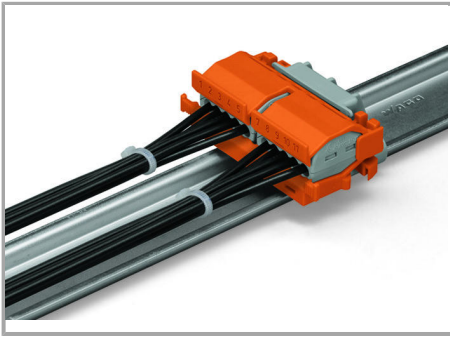


Securing a strain relief plate (222-505) to the mounting carrier.

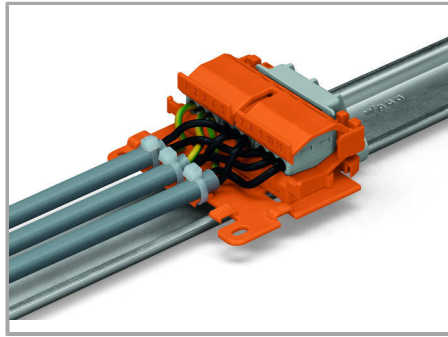


Snapping the angled DIN-rail adapter (222-510) onto the mounting carrier.

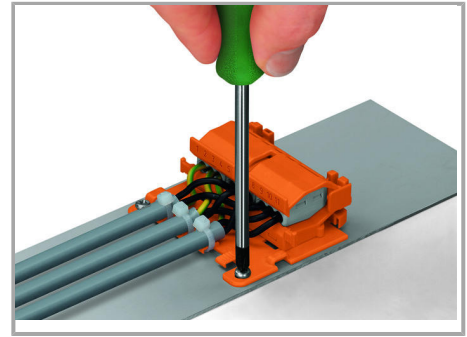
Wijzigingen voorbehouden. Let ook op de verdere productdocumentatie!



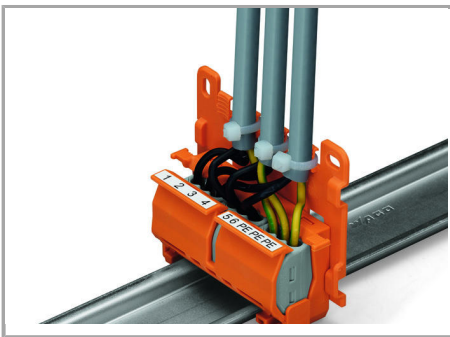
Horizontal mounting on DIN-35 rail using an angled DIN-rail adapter.



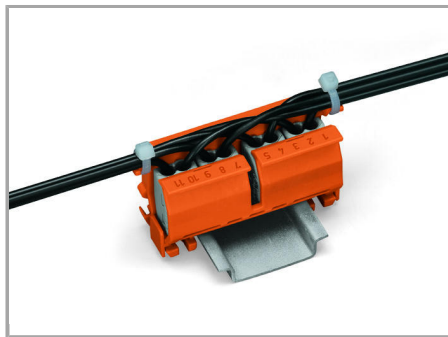
Horizontal mounting on DIN-35 rail using an angled DIN-rail adapter



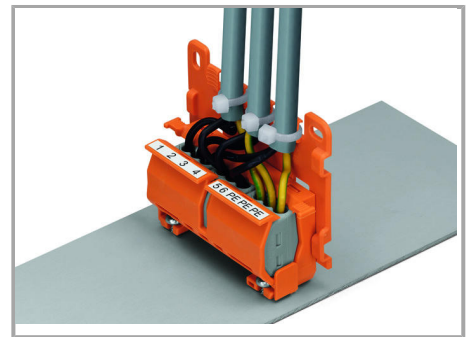
Horizontal screw mounting with strain relief plate on a flat surface



Vertical mounting with strain relief plate on DIN-35 rail;
Marking clamping units via marking strips.



Strain relief via cable ties on the mounting carrier (transverse to the connectors' wiring direction);
Molded marking clamping units



Mounting carrier with strain relief plate mounted vertically on a plate;
Round cable secured via strain relief lug.

Wijzigingen voorbehouden. Let ook op de verdere productdocumentatie!