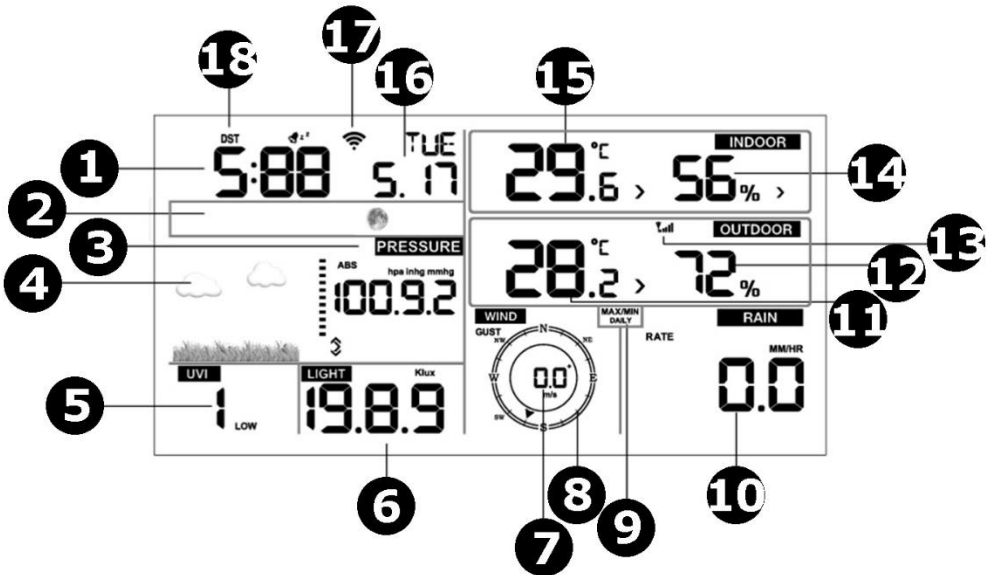
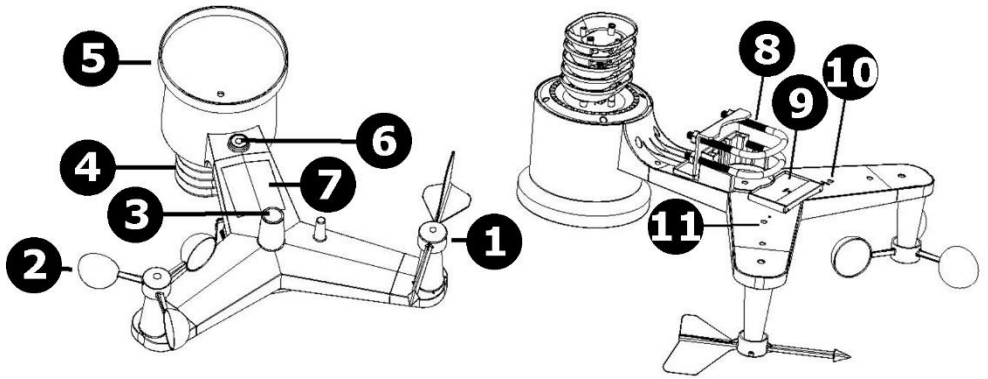


WC224



USER MANUAL	3
HANDLEIDING	15
MODE D'EMPLOI	28
MANUAL DEL USUARIO	41
BEDIENUNGSANLEITUNG	54
INSTRUKCJA OBSŁUGI	67
MANUAL DO UTILIZADOR	80





USER MANUAL

1. Introduction



To all residents of the European Union

Important environmental information about this product

This symbol on the device or the package indicates that disposal of the device after its lifecycle could harm the environment. Do not dispose of the unit (or batteries) as unsorted municipal waste; it should be taken to a specialized company for recycling. This device should be returned to your distributor or to a local recycling service. Respect the local environmental rules.

If in doubt, contact your local waste disposal authorities.

Thank you for choosing Perel! Please read the manual thoroughly before bringing this device into service. If the device was damaged in transit, do not install or use it and contact your dealer.

2. Safety Instructions



Read and understand this manual and all safety signs before using this appliance.

- This device can be used by children aged from 8 years and above, and persons with reduced physical, sensory or mental capabilities or lack of experience and knowledge if they have been given supervision or instruction concerning the use of the device in a safe way and understand the hazards involved. Children shall not play with the device. Cleaning and user maintenance shall not be made by children without supervision.
- This product is exclusively intended for the field of application described in this manual. This product should only be used as described within these instructions.
- Do not expose the appliance to extreme temperatures, vibration or shock.
- The indoor main unit is not watertight and should only be used indoors. Choose a dry and shady installation spot for the main unit.
The outdoor sensor may be used and installed outdoors.

3. General Guidelines

- Refer to the Velleman® Service and Quality Warranty on the last pages of this manual.
- All modifications of the device are forbidden for safety reasons. Damage caused by user modifications to the device is not covered by the warranty.
- Only use the device for its intended purpose. Using the device in an unauthorised way will void the warranty.
- Damage caused by disregard of certain guidelines in this manual is not covered by the warranty and the dealer will not accept responsibility for any ensuing defects or problems.
- Nor Velleman nv nor its dealers can be held responsible for any damage (extraordinary, incidental or indirect) – of any nature (financial, physical...) arising from the possession, use or failure of this product.
- Keep this manual for future reference.

4. Overview

Refer to the illustrations on page 2 of this manual.

Sensor

1	wind vane
2	wind speed sensor
3	UV sensor
4	thermo-hygro sensor
5	rain collector
6	bubble level

7	solar panel
8	U-bolt
9	battery compartment
10	reset button
11	LED indicator

Display

1	time
2	moon phase
3	barometric pressure
4	weather forecast
5	UV index
6	light
7	wind speed
8	wind direction
9	max/min daily

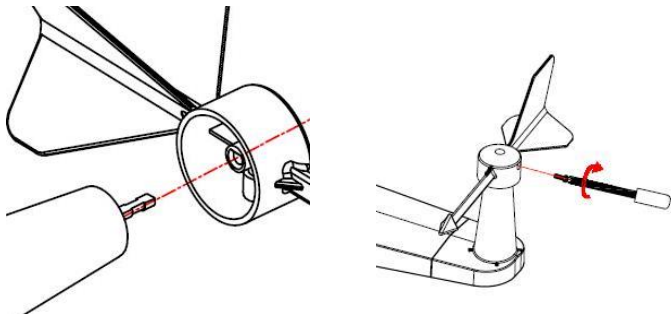
10	rain fall
11	outdoor temperature
12	outdoor humidity
13	RF icon
14	indoor humidity
15	indoor temperature
16	date
17	wifi icon
18	DST

5. Installation

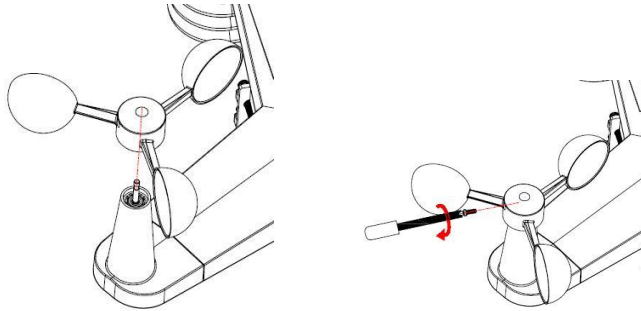
5.1 Sensor

Assembling the Wind Vane and Anemometer

Slide the wind vane onto the shaft and tighten the screw, making sure the vane will spin freely.



Do the same with the anemometer.



Powering the Outdoor Sensor

The outdoor sensor requires two AA/R6 batteries. Open the battery compartment of the weather station. Insert the battery observing the correct polarity and re-insert the battery door.



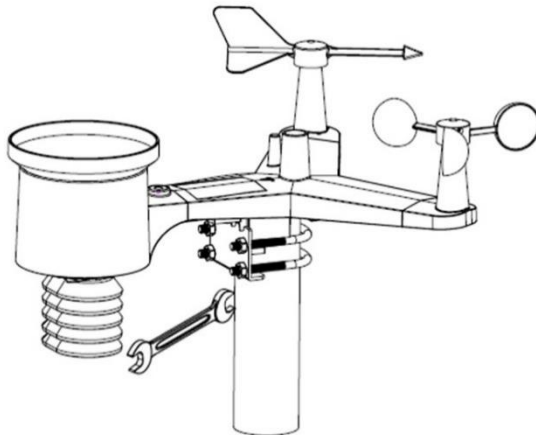
We recommend using lithium or alkaline batteries. Rechargeable batteries are not recommended as they have lower voltages, do not operate well at wide temperature ranges and do not last long, resulting in poorer reception.

Synchronizing the Sensor and Weather Station

Before mounting the outdoor sensor, please refer to the chapter **5.2 Synchronizing the Sensor and Weather Station** below.

Mounting the Outdoor Sensor

The mounting assembly includes two U-bolts and a bracket that tightens around a 1 to 2" diameter pole (not included) using the four nuts.



Mount the sensor so that the wind directions (N, E, S and W) on the sensor are matching with the real cardinal directions. Permanent wind direction errors will occur when the sensor is not mounted correctly. Also, use the bubble level next to the rain sensor as a guide to verify that the sensor is level.

Resetting/Transmission LED

Reset the outdoor sensor in the unlikely event it is not transmitting.

1. With an open-ended paperclip, press and hold the reset button on the sensor for three seconds to completely discharge its circuit.
2. Remove the batteries from the batter compartment and cover the solar panel. Leave the sensor to rest for 5 minutes as this will drain the voltage.
3. Re-insert the batteries and re-synchronize with the console (see below).

5.2 Weather Station

Powering the Weather Station

The weather station requires three AAA/R03 batteries as back-up power in case of power interruption. Open the battery compartment of the weather station. Insert the batteries observing the correct polarity and re-insert the battery door.

Connect the weather station to the mains using the included power adapter or an exact equivalent.

Installing the Weather Station

Install the weather station indoors in a dry and shady spot, away from direct sunlight or rain.

5.3 Synchronizing the Sensor and Weather Station

Synchronizing the Sensor and Weather Station

Keep the outdoor sensor close to the weather station for 30 minutes. Spin the wind cups to simulate wind, and hold the rain collector under a dripping tap to simulate rain.

Once the weather station is receiving data, follow the mounting instructions for the outdoor sensor.

To Obtain the Best Wireless Communication

To ensure proper communication, mount the outdoor sensor in a vertical position.

Also, wireless communication is susceptible to interference, distance, walls and metal barriers. Mind following points:

- Electro-Magnetic Interference (EMI). Keep the weather station away from EMI, e.g. computer monitors and TV sets.
- Radio-Frequency Interference (RFI). Devices operating at a 433 MHz frequency will affect the wireless communication between the outdoor sensor and the weather station. You may need to relocate those devices to avoid interference.
- Line of Sight Rating. This weather station is rated at 100 m line of sight. However, you will typically get 30 m due to environmental barriers.
- Metal Barriers. Keep in mind that radio waves will not pass through metal barriers such as armoured concrete.

Following is a table of barrier vs. reception factor as a guide.

Barrier	Signal Reduction
glass	5-15 %
plastics	10-15 %
wood	10-40 %
brick	10-40 %
concrete	40-80 %
metal	90-100 %

6. Settings

6.1 Key Function

Key	Description
SET	<ul style="list-style-type: none"> Hold this key to enter the setting mode.
TEMP.	<ul style="list-style-type: none"> Press this key to view wind chill, heat index and dew point temperature.
RAIN	<ul style="list-style-type: none"> Press this key to view rain rate, event, rain day, rain week, rain month and rain total. Hold this key pressed for 2 seconds to reset the current displayed rain value.
WIND +	<ul style="list-style-type: none"> Press this key to view wind/gust and wind direction.
PRESSURE -	<ul style="list-style-type: none"> Press this key to view the absolute pressure average of 12 h, 24 h, 48 h and 72 h. Hold this key pressed for 2 seconds to view the absolute and relative pressure.
ALARM	<ul style="list-style-type: none"> Press this key to view the alarm value of temperature/humidity/rain rate/rain day/wind.
MAX/MIN	<ul style="list-style-type: none"> Press this key to view the max/min value of temperature/humidity/rain rate/rain day/wind/UVI/light/absolute pressure.
LIGHT/SNOOZE	<ul style="list-style-type: none"> Press this key to adjust the LCD brightness. Hold this key pressed to register a new transmitter.

Notes:

- Press WIND + and PRESSURE – simultaneously to reset the weather station and clear all records. All user settings will return to default.
- Press TEMP. to skip the RF signal reception.
- In setting mode, press WIND + or PRESSURE – to set the value.
- Press LIGHT/SNOOZE or wait 30 seconds to exit the setting mode.

6.2 Setting Mode

Hold SET pressed for 2 seconds to enter the setting mode. The basic settings can now be performed in following order.

Beep



Press WIND + or PRESSURE – to select on (beep at every key press) or off (beep off).

Max/Min Daily

Press SET again. Press WIND + or PRESSURE - to activate/deactivate the max/min daily function (default: on + clear at 00:00 every day).

Time/Date

Press SET again to set the time. Press WIND + or PRESSURE - to set the values. The setting sequence is:

12/24 h → hour → minute → DD-MM/MM-DD → year → month → day

Pressure

- Absolute vs. Relative Pressure
Hold PRESSURE - pressed to select the absolute or relative pressure.
- Pressure Graph Rate of Change
This graphic is shown on the left of the barometric pressure and signifies the difference between the daily average pressure and the 30-day average in hPa.



- Pressure History
Press PRESSURE - to select the 12 h/24 h/48 h/72 h pressure average.
- Relative Pressure Calibration
Pressure conditions should be compared only at sea-level conditions. To determine the relative pressure for your location, locate an official reporting station near you (the internet is the best source for real-time barometer conditions, such as weather.com or wunderground.com), and set your weather station to match the official reporting station.

Light

Press SET again to select the light unit (lux, fc, w/m², default: w/m²).

Temperature

Press SET again to select the outdoor temperature unit (°C or °F, default: °C).

In normal mode, press TEMP. to view wind chill, heat index and dew point temperature. Hold TEMP. pressed to register a new transmitter.

Note that an out-of-range temperature will be displayed as --.-.

Wind Speed

Press SET again to select the wind speed unit (km/h, mph, knots, m/s, bft, default: km/h).

In normal mode, press WIND + to view the wind/gust and wind direction.

Rain

Press SET again to select the rainfall unit (in/mm, default: mm).

In normal mode, press RAIN to view the rain rate, event, rain day, rain week, rain month and rain total.

Hold RAIN pressed to reset the current displayed rain value.

Moon Phase

Press SET again to select the Northern or Southern hemisphere.

6.3 Alarm Mode

Alarm Value

1. Press ALARM to display the high alarm.



2. Press ALARM again to display the low alarm.



Press RAIN to select the display rate or day rain alarm data.
 Press WIND + to display the wind or gust alarm data.
 Press ALARM or LIGHT/SNOOZE to return to normal mode.

Alarm Mode Setting

1. Hold ALARM pressed to enter the alarm setting mode.
2. Press WIND + or PRESSURE - to activate/deactivate the alerts and adjust the alert values.
3. Press SET to confirm and move to the next item.
4. Press ALARM to switch the alarm on or off.
 When the alarm is triggered, the triggering source icon, the icon for the high value and the icon for the low value will be flashing.
5. Press ALARM or LIGHT/SNOOZE to return to normal mode.

Alarm Setting Sequence

time alarm → indoor high temperature → indoor low temperature →
 indoor high humidity → indoor low humidity → outdoor high temperature →
 outdoor low temperature → outdoor high humidity → outdoor low humidity →
 high wind → rain rate high → rain day high

6.4 Max/Min Mode

1. Press MAX/MIN to display the maximum data.



Press TEMP. to view wind chill, heat index and dew point temperature.
 Press RAIN to view rain rate, rain day, rain week and rain month maximum.
 Press WIND + to view wind and gust maximum.
 Hold PRESSURE - pressed to view the absolute and relative maximum pressure.

2. Press MAX/MIN again to display the minimum data.



Press TEMP. to view wind chill and dew point temperature.

Hold PRESSURE – pressed to view the absolute and relative minimum pressure.

Hold MAX/MIN pressed to reset all maximum or minimum values.

3. Press MAX/MIN or LIGHT/SNOOZE to return to normal mode.

6.5 Calibration

1. Hold TEMP. and MAX/MIN pressed to enter the calibration mode.



Press WIND + or PRESSURE – to set the values.

Press SET to confirm and move to the next item.

Press ALARM to reset any adjusted value.

2. Press LIGHT/SNOOZE to exit the calibration mode.

The setting sequence is:

indoor temperature offset → indoor humidity offset → outdoor temperature offset →
 outdoor humidity offset → absolute pressure offset → wind direction offset →
 wind speed factor → rain factor

6.6 Other Functions

Factory Reset/Memory Clearance

1. Remove the power by removing the batteries and disconnecting from the mains.
2. Re-apply the power by connecting the appliance to the mains.
3. Wait for the appliance to initialize.
4. Hold WIND + and PRESSURE – pressed simultaneously to reset the weather station and clear all records. All user settings will return to default.
5. Re-insert the batteries into the appliance.

Registering a New Transmitter

Hold LIGHT/SNOOZE pressed to register a new transmitter.




Backlight

The display will only be permanently backlit when the appliance is powered through the mains. Adjust the backlight intensity with LIGHT/SNOOZE.

When the appliance is powered through batteries, the display backlight will switch off after 15 seconds to reduce power consumption.

Tendency Arrows

These arrows allow you to quickly determine temperature or pressure tendency.

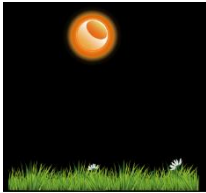
arrow		humidity	temperature	pressure
	rising	> 3 %	≥ 1 °C/2 °C	> 1 hPa
	steady	≤ 3 %	< 1 °C/2 °C	≤ 1 hPa
	falling	> 3 %	≥ 1 °C/2 °C	> 1 hPa

Wireless Signal Indicator

This indicator displays reception quality. If no signal is lost, the indicator will display 5 bars; if the signal is lost once, four bars will be displayed.

Weather Forecast

Weather forecast is indicated by weather symbols. Note that the appliance needs at least one month of atmospheric pressure registration to learn the barometric pressure over time.



sunny



partly cloudy



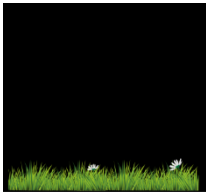
cloudy



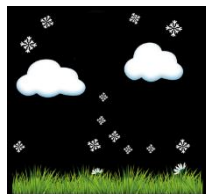
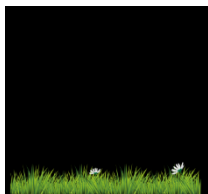
rainy



snowy



rainstorm



snowstorm

Note that weather forecasts are just predictions and that errors in predictions are normal.

Snooze

When time alarm has been triggered, the alarm will sound and the alarm icon will flash for 120 seconds. Press LIGHT/SNOOZE to silence the alarm for 10 minutes. The alarm will sound again when that time is up. Press any key except LIGHT/SNOOZE to stop the alarm.

7. Internet Connection

Please visit the product page on www.velleman.eu and refer to the online manual.

8. Care and Maintenance

Cleaning

- Before starting any cleaning or maintenance activities, unplug the appliance from its power source.
- Wipe all exterior surfaces of the appliance clean with a soft cloth dampened with a soap and water solution. Do not immerse or submerge any part of the appliance in water or any other liquid. Never use solvents or cleaning agents containing petroleum (petrol, kerosene, oil), paint thinner, turpentine, alcohol, or ammonia.

Maintenance

- This appliance does not need any maintenance. Do not open exterior casing of the appliance. There are no user-serviceable parts inside. Opening or visible attempts to open or repair the appliance may void any guarantee and/or cause damage to the product or personal injury.

Storage

- Store the appliance and its accessories in its original package in a clean and dry area.

9. Technical Specifications

temperature

indoor range.....	-10 °C to 60 °C
outdoor range.....	-40 °C to 60 °C
indoor accuracy	-
outdoor accuracy	+/- 1 °C

humidity	
indoor range.....	10-99 %
outdoor range.....	10-99 %
indoor accuracy	+/- 5 %
outdoor accuracy	+/- 5 %
wind	
speed range	0-50 m/s
speed accuracy	+/- 1 m/s (v < 5 m/s), +/- 10 % (v > 5 m/s)
air pressure range	700-1100 hPa
measuring interval	
indoor.....	60 s
outdoor.....	16 s
transmission distance.....	± 100 (open area)
dimensions	
main unit	188 x 118 x 21 mm
sensor	338 x 296 x 214 mm
weight	
main unit	240 g
sensor	580 g
power supply main unit	
power adapter (incl.)	5 VDC, 1 A
battery (not incl.).....	3 x LR03
power supply sensor	
battery (not incl.).....	2 x LR6
built-in solar panel	
frequency	
weather station.....	868.3 MHz
wifi.....	2412-2472 MHz
FM radio.....	-
DCF.....	-
max. RF power transmission	< 20 mW

Use this device with original accessories only. Velleman nv cannot be held responsible in the event of damage or injury resulting from (incorrect) use of this device. For more info concerning this product and the latest version of this manual, please visit our website www.velleman.eu. The information in this manual is subject to change without prior notice.

RED Declaration of Conformity

Hereby, Velleman NV declares that the radio equipment type WC224 is in compliance with Directive 2014/53/EU.

© COPYRIGHT NOTICE

The copyright to this manual is owned by Velleman nv. All worldwide rights reserved. No part of this manual may be copied, reproduced, translated or reduced to any electronic medium or otherwise without the prior written consent of the copyright holder.

HANDLEIDING

1. Inleiding



Aan alle ingezetenen van de Europese Unie **Belangrijke milieu-informatie betreffende dit product**

Dit symbool op het toestel of de verpakking geeft aan dat, als het na zijn levenscyclus wordt weggeworpen, dit toestel schade kan toebrengen aan het milieu. Gooi dit toestel (en eventuele batterijen) niet bij het gewone huishoudelijke afval; het moet bij een gespecialiseerd bedrijf terechtkomen voor recyclage. U moet dit toestel naar uw verdeler of naar een lokaal recyclagepunt brengen. Respecteer de plaatselijke milieuwetgeving.

Hebt u vragen, contacteer dan de plaatselijke autoriteiten betreffende de verwijdering.

Bedankt voor uw aankoop! Lees deze handleiding grondig door voor u het toestel in gebruik neemt. Werd het toestel beschadigd tijdens het transport, installeer het dan niet en raadpleeg uw dealer.

2. Veiligheidsvoorschriften



Lees en begrijp deze handleiding en de veiligheidsinstructies vóór ingebruikname.

- Dit toestel is geschikt voor gebruik door kinderen vanaf 8 jaar, door personen met fysieke, zintuiglijke of verstandelijke beperkingen, of door personen met gebrek aan ervaring en kennis, op voorwaarde dat dit onder toezicht gebeurt van een persoon die verantwoordelijk is voor hun veiligheid of hun aanwijzingen heeft gegeven, hoe zij het toestel moeten gebruiken en zich bewust zijn van de risico's die het gebruik van het toestel met zich meebrengt. Kinderen mogen niet met het toestel spelen. De reiniging en het onderhoud van het toestel mogen niet worden uitgevoerd door kinderen, tenzij ze onder toezicht staan.
- Dit toestel is enkel bestemd voor het toepassingsgebied beschreven in deze handleiding. Gebruik dit toestel enkel zoals beschreven in deze handleiding.
- Stel het toestel niet bloot aan extreme temperaturen, trillingen of schokken.
- Het basisstation is niet waterdicht en is alleen geschikt voor gebruik binnenshuis. Installeer het basisstation op een droge plaats in de schaduw. De buitensensor is geschikt voor gebruik en installatie buitenshuis.

3. Algemene richtlijnen

- Raadpleeg de Velleman® service- en kwaliteitsgarantie achteraan deze handleiding.
- Om veiligheidsredenen mag u geen wijzigingen aanbrengen. Schade door wijzigingen die de gebruiker heeft aangebracht aan het toestel valt niet onder de garantie.
- Gebruik het toestel enkel waarvoor het gemaakt is. De garantie vervalt automatisch bij ongeoorloofd gebruik.
- De garantie geldt niet voor schade door het negeren van bepaalde richtlijnen in deze handleiding en uw dealer zal de verantwoordelijkheid afwijzen voor defecten of problemen die hier rechtstreeks verband mee houden.
- Noch Velleman nv noch zijn verdelers kunnen aansprakelijk gesteld worden voor schade (buitengewoon, incidenteel of onrechtstreeks) – van welke aard dan ook (financieel, fysisch...) voortvloeiend uit het bezit, gebruik of falen van dit product.
- Bewaar deze handleiding voor verdere raadpleging.

4. Omschrijving

Raadpleeg de afbeeldingen op pagina 2 van deze handleiding.

Sensor

1	windvaan
2	windmeter
3	UV-sensor
4	warmte-/hygrosensor
5	regentrichter
6	waterpasooog

7	zonnepaneel
8	U-bout
9	batterijvak
10	resetknop
11	led

Display

1	uur
2	maanfasen
3	luchtdruk
4	weersvoorspelling
5	UV-index
6	lichtsterkte
7	windsnelheid
8	windrichting
9	symbool 'max./min. daily'

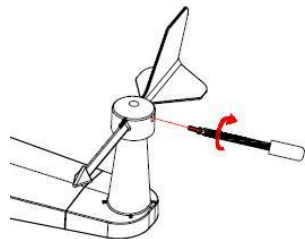
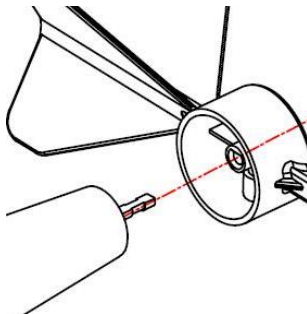
10	regenval
11	buitentemperatuur
12	luchtvochtigheid buitenshuis
13	symbool radiosignaal
14	luchtvochtigheid binnenshuis
15	binnentemperatuur
16	datum
17	wifi-symbool
18	Zomertijd

5. Montage

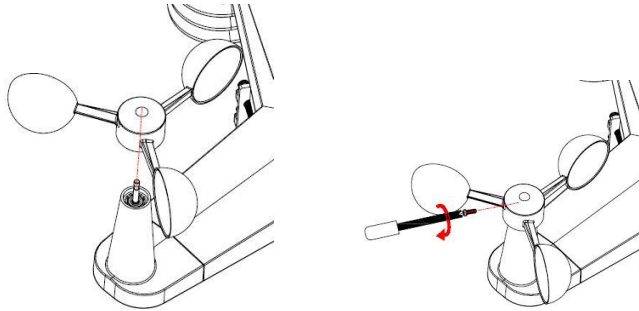
5.1 Sensor

De windvaan en windmeter monteren

Schuif de windvaan over de as en draai de schroef aan. Zorg ervoor dat de windvaan vrij kan bewegen.



Doe hetzelfde met de windmeter.



De buitensensor inschakelen

De buitensensor werkt op 2 x AA/R6-batterijen. Open het batterijvak. Plaats de batterijen met de juiste polariteit en sluit het batterijvak.



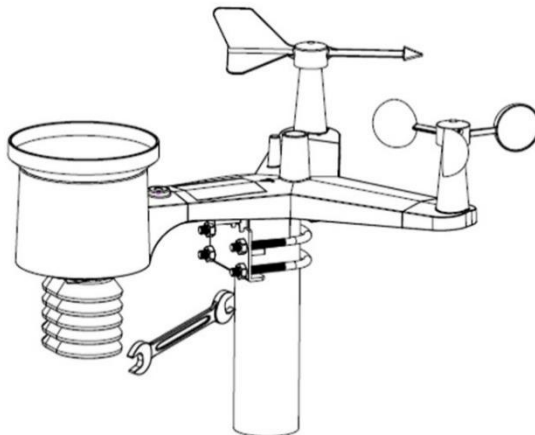
Wij raden u aan om lithium- of alkalinebatterijen te gebruiken. Het gebruik van oplaadbare batterijen is niet aanbevolen omdat deze een lagere spanning hebben, niet goed functioneren bij temperatuurschommelingen, een beperkte levensduur hebben, wat leidt tot een slechte ontvangst.

De sensor en weerstation synchroniseren

Voordat u de buitensensor monteert, lees het hoofdstuk **5.2 De sensor en weerstation**.

De buitensensor monteren

Bevestig de buitensensor aan een mast met een diameter van 1 tot 2" (niet meegeleverd) met behulp van de twee meegeleverde U-bouten, beugel en bouten.



Draai de mast zodat de windrichtingen (N, O, Z en W) op de sensor overeenkomen met de werkelijke windrichtingen. Als de sensor niet correct wordt gemonteerd, zal dit leiden tot een permanente windrichtingfout. Gebruik de waterpasooog naast de regenmeter om de sensor waterpas te monteren.

Resetknop/overdrachtled

Reset de buitensensor als deze geen signaal stuurt.

1. Houd met een opgevouwen paperclip de resetknop op de sensor gedurende drie seconden ingedrukt om een volledige ontlading uit te voeren.
2. Verwijder de batterijen uit het batterijvak en dek het zonnepaneel af. Wacht 5 minuten om de resterende spanning in het toestel te ontladen.
3. Plaats de batterijen weer terug en synchroniseer het weerstation opnieuw (zie onder).

5.2 Weerstation

Het weerstation inschakelen

Bij stroomuitval werkt het toestel met drie AAA/R03-batterijen als noodbatterij. Open het batterijvak. Plaats de batterijen met de juiste polariteit en sluit het batterijvak.

Sluit het toestel aan op het lichtnet met de meegeleverde voedingsadapter of een gelijkwaardige adapter.

Het weerstation installeren

Installeer het toestel binnenshuis in een droge plaats in de schaduw. Vermijd regen of direct zonlicht.

5.3 De sensor en weerstation synchroniseren

De sensor en weerstation synchroniseren

Houd de buitensensor gedurende 30 minuten dicht bij het weerstation. Draai de windcups om wind te simuleren, en houd de regentrechter onder een druppende kraan om regen te simuleren.

Na een succesvolle ontvangst, volg de montage-instructies voor de buitensensor.

Draadloze communicatie

Monteer de buitensensor in een verticale positie voor een probleemloze draadloze communicatie.

Draadloze communicatie gevoelig voor storingen, afstand, muren en metalen obstakels. Houd rekening met:

- Elektromagnetische Interferentie (EMI). Houd het weerstation uit de buurt van computerbeeldschermen en tv-toestellen.
- Radiofrequentie Interferentie (RFI). Toestellen met een 433 MHz-frequentie hebben een negatieve invloed op de draadloze verbinding tussen de buitensensor en het weerstation. Het kan nodig zijn om deze toestellen te verplaatsen om storing te voorkomen.
- Bereik. Dit weerstation heeft een bereik van 100 m in open veld zonder obstakels. Met obstakels is het bereik ongeveer 30 m.
- Metalen obstakels. Radiogolven kunnen niet door metaal (bv. gewapend beton).

De onderstaande tabel toont de signaalvermindering door de invloed van obstakels.

Obstakel	Signaalreductie
glas	5-15 %
plastic	10-15 %
hout	10-40 %
baksteen	10-40 %
beton	40-80 %
metaal	90-100 %

6. Instellingen

6.1 Functietoetsen

Knop	Omschrijving
SET	<ul style="list-style-type: none"> Houd SET ingedrukt om naar de instelmodus te gaan.
TEMP.	<ul style="list-style-type: none"> Druk op TEMP om de gevoelstemperatuur, de hitte-index en het dauwpunt weer te geven.
RAIN	<ul style="list-style-type: none"> Druk op RAIN om de huidige hoeveelheid neerslag, de hoeveelheid neerslag in een neerslagepisode, de dagelijkse, wekelijkse, maandelijkse en totale hoeveelheid neerslag weer te geven. Houd deze toets gedurende 2 seconden ingedrukt om de weergegeven waarde te wissen.
WIND +	<ul style="list-style-type: none"> Druk op WIND + om de wind/stoten en windrichting weer te geven.
PRESSURE -	<ul style="list-style-type: none"> Druk op PRESSURE - om de gemiddelde luchtdruk over 12 uur, 24 uur, 48 uur en 72 uur weer te geven. Houd deze toets gedurende 2 seconden ingedrukt om de absolute en relatieve luchtdruk weer te geven.
ALARM	<ul style="list-style-type: none"> Druk op ALARM om de alarmwaarde van de temperatuur/luchtvochtigheid/neerslagintensiteit/dagelijkse regenval/wind weer te geven.
MAX/MIN	<ul style="list-style-type: none"> Druk op MAX/MIN om de max/minimumwaarden van de temperatuur/luchtvochtigheid/neerslagintensiteit/dagelijkse regenval/wind/UV-index/licht/absolute luchtdruk weer te geven.
LIGHT/SNOOZE	<ul style="list-style-type: none"> Druk op LIGHT/SNOOZE om de helderheid van het display in te stellen. Houd deze toets ingedrukt om een nieuwe zender te registreren.

Opmerkingen:

- Druk gelijktijdig op WIND + en PRESSURE - om het weerstation te resetten en alle opgeslagen waarden uit het geheugen te wissen. Alle gebruikersinstellingen worden gewist en de fabrieksinstellingen hersteld.
- Druk op TEMP om het RF-signaal te negeren.
- In instelmodus, druk op WIND + of PRESSURE - om de waarde in te stellen.
- Druk op LIGHT/SNOOZE of wacht 30 seconden om de instelmodus te verlaten.

6.2 Instelmodus

Houd SET gedurende 2 seconden ingedrukt om naar de instelmodus te gaan. De basisinstellingen kunnen nu in de onderstaande volgorde uitgevoerd worden.

Pieptoon

Druk op WIND + of PRESSURE – om het geluid in (pieptoon bij elke druk) of uit te schakelen (pieptoon uit).

Max/Min Daily

Druk nogmaals op SET. Druk op WIND + of PRESSURE - om de max/min daily-functie in/uit te schakelen (standaard: aan + dagelijks wissen om 00:00).

Uur/datum

Druk nogmaals op SET om het uur in te stellen. Druk op WIND + of PRESSURE – om de waarden in te stellen. De instelvolgorde is:

12/24 u → uur → minuten → dd-mm/mm-dd → jaar → maand → dag

Luchtdruk

- Absolute vs. relatieve luchtdruk
Houd PRESSURE - ingedrukt om de absolute of relatieve luchtdruk te selecteren.
- Luchtdrukverandering in grafiekvorm
Deze grafiek wordt links naast de luchtdruk weergegeven en geeft het verschil aan tussen de gemiddelde luchtdruk per dag en de gemiddelde luchtdruk over 30 dagen (in hPa).



- Histogram
Druk op PRESSURE – om de gemiddelde luchtdruk over 12 uur, 24 uur, 48 uur en 72 uur weer te geven.

- Kalibreren relatieve luchtdruk
De atmosferische omstandigheden kunnen alleen worden vergeleken op zeespiegelniveau. Om de relatieve druk op uw locatie te bepalen, zoek een officieel meetpunt in uw buurt (het internet is de beste bron voor reallimetingen zoals op Weather.com of Wunderground.com) en stel u uw weerstation in volgens het officiële meetpunt.

Lichtsterkte



Druk nogmaals op SET om de eenheid van lichtsterkte te selecteren (lux, fc, w/m², standaard: w/m²).

Temperatuur



Druk nogmaals op SET om de meeteenheid van de buitentemperatuur te selecteren (°C of °F, standaard: °C).

In normale modus, druk op TEMP. om de gevoelstemperatuur, de hitte-index en het dauwpunt weer te geven. Houd TEMP. ingedrukt om een nieuwe zender te registreren.

Als de gemeten temperatuur buiten het meetbereik ligt, verschijnt --.-.

Windsnelheid



Druk nogmaals op SET om de windsnelheidseenheid te selecteren (km/h, mph, knopen, m/s, beaufort, standaard: km/h).

In normale modus, druk op WIND + om de wind(stoten) en windrichting weer te geven.

Regen



Druk nogmaals op SET om de neerslagenheid te selecteren (in/mm, standaard: mm).

In normale modus, druk op RAIN om de huidige hoeveelheid neerslag, de hoeveelheid neerslag in een neerslagepisode, de dagelijkse, wekelijkse, maandelijkse en totale hoeveelheid neerslag weer te geven.

Houd RAIN ingedrukt om de weergave van de huidige hoeveelheid neerslag te resetten.

Maanfasen



Druk nogmaals op SET om het noordelijk of zuidelijk halfmond te selecteren.

6.3 Alarmmodus

Alarmwaarde

1. Druk op ALARM om de max. alarmwaarde weer te geven.



2. Druk nogmaals op ALARM om de min. alarmwaarde weer te geven.



Druk op RAIN om de waarde van het dagelijks neerslagalarm weer te geven.
Druk op WIND + om de alarmwaarde voor wind of windstoten weer te geven.
Druk op ALARM of LIGHT/SNOOZE om naar de normale modus terug te keren.

Alarmmodus instellen

1. Houd ALARM ingedrukt om naar de alarminstelmodus te gaan.
2. Druk op WIND + of PRESSURE - om de alarmen in/uit te schakelen en om de alarmwaarden in te stellen.
3. Druk op SET om te bevestigen en ga naar de volgende instelling.
4. Druk op ALARM om het alarm in of uit te schakelen.
Wanneer het alarm afgaat, knippert het overeenkomstige kloksymbool, het symbool voor de maximumwaarde en het symbool voor de maximumwaarde.
5. Druk op ALARM of LIGHT/SNOOZE om naar de normale modus terug te keren.

Instelvolgorde

alarmtijd → max. binnentemperatuur → min. binnentemperatuur →
max. luchtvochtigheid binnen → min. luchtvochtigheid binnen →
max. buitentemperatuur → min. binnentemperatuur → max. luchtvochtigheid buiten
→ min. luchtvochtigheid buiten → max. windsnelheid → max. neerslagintensiteit
→ max. dagelijkse neerslag

6.4 Min/max-modus

1. Druk op MAX/MIN om de maximumwaarden weer te geven.



Druk op TEMP. om de gevoelstemperatuur, de hitte-index en het dauwpunt weer te geven.

Druk op RAIN om de huidige hoeveelheid neerslag, de hoeveelheid neerslag in een neerslagepisode, de dagelijkse, wekelijkse en maandelijkse hoeveelheid neerslag weer te geven.

Druk op WIND + om de max. windsnelheid/windstoten weer te geven.

Houd PRESSURE - ingedrukt om de max. absolute en relatieve luchtdruk weer te geven.

2. Druk nogmaals op MAX/MIN om de minimumwaarden weer te geven.



Druk op TEMP. om de gevoelstemperatuur en het dauwpunt weer te geven.

Houd PRESSURE - ingedrukt om de min. absolute en relatieve luchtdruk weer te geven.

Houd MAX/MIN ingedrukt om alle maximum- of minimumwaarden te resetten.

3. Druk op MAX/MIN of LIGHT/SNOOZE om naar de normale modus terug te keren.

6.5 Kalibreren

1. Houd TEMP. en MAX/MIN ingedrukt om naar de kalibratiemodus te gaan.



Druk op WIND + of PRESSURE - om de waarden in te stellen.

Druk op SET om te bevestigen en ga naar de volgende instelling.

Druk op ALARM om de ingestelde waarden te resetten.

2. Druk op LIGHT/SNOOZE om de kalibratiemodus te verlaten.

De instelvolgorde is:

compensatiewaarde binnentemperatuur → compensatiewaarde luchtvochtigheid binnen
 → compensatiewaarde buitentemperatuur → compensatiewaarde
 luchtvochtigheid buiten → compensatiewaarde absolute luchtdruk → compensatiewaarde
 windrichting → windsnelheidsfactor → regenfactor

6.6 Andere functies

Fabrieksinstellingen/geheugen wissen

1. Verwijder de batterijen en trek de stekker uit het stopcontact om de voeding te ontkoppelen.
2. Steek de stekker in het stopcontact om het toestel van stroom te voorzien.
3. Laat het toestel opstarten.
4. Druk gelijktijdig op WIND + en PRESSURE - om het weerstation te resetten en alle opgeslagen waarden uit het geheugen te wissen. Alle gebruikersinstellingen worden gewist en de fabrieksinstellingen hersteld.
5. Plaats de batterijen opnieuw in het toestel.

Een nieuwe zender registreren

Houd LIGHT/SNOOZE ingedrukt om een nieuwe zender te registreren.




Achtergrondverlichting

Wanneer het toestel werkt op netstroom, zal de achtergrondverlichting blijven branden. Stel de intensiteit van de achtergrondverlichting in met LIGHT/SNOOZE.

Wanneer het toestel op batterijen werkt, zal de achtergrondverlichting van het display na 15 seconden worden uitgeschakeld om het stroomverbruik te verminderen.

Weertendens

Deze pijlen geven de trend van de temperatuur- en de luchtvochtigheid weer.

pijl		vochtigheid	temperatuur	luchtdruk
	stijgend	> 3 %	$\geq 1 \text{ }^\circ\text{C}/2 \text{ }^\circ\text{C}$	> 1 hPa
	stabiel	$\leq 3 \text{ %}$	$< 1 \text{ }^\circ\text{C}/2 \text{ }^\circ\text{C}$	$\leq 1 \text{ hPa}$
	dalend	> 3 %	$\geq 1 \text{ }^\circ\text{C}/2 \text{ }^\circ\text{C}$	> 1 hPa

Indicator draadloos signaal

Dit symbool geeft de verbindingkwaliteit weer. Als het signaal succesvol is ontvangen, verschijnen 5 balkjes; Als er signaalverlies is, verschijnen vier balkjes.

Weersverwachting

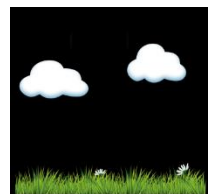
De weersverwachting wordt weergegeven d.m.v. weersymbolen. Het toestel heeft minstens een maand nodig om te leren hoe de luchtdruk in de loop van de tijd te meten.



zonnig



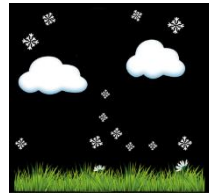
licht bewolkt



bewolkt



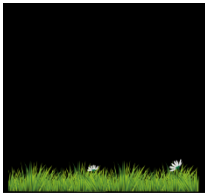
regenachtig



sneeuw



zware regenval



sneeuwstorm

Opgelet: Weersvoorspellingen zijn slechts voorspellingen, fouten kunnen normaal zijn.

Snooze (sluimerfunctie)

Wanneer de alarmtijd is bereikt weerklinkt het alarm en knippert het kloksymbool gedurende 120 seconden. Druk op LIGHT/SNOOZE om het alarm 10 minuten uit te stellen. Nadat de ingestelde tijd is verstreken, gaat het alarm opnieuw af. Druk op een willekeurige toets, behalve op LIGHT/SNOOZE, om het alarm te stoppen.

7. Internetverbinding

Raadpleeg de productpagina op www.velleman.eu voor meer informatie.

8. Reiniging en onderhoud

Reiniging

- Trek de trekker uit het stopcontact voor elke reiniging en onderhoud.
- Reinig de behuizing met een zachte doek die licht bevochtigd is met een milde zeepoplossing. Dompel het toestel nooit onder in water of andere vloeistoffen. Gebruik nooit oplosmiddelen of reinigingsmiddelen die petroleum (benzine, kerosine, olie), verfverdunder, wasbenzine, alcohol of ammoniak bevatten.

Onderhoud

- Het toestel heeft geen speciaal onderhoud nodig. Open nooit de behuizing van het toestel. De gebruiker mag geen onderdelen vervangen. Het openen of zichtbare pogingen tot het openen of het repareren van het toestel kan leiden tot het vervallen van de garantie en/of schade aan het toestel of letsels.

Opslag

- Bewaar het toestel in de oorspronkelijke verpakking op een droge en propere plaats.

9. Technische specificaties

temperatuur	
binnenshuis	-10 °C tot 60 °C
buitenshuis.....	-40 °C tot 60 °C
resolutie binnenshuis	-
resolutie buitenshuis.....	± 1 °C
vochtigheid	
binnenshuis	10-99 %
buitenshuis.....	10-99 %
resolutie binnenshuis	+/- 5 %
resolutie buitenshuis.....	+/- 5 %
wind	
windsnelheid	0-50 m/s
resolutie windsnelheid	+/- 1 m/s (v < 5 m/s), +/- 10 % (v > 5 m/s)
luchtdruk.....	700-1100 hPa
meetinterval	
binnenshuis	60 s
buitenshuis.....	16 s
bereik	± 100 (open ruimte)
afmetingen	
basisstation	188 x 118 x 21 mm
sensor	338 x 296 x 214 mm
gewicht	
basisstation	240 g
sensor	580 g
voeding basisstation	
voedingsadapter (meegelev.)	5 VDC, 1 A
batterij (niet meegelev.)	3 x LR03-batterij
voeding sensor	
batterij (niet meegelev.)	2 x LR6
ingebouwd zonnepaneel	

frequentie

weerstation	868.3 MHz
wifi.....	2412-2472 MHz
FM-radio	-
DCF	-
max. RF-vermogen	< 20 mW

Gebruik dit toestel enkel met originele accessoires. Velleman nv is niet aansprakelijk voor schade of kwetsuren bij (verkeerd) gebruik van dit toestel. Voor meer informatie over dit product en de laatste versie van deze handleiding, zie www.velleman.eu. De informatie in deze handleiding kan te allen tijde worden gewijzigd zonder voorafgaande kennisgeving.

RED-conformiteitsverklaring

Hierbij verklaart Velleman nv, dat dit type radioapparatuur WC224 conform is met richtlijn 2014/53/EU.

© AUTEURSRECHT

Velleman nv heeft het auteursrecht voor deze handleiding. Alle wereldwijde rechten voorbehouden. Het is niet toegestaan om deze handleiding of gedeelten ervan over te nemen, te kopiëren, te vertalen, te bewerken en op te slaan op een elektronisch medium zonder voorafgaande schriftelijke toestemming van de rechthebbende.

MODE D'EMPLOI

1. Introduction



Aux résidents de l'Union européenne

Informations environnementales importantes concernant ce produit

Ce symbole sur l'appareil ou l'emballage indique que l'élimination d'un appareil en fin de vie peut polluer l'environnement. Ne pas jeter un appareil électrique ou électronique (et des piles éventuelles) parmi les déchets municipaux non-sujets au tri sélectif ; une déchetterie traitera l'appareil en question. Renvoyer l'appareil à votre fournisseur ou à un service de recyclage local. Respecter la réglementation locale relative à la protection de l'environnement.

En cas de questions, contacter les autorités locales pour élimination.

Nous vous remercions de votre achat ! Lire attentivement le présent mode d'emploi avant la mise en service de l'appareil. Si l'appareil a été endommagé pendant le transport, ne pas l'installer et consulter votre revendeur.

2. Consignes de sécurité



Lire et comprendre ce mode d'emploi et toutes les consignes de sécurité avant d'utiliser l'appareil.

- Cet appareil peut être utilisé par des enfants âgés de 8 ans et plus et des personnes manquant d'expérience et de connaissances ou dont les capacités physiques, sensorielles ou mentales sont réduites, si elles ont été formées et encadrées quant à l'utilisation de l'appareil d'une manière sûre et connaissent les risques encourus. Ne pas laisser les enfants jouer avec l'appareil. Le nettoyage et l'entretien ne doivent pas être effectués par des enfants sans surveillance.
- Ce produit ne convient qu'au domaine d'application décrit dans ce manuel. N'utiliser ce produit que de la manière décrite dans ce mode d'emploi.
- Ne pas exposer l'appareil à des températures extrêmes, des vibrations, etc.
- La station météo n'est pas étanche et ne peut être utilisée qu'à l'intérieur. Installer l'appareil dans un endroit sec et à l'ombre.
Le capteur extérieur peut être installé et utilisé à l'extérieur.

3. Directives générales

- Se référer à la garantie de service et de qualité Velleman® en fin de ce mode d'emploi.
- Toute modification est interdite pour des raisons de sécurité. Les dommages occasionnés par des modifications par le client ne tombent pas sous la garantie.
- N'utiliser l'appareil qu'à sa fonction prévue. Un usage impropre annule d'office la garantie.
- La garantie ne se s'applique pas aux dommages survenus en négligeant certaines directives de ce mode d'emploi et votre revendeur déclinera toute responsabilité pour les problèmes et les défauts qui en résultent.
- Ni Velleman SA ni ses distributeurs ne peuvent être tenus responsables des dommages exceptionnels, imprévus ou indirects, quelles que soient la nature (financière, corporelle, etc.), causés par la possession, l'utilisation ou le dysfonctionnement de ce produit.
- Garder ce mode d'emploi pour toute référence ultérieure.

4. Description

Se référer aux illustrations en page 2 de ce mode d'emploi.

Capteur

1	girouette
2	capteur de vitesse du vent
3	capteur de lumière/UV
4	thermo-/hygromètre
5	entonnoir pour la pluie
6	niveau à bulle

7	panneau solaire
8	boulon en U
9	compartiment à piles
10	bouton de réinitialisation
11	indicateur LED

Afficheur

1	heure
2	phase lunaire
3	pression atmosphérique
4	prévisions météo
5	indice UV
6	luminosité
7	vitesse du vent
8	direction du vent
9	icône 'max/min daily'

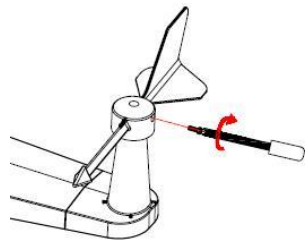
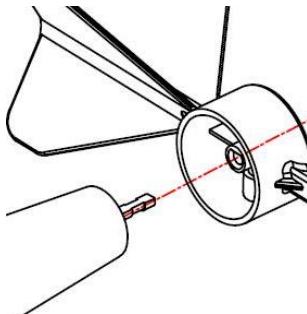
10	précipitations
11	température extérieure
12	humidité extérieure
13	icône RF
14	humidité intérieure
15	température intérieure
16	date
17	icône wifi
18	heure d'été

5. Installation

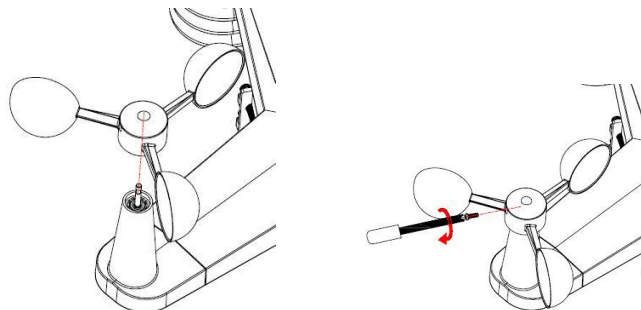
5.1 Capteur

Monter la girouette et l'anémomètre

Monter la girouette sur l'arbre et serre la vis. S'assurer que la girouette peut tourner librement.



Procéder de la même manière pour l'anémomètre.



Allumer le capteur extérieur

Le capteur extérieur fonctionne avec deux piles AA/R6. Ouvrir le compartiment à piles. Insérer la pile et refermer le compartiment à piles. Respecter la polarité.



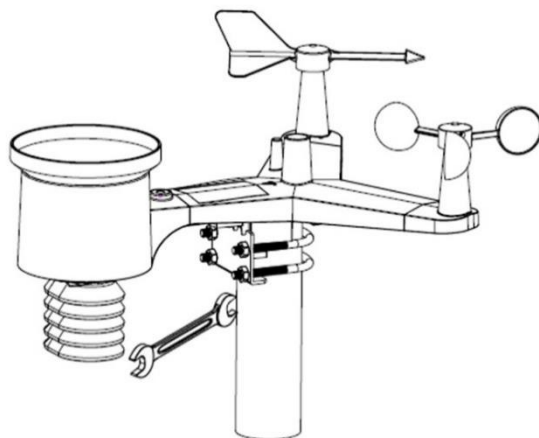
Utiliser des piles alcalines ou au lithium. Les piles rechargeables ne sont pas recommandées car elles ont une tension inférieure, ne fonctionnent pas bien en cas de grandes variations de température, ne durent pas longtemps et entraînent donc une mauvaise réception.

Synchroniser le capteur et la station météo

Avant de monter le capteur extérieur, se référer au chapitre **5.2 Synchroniser le capteur et la station météo**.

Monter le capteur extérieur

Fixer le mât au piquet (non incl.) avec un diamètre de 1 à 2" à l'aide des deux boulons en U, des brides et les quatre écrous de fixation.



Monter le capteur de telle sorte à ce que les points cardinaux (N, E, S et W) sur le capteur correspondent à ceux de l'emplacement. Si le capteur est mal positionné lors de l'installation, la direction affichée du vent sera toujours incorrecte. Utiliser le niveau à bulle près du pluviomètre pour vérifier si le capteur est de niveau.

Bouton de réinitialisation et LED de transmission

Réinitialiser le capteur extérieur s'il ne transmet pas correctement.

1. Maintenir enfoncé le bouton de réinitialisation avec le bout d'un trombone déplié pendant trois secondes pour décharger complètement la tension.
2. Retirer les piles du compartiment et couvrir le panneau solaire pour assurer une décharge complète. Attendre 5 minutes pour décharger la tension résiduelle.
3. Réinsérer les piles et procéder à une nouvelle synchronisation avec la station de base (voir ci-dessous).

5.2 Station météo**Allumer la station météo**

L'appareil fonctionne avec trois piles AAA/R03 comme pile de secours en cas de panne de courant. Ouvrir le compartiment à piles. Insérer les piles et refermer le compartiment à piles. Respecter la polarité.

Connecter l'appareil au réseau via l'adaptateur secteur fourni ou un adaptateur du même type.

Installer la station météo

Installer l'appareil dans un endroit sec et ombragé. Ne pas l'exposer au soleil ou à la pluie.

5.3 Synchroniser le capteur et la station météo**Synchroniser le capteur et la station météo**

Placer le capteur extérieur à proximité de la station météo pendant 30 minutes. Faire tourner les coupelles à vent pour simuler le vent et faire couler lentement de l'eau dans le collecteur de pluie pour simuler la pluie.

Après les 30 minutes, suivre les instructions d'installation pour le capteur extérieur.

Meilleures pratiques pour assurer la transmission sans fil

Pour assurer une bonne transmission, monter le capteur extérieur à la verticale.

Les connexions sans fil peuvent être perturbées par des interférences, de longues distances, des murs et des obstacles métalliques. Noter les informations suivantes pour assurer une transmission sans interférence :

- Interférences électromagnétiques (EMI). Tenir la station météo à distance des écrans d'ordinateur et des téléviseurs.
- Interférences radio (RFI). Les appareils utilisant une fréquence de 433 MHz affectent la communication sans fil entre le capteur extérieur et la station météo. Il faudra peut-être déplacer ces appareils pour éviter toute interférence.
- Portée. Cette station météo a une portée de 100 m lorsqu'il n'y a pas d'obstacles. Dans la plupart des conditions, la portée maximale sans fil est de 30 mètres.
- Obstacles métalliques. Les fréquences radio ne peuvent pas traverser les obstacles métalliques tel que le béton armé.

Le tableau suivant montre l'impact des obstacles sur l'affaiblissement du signal.

Obstacle	Réduction de la puissance du signal RF
verre	5-15 %
plastique	10-15 %
bois	10-40 %
brique	10-40 %
béton	40-80 %
métal	90-100 %

6. Paramétrage

6.1 Fonctions des boutons

Bouton	Description
Set	<ul style="list-style-type: none"> Maintenir enfoncé SET pour accéder au mode de réglage.
TEMP.	<ul style="list-style-type: none"> Maintenir enfoncé TEMP. pour afficher le refroidissement éolien, l'indice de chaleur et le point de rosée
RAIN	<ul style="list-style-type: none"> Appuyer sur RAIN pour afficher le taux de précipitation (événement de pluie, quotidien, hebdomadaire, mensuel et total). Maintenir enfoncé RAIN pendant 2 secondes pour réinitialiser l'affichage actuel des précipitations.
VENT +	<ul style="list-style-type: none"> Appuyer sur WIND + pour afficher le vent, les rafales et la direction du vent.
PRESSURE -	<ul style="list-style-type: none"> Appuyer sur PRESSURE - pour afficher la pression atmosphérique moyenne au cours des 12, 24, 48 ou 72 dernières heures. Maintenir enfoncé PRESSURE - pendant 2 secondes pour afficher la pression absolue et relative.
ALARM	<ul style="list-style-type: none"> Appuyer sur ALARM pour afficher les valeurs limites de température / humidité / taux de précipitation / précipitations quotidiennes / vent.
MAX/MIN	<ul style="list-style-type: none"> Appuyer sur MAX/MIN pour afficher les valeurs maximales / minimales de température / humidité / taux de précipitation / précipitations quotidiennes / vent / UVI / lumière / pression atmosphérique absolue.
LIGHT/SNOOZE	<ul style="list-style-type: none"> Appuyer sur LIGHT/SNOOZE pour régler la luminosité du rétroéclairage. Maintenir enfoncé LIGHT/SNOOZE pour enregistrer un nouvel émetteur.

Remarques :

- Appuyer simultanément sur WIND + et PRESSURE- pour réinitialiser la station météo aux paramètres d'usine et pour supprimer toutes les données enregistrées et les paramètres d'utilisateur.
- Appuyer sur TEMP. pour ignorer la réception du signal RF.
- En mode de réglage, appuyer sur WIND + ou PRESSURE - pour régler la valeur.
- Appuyer sur LIGHT/SNOOZE ou attendre 30 secondes pour quitter le mode de réglage.

6.2 Mode de réglage

Maintenir enfoncé SET pendant 2 secondes pour accéder au mode de réglage. Les réglages de base peuvent être effectués dans l'ordre suivant :

Tonalité (beep)



Appuyer sur WIND + ou PRESSURE - pour sélectionner ON (beep on à chaque appui) ou OFF (beep off).

Max/Min Daily (quotidien)



Appuyer à nouveau sur SET. Appuyer sur WIND + ou PRESSURE - pour activer/désactiver la fonction 'max/min daily' (réglage par défaut : on + réinitialisé tous les jours à 00:00).

Heure/date



Appuyer à nouveau sur SET pour régler l'heure. Appuyer sur WIND + ou PRESSURE - pour régler les valeurs. L'ordre de réglage est :

12/24 h → heure → minutes → DD-MM/MM-DD → année → mois → jour

Pression atmosphérique (Pressure)



- Pression absolue et relative
Maintenir enfoncé PRESSURE - pour sélectionner la pression absolue ou relative.

- Taux de changement et historique de pression
Le taux de variation de pression est indiqué à gauche de la pression barométrique et indique la différence entre la valeur quotidienne moyenne et la valeur moyenne à 30 jours (en hPa).



- Histogramme
Appuyer sur PRESSURE - pour afficher la moyenne des 12, 24, 48 et 72 dernières heures.
- Étalonnage de la pression relative :
Pour comparer les conditions de pression d'un endroit à un autre, les météorologues corrigent la pression au niveau de la mer. Pour déterminer la pression relative à votre emplacement, trouver un point d'observation officiel près de chez vous (Internet est la meilleure source pour les conditions du baromètre en temps réel comme sur Weather.com ou Wunderground.com) et régler votre station météo sur le point d'observation officiel.

Luminosité



Appuyer à nouveau sur SET pour sélectionner l'unité de luminosité (lux, fc, w/ m²; par défaut : w/ m²).

Température



Appuyer à nouveau sur SET pour sélectionner l'unité de la température extérieure (°C ou °F, par défaut : °C).

En mode normal, appuyer sur TEMP. pour afficher le vent, le refroidissement éolien, l'indice de chaleur et le point de rosée. Maintenir enfoncé TEMP. pour enregistrer un nouvel émetteur.

Si la température est inférieure à la plage minimale, l'écran affiche „--.“.

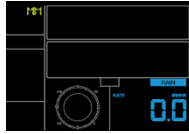
Vitesse du vent



Appuyer sur SET pour sélectionner l'unité de la vitesse du vent (km/h, mph, nœuds, m/s, bft, par défaut : km/h).

En mode normal, appuyer sur WIND + pour afficher le vent, les rafales et la direction du vent.

Précipitations



Appuyer à nouveau sur SET pour sélectionner l'unité des précipitations (in/mm, par défaut : mm).

En mode normal, appuyer sur RAIN pour afficher le taux de précipitation (événement de pluie, quotidien, hebdomadaire, mensuel et total).

Maintenir enfoncé RAIN pour réinitialiser l'affichage actuel des précipitations.

Phase lunaire



Appuyer à nouveau sur SET pour sélectionner l'hémisphère nord ou sud.

6.3 Mode d'alarme

Valeur d'alarme

1. Appuyer sur ALARM pour afficher la valeur d'alarme maximale.



2. Appuyer à nouveau sur ALARM pour afficher la valeur d'alarme minimale.



Appuyer sur RAIN pour sélectionner les valeurs d'alarme pour les précipitations quotidiennes.

Appuyer sur WIND + pour afficher les valeurs d'alarme pour le vent ou les rafales.

Appuyer sur ALARM ou LIGHT/SNOOZE pour revenir au mode normal.

Réglage du mode d'alarme

1. Maintenir enfoncé ALARM pour accéder au mode de réglage.
2. Appuyer sur WIND + ou PRESSURE - pour activer/désactiver les alarmes et régler les valeurs d'alarme.

3. Appuyer sur SET pour confirmer et passer au réglage suivant.
4. Appuyer sur ALARM pour activer/désactiver l'alarme.
Lorsque l'alarme se déclenche, l'icône de l'heure, l'icône de valeur maximale et l'icône de valeur minimale clignotent pour indiquer qu'une alarme a été déclenchée.
5. Appuyer sur ALARM ou LIGHT/SNOOZE pour revenir au mode normal.

L'ordre de réglage est :

l'heure d'alarme → température intérieure élevée → température intérieure basse → humidité intérieure élevée → faible humidité intérieure → température extérieure élevée →
température extérieure basse → humidité extérieure élevée → faible humidité extérieure →
vent fort → taux de précipitation élevé → taux de précipitation quotidien élevé.

6.4 Mode max./min.

1. Appuyez sur MAX/MIN pour afficher les valeurs maximales.



Appuyer sur TEMP. pour afficher les valeurs maximales du vent, du refroidissement éolien, de l'indice de chaleur et du point de rosée.

Appuyer sur RAIN pour afficher le taux de précipitation maximum (quotidien, hebdomadaire, mensuel).

Appuyer sur WIND + pour afficher les valeurs maximales du vent et des rafales.

Maintenir enfoncé PRESSURE - pour afficher la pression relative et absolue maximale.

2. Appuyer sur MAX/MIN pour afficher les valeurs minimales.



Appuyer sur TEMP. pour afficher les valeurs minimales du vent, du refroidissement éolien, de l'indice de chaleur et du point de rosée.

Maintenir enfoncé PRESSURE - pour afficher la pression relative et absolue minimale.

Maintenir enfoncé MAX/MIN pour afficher les valeurs maximales ou minimales.

3. Appuyer sur MAX/MIN ou LIGHT/SNOOZE pour revenir au mode normal.

6.5 Étalonnage

- Maintenir enfoncé TEMP. et MAX/MIN pour accéder au mode d'étalonnage.



Appuyer sur WIND + ou PRESSURE - pour régler les valeurs.
Appuyer sur SET pour confirmer et passer au réglage suivant.
Appuyer sur ALARM pour réinitialiser les valeurs définies.

- Appuyer sur LIGHT/SNOOZE pour quitter le mode d'étalonnage.

L'ordre de réglage est :

ajustement de la température intérieure → ajustement de l'humidité intérieure →
ajustement de la température extérieure → ajustement de l'humidité extérieure →
ajustement de la pression absolue → ajustement de la direction du vent →
facteur de vitesse du vent → ajustement du facteur de précipitation

6.6 Autres fonctions

Réinitialisation aux paramètres d'usine / effacement de la mémoire

- Débrancher l'appareil de la source d'alimentation. Pour ce faire, retirer la fiche secteur et retirer les piles de l'appareil.
- Brancher la fiche secteur de l'appareil sur la prise.
- Attendre jusqu'à ce que la mise sous tension de l'appareil soit terminée.
- Maintenir simultanément WIND + et PRESSURE - pour réinitialiser la station météo aux paramètres d'usine et pour supprimer toutes les données enregistrées et les paramètres d'utilisateur.
- Réinsérer les piles dans l'appareil.

Enregistrer une nouvelle station.

Maintenir enfoncé LIGHT/SNOOZE pour ajouter un nouvel émetteur.

Rétroéclairage

Le rétroéclairage ne s'allume en permanence que lorsque l'adaptateur secteur est branché. Appuyer sur LIGHT/SNOOZE pour régler la luminosité du rétroéclairage.

En mode pile, l'écran passe en mode veille après 15 secondes pour économiser de l'énergie.

Indicateurs de tendance

Les flèches de tendance vous permettent de vérifier rapidement la tendance de la température ou la pression.

flèche		humidité	température	pression atmosphérique
	en augmentation	> 3 %	≥ 1 °C/2 °C	> 1 hPa
	stable	≤ 3 %	< 1 °C/2 °C	≤ 1 hPa
	diminution	> 3 %	≥ 1 °C/2 °C	> 1 hPa

Indicateur signal sans fil

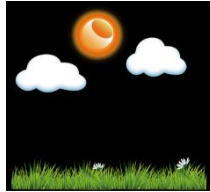
Ce symbole indique la qualité de réception. Si la puissance est maximale, l'indicateur affiche 5 barres. Si le signal est perdu, quatre barres s'affichent.

Prévisions météo

Des symboles de prévisions météorologiques sont utilisés pour indiquer les changements météorologiques. Donner à la station météo au moins un mois pour apprendre à mesurer la pression atmosphérique au fil du temps.



ensoleillé



partiellement ensoleillé



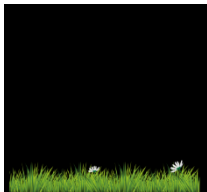
nuageux



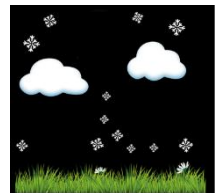
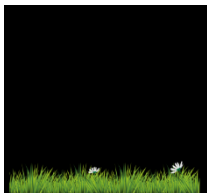
pluvieux



neige



pluie orageuse



tempête de neige

Noter que les prévisions météorologiques ne sont que des prédictions et que les erreurs dans les prédictions sont normales.

Fonction de répétition

A l'heure réglée, l'alarme se déclenche et le symbole clignote pendant 120 secondes. Appuyer sur LIGHT/SNOOZE pour désactiver l'alarme pendant 10 minutes, puis l'alarme retentit à nouveau. Appuyer sur une touche quelconque sauf SNOOZE/LIGHT pour arrêter l'alarme.

7. Connexion internet

Pour plus d'informations, consulter la page du produit sur www.velleman.eu.

8. Entretien

Nettoyage

- Débrancher l'appareil avant chaque nettoyage ou entretien.
- Nettoyer le boîtier de l'appareil avec un chiffon doux imprégné d'un détergent doux. Ne jamais immerger l'appareil dans l'eau ou tout autre liquide. Ne jamais utiliser de solvants ou de détergents contenant du pétrole (essence, kérosène, huile), diluant, térébenthine, alcool ou ammoniac.

Entretien

- Cet appareil ne nécessite aucun entretien particulier. Ne jamais ouvrir le boîtier de l'appareil. L'appareil ne contient aucune pièce réparable par l'utilisateur. L'ouverture ou des tentatives visibles d'ouverture ou de réparation pourraient annuler toutes les garanties ou endommager l'appareil ou provoquer des blessures corporelles.

Stockage

- Ranger l'appareil et ses accessoires dans l'emballage d'origine et dans un endroit propre et sec.

9. Spécifications techniques

température

intérieure de -10 °C à 60 °C

extérieure de -40 °C à 60 °C

résolution intérieure -

résolution extérieure ± 1 °C

humidité

intérieure 10-99 %

extérieure 10-99 %

résolution intérieure +/- 5 %

résolution extérieure +/- 5 %

vent

vitesse éolienne 0-50 m/s

résolution +/- 1 m/s ($v < 5$ m/s), +/- 10 % ($v > 5$ m/s)

pression atmosphérique 700-1100 hPa

intervalle de mesure

à l'intérieur 60 s

à l'extérieur 16 s

portée.....	± 100 (champ libre)
dimensions	
unité principale	188 x 118 x 21 mm
capteur	338 x 296 x 214 mm
poids	
unité de base.....	240 g
capteur	580 g
alimentation unité de base	
adaptateur secteur (incl.)	5 VCC, 1 A
pile (non incl.)	3 x pile LR03
alimentation capteur	
pile (non incl.)	2 x LR6
panneau solaire intégré	
fréquence	
station météo	868.3 MHz
wifi.....	2412-2472 MHz
Radio FM.....	-
DCF.....	-
Puissance RF max.	< 20 mW

N'employer cet appareil qu'avec des accessoires d'origine. Velleman SA ne peut, dans la mesure conforme au droit applicable être tenue responsable des dommages ou lésions (directs ou indirects) pouvant résulter de l'utilisation de cet appareil. Pour plus d'informations concernant cet article et la dernière version de ce mode d'emploi, consulter notre site www.velleman.eu. Les spécifications et le contenu de ce mode d'emploi peuvent être modifiés sans notification préalable.

Déclaration de conformité RED

Par la présente, Velleman SA, déclare que le type d'équipement radioélectrique [WC224] est conforme à la norme 2014/53/EU.

© DROITS D'AUTEUR

Velleman SA est l'ayant droit des droits d'auteur de ce mode d'emploi. Tous droits mondiaux réservés. Toute reproduction, traduction, copie ou diffusion, intégrale ou partielle, du contenu de ce mode d'emploi par quelque procédé ou sur tout support électronique que ce soit est interdite sans l'accord préalable écrit de l'ayant droit.

MANUAL DEL USUARIO

1. Introducción



A los ciudadanos de la Unión Europea

Importantes informaciones sobre el medio ambiente concerniente a este producto

Este símbolo en este aparato o el embalaje indica que, si tira las muestras inservibles, podrían dañar el medio ambiente. No tire este aparato (ni las pilas, si las hubiera) en la basura doméstica; debe ir a una empresa especializada en reciclaje. Devuelva este aparato a su distribuidor o a la unidad de reciclaje local. Respete las leyes locales en relación con el medio ambiente.

Si tiene dudas, contacte con las autoridades locales para residuos.

¡Gracias por elegir Perel! Lea atentamente las instrucciones del manual antes de usar el aparato. Si ha sufrido algún daño en el transporte no lo instale y póngase en contacto con su distribuidor.

2. Instrucciones de seguridad



Lea y comprenda este manual y todas las instrucciones de seguridad antes de usar el aparato.

- Este aparato no es apto para niños menores de 8 años ni para personas con capacidades físicas, sensoriales o mentales reducidas ni para personas con una falta de experiencia y conocimientos del producto, salvo si están bajo la vigilancia de una persona que pueda garantizar la seguridad. Asegúrese de que los niños no jueguen con este dispositivo. Nunca deje que los niños limpien o manipulen el aparato sin supervisión.
- Este producto solo es apto para el ámbito de aplicación descrito en este manual. Utilice este producto solo como está descrito en estas instrucciones.
- No exponga el aparato a temperaturas extremas, vibraciones, etc.
- La unidad principal no es hermética y solo es apta para el uso en interiores. Instálela en un lugar seco y en sombra.
El sensor es apto para el uso y la instalación en exteriores.

3. Normas generales

- Véase la Garantía de servicio y calidad Velleman® al final de este manual del usuario.
- Por razones de seguridad, las modificaciones no autorizadas del aparato están prohibidas. Los daños causados por modificaciones no autorizadas, no están cubiertos por la garantía.
- Utilice sólo el aparato para las aplicaciones descritas en este manual. Su uso incorrecto anula la garantía completamente.
- Los daños causados por descuido de las instrucciones de seguridad de este manual invalidarán su garantía y su distribuidor no será responsable de ningún daño u otros problemas resultantes.
- Ni Velleman nv ni sus distribuidores serán responsables de los daños extraordinarios, ocasionales o indirectos, sea cual sea la índole (financiera, física, etc.), causados por la posesión, el uso o el fallo de este producto.
- Guarde este manual del usuario para cuando necesite consultarlo.

4. Descripción

Véase las figuras en la página 2 de este manual del usuario.

Sensor

1	veleta
2	sensor de velocidad del viento
3	sensor UV
4	sensor termo-higrómetro
5	recipiente de lluvia
6	nivel de burbuja

7	placa solar
8	perno en U
9	compartimento de pilas
10	botón de reinicio (reset)
11	LED

pantalla

1	hora
2	fase lunar
3	presión atmosférica
4	pronóstico del tiempo
5	índice UV
6	intensidad luminosa
7	velocidad del viento
8	dirección del viento
9	max/min diario

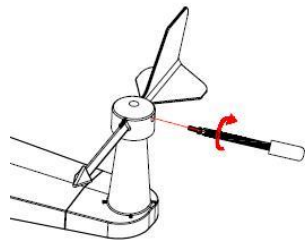
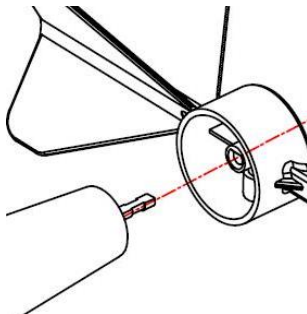
10	lluvia
11	temperatura exterior
12	humedad exterior
13	símbolo RF
14	humedad interior
15	temperatura interior
16	fecha
17	símbolo wifi
18	DST

5. Instalación

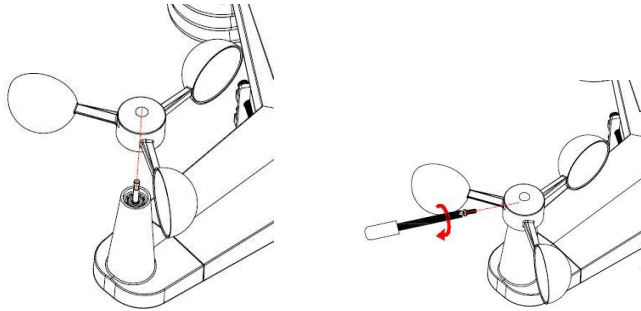
5.1 Sensor

Montar la veleta y el anemómetro

Introduzca la veleta en el vástago y apriete el tornillo. Asegúrese de que la veleta se pueda mover.



Haga lo mismo con el anemómetro.



Alimentar el sensor exterior

El sensor exterior funciona con dos pilas AA/R6. Abra el compartimiento de pilas. Introduzca las baterías y vuelva a cerrar el compartimiento de pilas. Compruebe la polaridad.



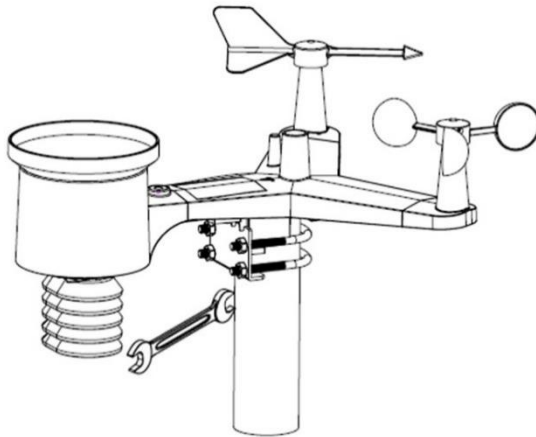
Recomendamos utilizar baterías de litio o pilas alcalinas. No recomendamos el uso de baterías recargables porque tienen tensiones y una capacidad más bajas y no tienen una larga vida útil, lo que causa una recepción reducida.

Sincronizar el sensor y la estación meteorológica

Antes de instalar el sensor exterior, consulte el capítulo **5.2 Sincronizar el sensor y la estación meteorológica** (véase a continuación).

Instalar el sensor exterior

Fije el sensor exterior a un mástil (no incl.) con un diámetro de 1 a 2" (no incl.) utilizando los dos pernos en U, el soporte y las cuatro tuercas.



Monte el sensor de tal manera que las letras de las direcciones del viento (N, E, S y W) coincidan con los puntos cardinales del lugar de montaje. Una instalación incorrecta causará informaciones incorrectas sobre las direcciones del viento. También, utilice el nivel de burbuja junto al sensor de lluvia como guía para asegurarse de que el sensor esté nivelado de forma horizontal.

LED de reinicio/transmisión

Reinicie el sensor exterior si no transmite datos.

1. Utilice un clip para mantener pulsado el botón de reinicio durante tres segundos para descargar completamente el circuito.
2. Quite las pilas del compartimiento de pilas y cubra la placa solar. Espere unos 5 minutos más para asegurarse de que el circuito esté completamente descargado.
3. Vuelva a introducir las baterías y vuelva a sincronizar el sensor exterior y la unidad principal (véase a continuación).

5.2 Estación meteorológica**Introducir las pilas en la estación meteorológica**

Las tres pilas AAA/R03 se utilizan como reserva en caso de interrupción del suministro eléctrico. Abra el compartimiento de pilas. Introduzca las pilas y vuelva a cerrar el compartimiento de pilas. Controle la polaridad.

Enchufe el aparato con el adaptador de red incluido o uno del mismo tipo.

Instalar la estación meteorológica

Instale la estación meteorológica en un lugar seco y en sombra. No lo exponga a luz solar ni lluvia.

5.3 Sincronizar el sensor y la estación meteorológica**Sincronizar el sensor y la estación meteorológica**

Coloque el sensor exterior durante 30 minutos junto a la estación meteorológica. Gire el sensor de velocidad del viento para simular el viento e introduzca agua en el recipiente de lluvia para simular la lluvia.

En cuanto reciba los datos, siga las instrucciones de montaje del sensor exterior.

Obtener la mejora comunicación inalámbrica

Para asegurar una excelente comunicación inalámbrica, monte el sensor exterior en una posición vertical.

Interferencias, distancias, paredes y obstáculos de metal pueden disminuir considerablemente la comunicación inalámbrica. Tenga en cuenta los siguientes puntos:

- Interferencia electromagnética (EMI). No exponga la estación meteorológica a una interferencia electromagnética p.ej. monitores y televisores.
- Interferencia de radiofrecuencia (RFI). Dispositivos que emitan en una frecuencia de 433 MHz pueden afectar la comunicación inalámbrica entre el sensor exterior y la estación meteorológica. Si fuera necesario, colóquelos en otro lugar para evitar interferencias.
- Alcance En caso de un contacto visual directo entre el sensor exterior y la unidad principal, el alcance es de hasta 100 m. Sin embargo, el alcance real es de unos 30 m porque hay obstáculos entre ambos dispositivos.
- Obstáculos de metal. Observación: las radioondas no pueden atravesar obstáculos de metal como por ejemplo el hormigón acerado.

La siguiente lista muestra los diferentes obstáculos y el impacto en la transmisión de la señal.

Obstáculo	Reducción de la señal
cristal	5-15 %
plástico	10-15 %
madera	10-40 %
ladrillo	10-40 %
hormigón	40-80 %
metal	90-100 %

6. Configuración

6.1 Función de los botones

Botón	Descripción
SET	<ul style="list-style-type: none"> Mantenga pulsado este botón para entrar en el modo de configuración.
TEMP.	<ul style="list-style-type: none"> Pulse este botón para visualizar la sensación térmica, la temperatura de bochorno y la temperatura del punto de rocío.
RAIN	<ul style="list-style-type: none"> Pulse este botón para ver la cantidad de lluvia actual, la cantidad de lluvia máx., la cantidad de lluvia desde la medianoche, la cantidad de lluvia de esta semana, la cantidad de lluvia de este mes y la cantidad de lluvia total. Mantenga pulsado este botón durante 2 segundos para reiniciar los valores actuales.
WIND +	<ul style="list-style-type: none"> Pulse este botón para ver la velocidad del viento/ráfagas y la dirección del viento.
PRESSURE -	<ul style="list-style-type: none"> Pulse este botón para ver la presión atmosférica media de las últimas 12, 24, 48 y 72 horas. Mantenga pulsado este botón durante 2 segundos para conmutar entre la presión atmosférica absoluta y relativa.
ALARM	<ul style="list-style-type: none"> Pulse este botón para ver el valor de alarma de temperatura/humedad/ la cantidad de lluvia actual/la cantidad de lluvia desde la medianoche/la velocidad del viento.
MAX/MIN	<ul style="list-style-type: none"> Pulse este botón para ver el valor mín./máx. de la temperatura/ la humedad/la cantidad de lluvia actual/la cantidad de lluvia desde la medianoche/la velocidad del viento/la luz UV/intensidad luminosa/la presión atmosférica absoluta.
LIGHT/SNOOZE	<ul style="list-style-type: none"> Pulse este botón para regular el brillo de la pantalla LCD. Mantenga pulsado este botón para añadir un nuevo transmisor.

Observaciones:

- Pulse el botón WIND + y el botón PRESSURE - simultáneamente para reiniciar la estación meteorológica y para borrar todos los datos grabados. Todos los ajustes de usuario se reinician.
- Pulse el botón TEMP. para saltarse la recepción de la señal RF.
- En el modo de configuración, pulse el botón WIND + o el botón PRESSURE - para ajustar el valor.
- Pulse el botón LIGHT/SNOOZE o espere 30 segundos para salir del modo de configuración.

6.2 Modo de configuración

Mantenga pulsado el botón SET durante dos segundos para entrar en el modo de configuración. La secuencia de visualización es:

Señal acústica



Pulse el botón WIND + o el botón PRESSURE – para activar (sonido cada vez que presione) o desactivar (sonido apagado) el sonido.

Max/Min Diario



Vuelva a pulsar SET. Pulse el botón WIND + o el botón PRESSURE – para activar/desactivar los valores diarios mín./máx. (valor por defecto: activado + se reinicia cada día a las 00:00).

Hora/fecha



Vuelva a pulsar SET para seleccionar la hora. Pulse el botón WIND + o el botón PRESSURE – para ajustar los valores. La secuencia de visualización es:

12/24 h → hour → minute → DD-MM/MM-DD → year → month → day

Presión atmosférica



- Presión atmosférica absoluta y relativa
Mantenga pulsado el botón PRESSURE – para seleccionar la presión atmosférica absoluta o relativa.

- Gráfico para comparar el cambio diario y mensual de la presión atmosférica
Este gráfico está al lado izquierdo de la presión atmosférica y visualiza la diferencia entre la presión atmosférica diaria y mensual media en hPa.



- Histograma de la presión del aire
Pulse el botón PRESSURE – para seleccionar la presión media de las últimas 12/24/48/72 horas.
- Calibración de la presión atmosférica relativa
La presión atmosférica relativa se basa en el nivel del mar. Compruebe el valor de la presión atmosférica sobre el nivel del mar a través del servicio meteorológico local, Internet (p.ej. weather.com o wunderground.com) u otras fuentes.

Intensidad luminosa



Vuelva a pulsar el botón SET para seleccionar la unidad deseada (lux, fc, w/m², valor por defecto: w/m²).

Temperatura



Vuelva a pulsar el botón SET para seleccionar la unidad de la temperatura exterior (°C o °F, valor por defecto: °C).

En el modo de visualización normal, pulse el botón TEMP. para ver la sensación térmica, la temperatura de bochorno y la temperatura del punto de rocío. Mantenga pulsado el botón TEMP. para añadir un transmisor nuevo.

Observación: Cuando se sobrepase el valor mínimo/máximo de la temperatura, se visualizará --.- en la pantalla.

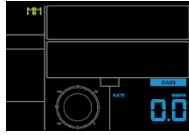
Velocidad del viento



Vuelva a pulsar el botón SET para seleccionar la unidad de velocidad del viento (km/h, mph, knots, m/s, bft, valor por defecto: km/h).

En el modo de visualización normal, pulse el botón WIND + para ver la velocidad del viento/ráfagas y la dirección del viento.

Lluvia



Vuelva a pulsar el botón SET para seleccionar la unidad de lluvia (in/mm, default: mm). En el modo de visualización normal, pulse RAIN para ver la cantidad de lluvia actual, la cantidad de lluvia máx., la cantidad de lluvia desde la medianoche, la cantidad de lluvia de esta semana, la cantidad de lluvia de este mes y la cantidad de lluvia total. Mantenga pulsado el botón RAIN para reiniciar los valores.

Fase lunar



Vuelva a pulsar el botón SET para seleccionar el hemisferio norte o el hemisferio sur.

6.3 Modo de alarma

Alarma

1. Pulse el botón ALARM para visualizar el valor máximo.



2. Pulse el botón ALARM para visualizar el valor mínimo.



Pulse el botón RAIN para conmutar entre la alarma de la cantidad de lluvia actual y la alarma de la cantidad de lluvia desde la medianoche.

Pulse WIND + para conmutar entre la alarma de la velocidad del viento o la alarma de ráfagas.

Pulse el botón ALARM o LIGHT/SNOOZE para volver al modo de visualización normal.

Modos de ajuste de la alarma

1. Mantenga pulsado ALARM para entrar en el modo de ajuste de la alarma.
2. Pulse el botón WIND + o el botón PRESSURE – para activar/desactivar las alertas y ajustar los valores.
3. Pulse el botón SET para confirmar y para ir al ajuste siguiente.
4. Pulse el botón ALARM para activar o desactivar la alarma.
Cuando la alarma esté activada, el símbolo correspondiente, el símbolo del valor máximo y el símbolo del valor mínimo parpadearán.
5. Pulse el botón ALARM o el botón LIGHT/SNOOZE para volver al modo de visualización normal.

La secuencia de visualización es:

hora → temperatura interior máxima → temperatura interior mínima →
 humedad interior máx. → humedad interior mín. → temperatura exterior máx. →
 temperatura exterior mín. → humedad exterior máx. → humedad exterior mín. →
 la velocidad del viento máx. → cantidad de lluvia actual máx. →
 cantidad de lluvia desde la medianoche máx.

6.4 Modo Max/Min

1. Pulse el botón MAX/MIN para visualizar los valores máximos.



Pulse el botón TEMP. para ver el valor máximo de la sensación térmica, la temperatura de bochorno y la temperatura del punto de rocío.

Pulse el botón RAIN para ver el valor máximo de la cantidad de lluvia actual, la cantidad de lluvia desde la medianoche, la cantidad de lluvia de esta semana, la cantidad de lluvia de este mes.

Pulse el botón WIND + para ver el valor máximo de la velocidad del viento y las ráfagas.

Mantenga pulsado el botón PRESSURE – para ver el valor máximo de la presión atmosférica absoluta y la presión atmosférica relativa.

2. Vuelva a pulsar el botón MAX/MIN para visualizar los valores mínimos.



Pulse el botón TEMP. para ver el valor mínimo de la sensación térmica y la temperatura del punto de rocío.

Mantenga pulsado el botón PRESSURE – para ver el valor mínimo de la presión atmosférica absoluta y la presión atmosférica relativa.

Mantenga pulsado el botón MAX/MIN para reiniciar todos los valores máximos y mínimos.

3. Pulse el botón MAX/MIN o el botón LIGHT/SNOOZE para volver al modo de visualización normal.

6.5 Calibración

1. Mantenga pulsado el botón TEMP. y el botón MAX/MIN para entrar en el modo de calibración.



Pulse el botón WIND + o el botón PRESSURE – para ajustar los valores.
 Pulse el botón SET para confirmar y para ir al ajuste siguiente.
 Pulse el botón ALARM para confirmar y para ir al ajuste siguiente.

2. Pulse el botón LIGHT/SNOOZE para salir del modo de calibración.

La secuencia de visualización es:

temperatura interior → humedad interior → temperatura exterior →
 humedad exterior → presión atmosférica absoluta → dirección del viento →
 factor de velocidad del viento → factor de lluvia

6.6 Otras funciones

Volver a la configuración de fábrica/borrar la memoria

1. Desenchufe el aparato y quite las pilas del compartimiento de pilas.
2. Vuelva a enchufar el aparato.
3. Espere hasta que el aparato esté listo para su uso.
4. Mantenga pulsado el botón WIND + y el botón PRESSURE – simultáneamente para reiniciar la estación meteorológica y borrar todos los datos grabados. Todos los ajustes de usuario se reinician.
5. Vuelva a introducir las pilas en el compartimiento de pilas.

Añadir un nuevo transmisor

Mantenga pulsado el botón LIGHT/SNOOZE para añadir un nuevo transmisor.

Retroiluminación

La pantalla solo queda iluminada de forma continua cuando el aparato está enchufado. Ajuste la intensidad luminosa con el botón LIGHT/SNOOZE.

La pantalla solo queda iluminada durante 15 segundos cuando el aparato funciona con pilas.

Flechas de tendencia

Estas flechas visualizan los cambios en la temperatura o la presión atmosférica.

Flecha		humedad	temperatura	presión
↗	subiendo	> 3 %	≥ 1 °C/2 °C	> 1 hPa
→	estable	≤ 3 %	< 1 °C/2 °C	≤ 1 hPa
↘	bajando	> 3 %	≥ 1 °C/2 °C	> 1 hPa

Símbolo de la calidad de recepción de la señal inalámbrica

Este símbolo indica la calidad de recepción. En caso de una buena recepción de la señal, se visualizarán 5 barras. En caso de una pérdida de la señal, se visualizarán 4 barras.

Pronóstico del tiempo

El pronóstico del tiempo consta de diferentes símbolos. Observación:



soleado



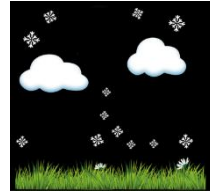
parcialmente nublado



nublado



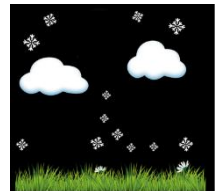
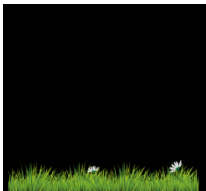
lluvioso



nieve



tormenta con lluvia



tormenta con nieve

Observación: Porque es meramente una previsión son posibles errores.

Función de repetición (snooze)

Cuando se activa la alarma de la hora, el aparato emitirá una señal acústica y el símbolo parpadeará durante 120 segundos. Pulse el botón LIGHT/SNOOZE para interrumpir la alarma durante 10 minutos. La alarma volverá a sonar después de 10 minutos. Pulse cualquier botón salvo el botón LIGHT/SNOOZE para desactivar la alarma.

7. Conexión internet

Para el manual del usuario, visite la página del producto en www.velleman.eu.

8. Cuidado y mantenimiento**Limpieza**

- Desenchufe siempre el aparato antes de realizar cualquier operación de limpieza o de mantenimiento.
- Limpie todas las superficies exteriores de la unidad con un paño suave con agua y jabón. No sumerja ninguna parte de la unidad en agua o cualquier otro líquido. No utilice disolventes o productos de limpieza que contienen petróleo (gas, queroseno, aceite), disolvente de pintura, aguarrás, alcohol o amoníaco.

Mantenimiento

- Este aparato no necesita mantenimiento especial. Nunca abra el aparato. El usuario no habrá de efectuar el mantenimiento de ninguna pieza. No intente abrir ni reparar el aparato, ya que esto puede anular la garantía y/o podría causar daños al producto o lesiones personales.

Almacenamiento

- Almacene el aparato y los accesorios en su embalaje original y en un lugar limpio y seco.

9. Especificaciones

temperatura	
interior	de -10 °C a 60 °C
exterior	de -40 °C a 60 °C
precisión interior	-
precisión exterior	+/- 1 °C
humedad	
interior	10-99 %
exterior	10-99 %
precisión interior	+/- 5 %
precisión exterior	+/- 5 %
viento	
rango de velocidad	0-50 m/s
precisión de velocidad	+/- 1 m/s (v < 5 m/s), +/- 10 % (v > 5 m/s)
presión atmosférica	700-1100 hPa
intervalo	
interior	60 s
en exteriores	16 s
distancia de transmisión	± 100 (al aire libre)

dimensiones	
unidad principal	188 x 118 x 21 mm
sensor	338 x 296 x 214 mm
peso	
unidad principal	240 g
sensor	580 g
alimentación de la unidad principal	
adaptador de red (incl.)	5 VDC, 1 A
pila (no incl.)	3 x pila LR03
alimentación del sensor	
pila (no incl.)	2 x pila LR6
placa solar incorporada	
frecuencia	
estación meteorológica	868.3 MHz
wifi	2412-2472 MHz
radio FM	-
DCF	-
máx. transmisión de RF	< 20 mW

Utilice este aparato sólo con los accesorios originales. Velleman NV no será responsable de daños ni lesiones causados por un uso (indebido) de este aparato. Para más información sobre este producto y la versión más reciente de este manual del usuario, visite nuestra página www.velleman.eu. Se pueden modificar las especificaciones y el contenido de este manual sin previo aviso.

Declaración de conformidad RED

Por la presente, Velleman NV declara que el tipo de equipo de radio WC224 cumple con la norma 2014/53/EU.

© DERECHOS DE AUTOR

Velleman NV dispone de los derechos de autor para este manual del usuario. Todos los derechos mundiales reservados. Está estrictamente prohibido reproducir, traducir, copiar, editar y guardar este manual del usuario o partes de ello sin el consentimiento previo por escrito del propietario del copyright.

BEDIENUNGSANLEITUNG

1. Einführung

An alle Einwohner der Europäischen Union Wichtige Umweltinformationen über dieses Produkt



Dieses Symbol auf dem Produkt oder der Verpackung zeigt an, dass die Entsorgung dieses Produktes nach seinem Lebenszyklus der Umwelt Schaden zufügen kann. Entsorgen Sie die Einheit (oder verwendeten Batterien) nicht als unsortierter Hausmüll; die Einheit oder die verwendeten Batterien müssen von einer spezialisierten Firma zwecks Recycling entsorgt werden. Diese Einheit muss an den Händler oder ein örtliches Recycling-Unternehmen retourniert werden. Respektieren Sie die örtlichen Umweltvorschriften.

Falls Zweifel bestehen, wenden Sie sich für Entsorgungsrichtlinien an Ihre örtliche Behörde.

Vielen Dank, dass Sie sich für Perel entschieden haben! Lesen Sie diese Bedienungsanleitung vor Inbetriebnahme sorgfältig durch. Überprüfen Sie, ob Transportschäden vorliegen. Sollte dies der Fall sein, verwenden Sie das Gerät nicht und wenden Sie sich an Ihren Händler.

2. Sicherheitshinweise



Lesen und begreifen Sie diese Bedienungsanleitung und die Sicherheitshinweise vor Inbetriebnahme.

- Dieses Gerät kann von Kindern ab 8 Jahren und darüber sowie von Personen mit verringerten physischen, sensorischen oder mentalen Fähigkeiten oder Mangel an Erfahrung und Wissen benutzt werden, wenn sie beaufsichtigt oder bezüglich des sicheren Gebrauchs des Gerätes unterwiesen wurden und die daraus resultierenden Gefahren verstehen. Kinder sollten nicht mit dem Gerät spielen. Beachten Sie, dass Kinder das Gerät nicht reinigen oder bedienen.
- Das Produkt eignet sich ausschließlich für den in dieser Anleitung beschriebenen Einsatzbereich. Verwenden Sie das Produkt nicht anders, als in dieser Anleitung beschrieben wird.
- Setzen Sie das Gerät keinen extremen Temperaturen, Vibrationen usw. aus.
- Die Basisstation ist nicht wetterfest und eignet sich deshalb nur für die Anwendung in geschlossenen Räumen. Installieren Sie die Basisstation an einem trockenen Ort im Schatten.
Der Außensensor kann im Außenbereich betrieben und aufgestellt werden.

3. Allgemeine Richtlinien

- Siehe Velleman® Service- und Qualitätsgarantie am Ende dieser Bedienungsanleitung.
- Eigenmächtige Veränderungen sind aus Sicherheitsgründen verboten. Bei Schäden verursacht durch eigenmächtige Änderungen erlischt der Garantieanspruch.
- Verwenden Sie das Gerät nur für Anwendungen beschrieben in dieser Bedienungsanleitung. Bei falscher Anwendung dieses Gerätes erlischt der Garantieanspruch.
- Bei Schäden, die durch Nichtbeachtung der Bedienungsanleitung verursacht werden, erlischt der Garantieanspruch. Für daraus resultierende Folgeschäden übernimmt der Hersteller keine Haftung.

- Weder Velleman nv noch die Händler können für außergewöhnliche, zufällige oder indirekte Schäden irgendwelcher Art (finanziell, physisch, usw.), die durch Besitz, Gebrauch oder Defekt verursacht werden, haftbar gemacht werden.
- Bewahren Sie diese Bedienungsanleitung für künftige Einsichtnahme auf.

4. Beschreibung

Siehe Abbildungen, Seite 2 dieser Bedienungsanleitung.

Sensor

1	Windfahne
2	Windgeschwindigkeitssensor
3	UV-Sensor
4	Temperatur-/Luftfeuchtigkeitssensor
5	Regen-Auffangbehälter
6	Wasserwaage

7	Solarmodul
8	U-Bolzen
9	Batteriefach
10	Taste Reset
11	LED

Display

1	Uhrzeit
2	Mondphasen
3	Luftdruck
4	Wettervorhersage
5	UV-Index
6	Licht
7	Windgeschwindigkeit
8	Windrichtung
9	max/min täglich

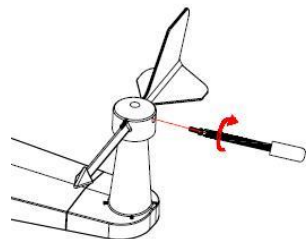
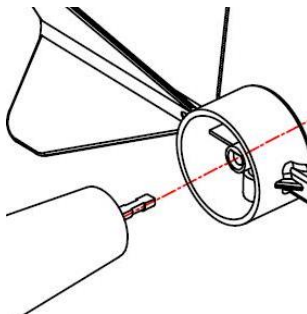
10	Niederschlagsmenge
11	Außentemperatur
12	Luftfeuchtigkeit (außen)
13	RF-Symbol
14	Luftfeuchtigkeit (innen)
15	Innentemperatur
16	Datum
17	Wi-Fi-Symbol
18	DST

5. Installation

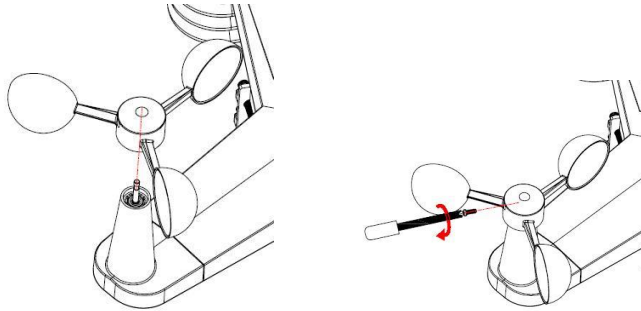
5.1 Sensor

Windfahne und Anemometer montieren

Drücken Sie die Windfahne in den Schaft und ziehen Sie die Schraube fest. Beachten Sie, dass sich die Windfahne frei drehen kann.



Befestigen Sie nun das Anemometer.



Batterien in den Außensensor einlegen

Der Außensensor wird mit zwei AA/R6-Batterien betrieben. Öffnen Sie das Batteriefach. Legen Sie die Batterien polungsrichtig ein und schließen Sie das Batteriefach wieder.



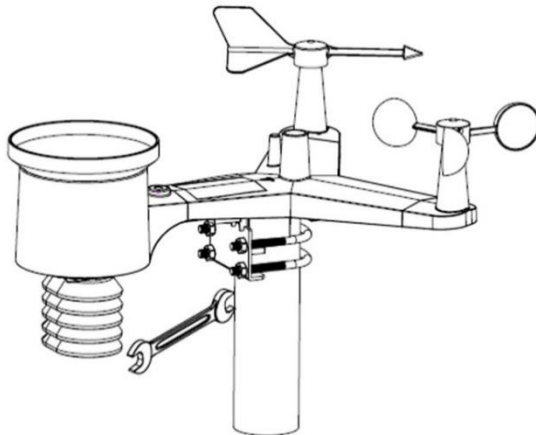
Wir empfehlen Ihnen, Lithium- oder Alkali-Mangan-Batterien zu verwenden. Der Betrieb des Außensensors mit Akkus ist nicht empfohlen, weil sich die Betriebsdauer durch die geringere Spannung und die Kälteempfindlichkeit der Akkus verkürzt.

Außensensor und Wetterstation synchronisieren

Bevor Sie den Außensensor an dessen finalem Standort montieren, sollten Sie das Kapitel **5.2 Außensensor und Wetterstation synchronisieren** lesen.

Außensensor installieren

Mit den zwei beiliegenden U-Bolzen, der Halterung und den vier Muttern lässt sich den Außensensor an einen Mast mit einem Durchmesser von 1 - 2" (nicht im Lieferumfang enthalten) montieren.



Installieren Sie den Sensor so, dass die Buchstaben (N, E, S und W) genau den tatsächlichen Himmelsrichtungen am Standort entsprechen. Wird der Sensor falsch installiert, dann wird die Himmelsrichtung, aus welcher der Wind kommt, immer falsch angezeigt werden. Verwenden Sie die Wasserwaage neben dem Regen-Auffangbehälter, um sicherzustellen, dass der Außensensor möglichst waagrecht ausgerichtet ist.

Außensensor zurücksetzen / Übertragungs-LED

Setzen Sie den Außensensor zurück, wenn er keine Daten sendet.

1. Biegen Sie eine Büroklammer auf und halten Sie die Reset-Taste am Sensor für 3 Sekunden gedrückt, um die Spannung vollständig zu entladen.
2. Entnehmen Sie die Batterien aus dem Batteriefach und decken Sie die Solarzelle ab. Warten Sie nun noch 5 Minuten, um eine vollständige Entladung zu gewährleisten.
3. Legen Sie die Batterien wieder ein und synchronisieren Sie den Sensor und die Basisstation erneut (siehe unten).

5.2 Wetterstation**Batterien in die Wetterstation einlegen**

Die drei AAA/R03-Batterien dienen ausschließlich zur Notstromversorgung bei Stromausfall. Öffnen Sie das Batteriefach. Legen Sie die Batterien polungsrichtig ein und schließen Sie das Batteriefach wieder.

Verwenden Sie nur das beiliegende Netzteil oder eines gleichen Typs.

Wetterstation aufstellen

Stellen Sie das Gerät in Innenräumen auf. Installieren Sie es an einem trockenen Ort im Schatten und setzen Sie es keinem direkten Sonnenlicht oder Regen aus.

5.3 Außensensor und Wetterstation synchronisieren**Außensensor und Wetterstation synchronisieren**

Stellen Sie den Außensensor und die Wetterstation für 30 Minuten in der Nähe voneinander auf. Simulieren Sie Wind durch Drehen des Windgeschwindigkeitssensor und simulieren Sie Regen durch Einfüllen von Wasser in den Regen-Auffangbehälter.

Wenn Sie Messwerte erhalten, können Sie den Außensensor fest installieren.

Optimaler Empfang des Funksignals

Für einen optimalen Empfang des Funksignals, sollten Sie den Außensensor vertikal montieren.

Die Reichweite kann durch Störungen, Wände und die Nähe zu metallischen Gegenständen usw. erheblich verringert werden. Beachten Sie Folgendes:

- Elektromagnetische Störung (EMI). Halten Sie die Wetterstation von elektromagnetischen Störungen (z.B. Monitor, Fernseher) fern.
- Hochfrequenzstörungen (RFI). Auf 433 MHz arbeitende Geräte verringern die Reichweite der Übertragung des Funksignals zwischen dem Sensor und der Wetterstation. Ist dies der Fall, installieren Sie diese Geräte dann an einem anderen Standort, um Interferenzen zu vermeiden.
- Reichweite Bei direktem Sichtkontakt zwischen Außensensor und Wetterstation beträgt die Reichweite bis zu 100 m. Die tatsächlich erzielbare Reichweite ist jedoch ± 30 m, da sich zwischen beiden Geräten störende Einflüsse befinden.
- Metallbarrieren. Die Nähe zu Metallteilen (z.B. Stahlbeton) ist ein weiterer Störeinfluss, der die Reichweite stark verringert.

Folgende Tabelle zeigt die unterschiedlichen Einflüsse auf die Funkübertragung.

Hindernis	Verringerung des Funksignals
Glas	5-15 %
Kunststoff	10-15 %
Holz	10-40 %
Ziegel	10-40 %
Beton	40-80 %
Metall	90-100 %

6. Einstellungen

6.1 Funktion der Tasten

Taste	Beschreibung
SET	<ul style="list-style-type: none"> Halten Sie diese Taste gedrückt, um in den Konfigurationsmodus zu wechseln.
TEMP.	<ul style="list-style-type: none"> Drücken Sie diese Taste, um den Windchill, den Hitzeindex und den Taupunkt anzuzeigen.
RAIN	<ul style="list-style-type: none"> Drücken Sie diese Taste, um zwischen der Anzeige von derzeitiger Niederschlagsrate, max. Regenmenge, Regenmenge seit Mitternacht, bisheriger Regenmenge dieser Woche, bisheriger Regenmenge dieses Monats und gesamter Regenmenge zu wählen. Halten Sie die Taste RAIN für 2 Sekunden halten, um die Anzeige der derzeitigen Niederschlagsrate zurückzusetzen.
WIND +	<ul style="list-style-type: none"> Drücken Sie diese Taste, um die Windgeschwindigkeit/Böen und die Windrichtung anzuzeigen.
PRESSURE -	<ul style="list-style-type: none"> Drücken Sie diese Taste, um die absolute Durchschnittswerte des Luftdrucks der letzten 12, 24, 48 und 72 Stunden anzuzeigen. Halten Sie diese Taste für 2 Sekunden gedrückt, um zwischen der Anzeige von absolutem und relativem Luftdruck zu wechseln.
ALARM	<ul style="list-style-type: none"> Drücken Sie diese Taste, um den Alarmwert von Temperatur/Feuchtigkeit/ derzeitige Niederschlagsrate/Regenmenge seit Mitternacht/Windgeschwindigkeit anzuzeigen.
MAX/MIN	<ul style="list-style-type: none"> Drücken Sie diese Taste, um den minimalen und maximalen Wert von Temperatur/ Feuchtigkeit/derzeitiger Niederschlagsrate/Regenmenge seit Mitternacht/UV-Strahlung/Lichtintensität/absolutem Luftdruck anzuzeigen.
LIGHT/SNOOZE	<ul style="list-style-type: none"> Drücken Sie diese Taste, um die Helligkeit des LC-Displays anzupassen. Halten Sie diese Taste gedrückt, um einen neuen Sender zu hinzuzufügen.

Bemerkungen:

- Drücken Sie die Taste WIND + und die Taste PRESSURE – gleichzeitig, um die Wetterstation auf Werkseinstellungen zurückzusetzen und alle Werte aus dem Speicher zu löschen. Alle Benutzereinstellungen werden auf Werkseinstellungen zurückgesetzt.
- Drücken Sie die Taste TEMP., um den Empfang des RF-Signals zu überspringen.

- Im Konfigurationsmodus, drücken Sie die Taste WIND + oder die Taste PRESSURE –, um den Wert einzustellen.
- Drücken Sie die Taste LIGHT/SNOOZE oder warten Sie 30 Sekunden, um den Konfigurationsmodus zu verlassen.

6.2 Konfigurationsmodus

Halten Sie SET für 2 Sekunden gedrückt, um in den Konfigurationsmodus zu gelangen. Die Grundeinstellungen können nun in dieser Reihenfolge vorgenommen werden.

Tastenton



Drücken Sie die Taste WIND + oder PRESSURE –, um die Tastentöne einzuschalten (der Signalton ertönt immer, wenn eine Taste gedrückt wird) oder auszuschalten.

Max/Min täglich



Drücken Sie wieder auf die Taste SET. Drücken Sie die Taste WIND + oder PRESSURE –, um die täglichen Min/Max-Werte ein- bzw. auszuschalten (Standardeinstellung: ein + wird jeden Tag um 00:00 zurückgesetzt).

Zeit/Datum



Drücken Sie wieder auf die Taste SET, um die Uhrzeit einzustellen. Drücken Sie die Taste WIND + oder PRESSURE –, um die Werte einzustellen. Die Messwerte werden in folgender Reihenfolge angezeigt:

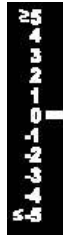
12/24-Stunden-Format → Stunde → Minute → TT-MM/MM-TT → Jahr → Monat → Tag

Luftdruck



- Absoluter und relativer Luftdruck
Halten Sie die Taste PRESSURE – gedrückt, um den absoluten oder den relativen Luftdruck auszuwählen.

- Grafik zum Vergleichen der täglichen und monatlichen Luftdruckänderung
Diese Grafik wird links vom barometrischen Druck angezeigt und bedeutet die Differenz zwischen dem durchschnittlichen und dem monatlichen Mittelwert in hPa.



- Histogramm
Drücken Sie die Taste PRESSURE -, um den Mittelwert des Luftdrucks der vergangenen 12 /24 /48 /72 Stunden auszuwählen.
- Kalibrierung des relativen Luftdrucks
Der relative Luftdruck basiert auf dem Meeresspiegel. Bringen Sie den Wert für den Luftdruck über dem Meeresspiegel über den lokalen Wetterdienst in Ihrer Nähe, das Internet (z.B. weather.com oder wunderground.com) oder eine andere Quelle in Erfahrung.

Licht



Drücken Sie wieder auf die Taste SET, um die Lichteinheit (lux, fc, w/m², Standardeinstellung: w/m²) auszuwählen.

Temperatur



Drücken Sie wieder auf die Taste SET, um die Einheit der Außentemperatur (°C oder °F, Standardeinstellung: °C) auszuwählen.

Im normalen Anzeigemodus, drücken Sie die Taste TEMP., um den Windchill, den Hitzeindex und den Taupunkt anzuzeigen. Halten Sie die Taste TEMP. gedrückt, um einen neuen Sender hinzuzufügen.

Falls der Grenzwert der Temperatur überschritten bzw. unterschritten wird, dann erscheint --.- auf dem Display.

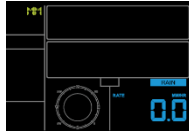
Windgeschwindigkeit



Drücken Sie wieder auf die Taste SET, um die Einheit der Windgeschwindigkeit (km/h, mph, knots, m/s, bft, Standardeinstellung: km/h) auszuwählen

Im normalen Anzeigemodus, drücken Sie die Taste WIND +, um die Windgeschwindigkeit/Böen und die Windrichtung anzuzeigen.

Regenfall



Drücken Sie wieder auf die Taste SET, um die Einheit des Regenfalls (in/mm, Standardeinstellung: mm) anzuzeigen.

Im normalen Anzeigemodus, drücken Sie die Taste RAIN, um zwischen der Anzeige von derzeitiger Niederschlagsrate, max. Regenmenge, Regenmenge seit Mitternacht, bisheriger Regenmenge dieser Woche, bisheriger Regenmenge dieses Monats und totaler Regenmenge zu wählen.

Halten Sie RAIN gedrückt, um die Werte zurückzusetzen.

Mondphasen



Drücken Sie wieder auf die Taste SET, um die nördliche oder die südliche Hemisphäre auszuwählen.

6.3 Alarmmodus

Alarmwert

1. Drücken Sie die Taste ALARM, um den maximalen Messwert anzuzeigen.



2. Drücken Sie wieder auf die Taste ALARM, um den minimalen Messwert anzuzeigen.



Drücken Sie die Taste RAIN, um zwischen dem Alarm für die derzeitige Niederschlagsrate und dem Alarm für die Regenmenge seit Mitternacht zu wechseln.

Drücken Sie die Taste WIND +, um zwischen dem Alarm für die Windgeschwindigkeit und dem Böen-Alarm zu wechseln.

Drücken Sie die Taste ALARM oder LIGHT/SNOOZE, um zum normalen Anzeigemodus zurückzukehren.

Einstellung der Alarmmodi

1. Halten Sie die Taste ALARM gedrückt, um in den Alarm-Konfigurationsmodus zu wechseln.
2. Drücken Sie die Taste WIND + oder die Taste PRESSURE -, um den Alarm ein-/auszuschalten und die Alarmwerte anzupassen.
3. Drücken Sie die Taste SET, um zu bestätigen und zur nächsten Einstellung zu gelangen.
4. Drücken Sie die Taste ALARM, um den Alarm ein- oder auszuschalten.
Wird der Alarm ausgelöst, dann fängt das entsprechende Symbol, das Symbol für den maximalen Messwert und das Symbol für den minimalen Messwert an zu blinken.
5. Drücken Sie die Taste ALARM oder LIGHT/SNOOZE, um zum normalen Anzeigemodus zurückzukehren.

Reihenfolge der Alarmeinstellungen

Zeit Alarm → max. Innentemperatur → min. Innentemperatur →
 max. Luftfeuchtigkeit im Innenbereich → min. Luftfeuchtigkeit im Innenbereich →
 max. Außentemperatur → min. Außentemperatur →
 max. Luftfeuchtigkeit im Außenbereich → min. Luftfeuchtigkeit im Außenbereich →
 max. Windgeschwindigkeit → max. derzeitige Niederschlagsrate →
 max. Regenmenge seit Mitternacht

6.4 Modus Max/Min

1. Drücken Sie die Taste MAX/MIN, um die maximalen Messwerte anzuzeigen.



Drücken Sie die Taste TEMP., um die maximalen Messwerte von Windchill, Hitzeindex und Taupunkt anzuzeigen.

Drücken Sie auf die Taste RAIN, um die maximalen Messwerte von derzeitiger Niederschlagsrate, Regenmenge seit Mitternacht, bisheriger Regenmenge dieser Woche, bisheriger Regenmenge dieses Monats und totaler Regenmenge anzuzeigen.

Drücken Sie die Taste WIND +, um die maximalen Messwerte von der Windgeschwindigkeit und den Böen anzuzeigen.

Halten Sie die Taste PRESSURE -, um die maximalen Messwerte von absolutem und relativem Luftdruck anzuzeigen.

2. Drücken Sie erneut die Taste MAX/MIN, um die minimalen Messwerte anzuzeigen.



Drücken Sie auf die Taste TEMP., um die minimalen Messwerte von Windchill und Taupunkt anzuzeigen.

Halten Sie die Taste PRESSURE –, um die minimalen Messwerte von absolutem und relativem Luftdruck anzuzeigen.

Halten Sie die Taste MAX/MIN gedrückt, um alle maximalen/minimalen Messwerte zurückzusetzen.

3. Drücken Sie die Taste MAX/MIN oder LIGHT/SNOOZE, um zum normalen Anzeigemodus zurückzukehren.

6.5 Kalibrierung

1. Halten Sie die Taste TEMP. und die Taste MAX/MIN gedrückt, um in den Kalibrierungsmodus zu wechseln.



Drücken Sie die Taste WIND + oder PRESSURE –, um die Werte einzustellen. Drücken Sie die Taste SET, um zu bestätigen und zur nächsten Einstellung zu gelangen.

Drücken Sie die Taste ALARM, um die eingestellten Werte zurückzusetzen.

2. Drücken Sie die Taste LIGHT/SNOOZE, um den Kalibrierungsmodus zu verlassen.

Die Messwerte werden in folgender Reihenfolge angezeigt:

Innentemperatur → Luftfeuchtigkeit im Innenbereich → Außentemperatur →
Luftfeuchtigkeit im Außenbereich → absoluter Luftdruck →
Kalibrierung der Windrichtung → Windgeschwindigkeitsfaktor → Niederschlagsfaktor

6.6 Andere Funktionen

Auf Werkseinstellungen zurücksetzen/Speicher löschen

1. Entnehmen Sie die Batterien aus dem Batteriefach und ziehen Sie den Netzstecker aus der Steckdose, um das Gerät von der Stromquelle zu trennen.
2. Stecken Sie den Netzstecker nun wieder in die Steckdose.
3. Warten Sie bis das Gerät betriebsbereit ist.
4. Halten Sie die Taste WIND + und PRESSURE – gleichzeitig gedrückt, um die Wetterstation auf Werkseinstellungen zurückzusetzen und alle Daten zu löschen. Alle Benutzereinstellungen werden auf Werkseinstellungen zurückgesetzt.
5. Legen Sie die Batterien wieder ein.

Einen neuen Sender hinzufügen

Halten Sie die Taste LIGHT/SNOOZE gedrückt, um einen neuen Sender hinzuzufügen.




Hintergrundbeleuchtung

Betreiben Sie das Gerät mit dem Netzteil, dann leuchtet die Hintergrundbeleuchtung permanent. Stellen Sie die Helligkeit der Hintergrundbeleuchtung mit der Taste LIGHT/SNOOZE ein.

Bei Batteriebetrieb wird die Hintergrundbeleuchtung während 15 Sekunden aktiviert.

Trendanzeige

Diese Pfeile zeigen die Veränderungen in Temperatur und Luftdruck.

Pfeil		Feuchte	Temperatur	Druck
	steigend	> 3 %	≥ 1 °C/2 °C	> 1 hPa
	konstant	≤ 3 %	< 1 °C/2 °C	≤ 1 hPa
	fallend	> 3 %	≥ 1 °C/2 °C	> 1 hPa

Symbol für die Funksignalstärke

Die Empfangsqualität wird angezeigt. Gibt es kein Signalverlust, dann werden 5 Balken angezeigt. Bei einmaligem Signalverlust, werden vier Balken angezeigt.

Wettervorhersage

Die Wettervorhersage wird mit Symbolen angezeigt. Die Wetterstation benötigt mindestens einen Monat, um den Luftdruck mit der Zeit erfassen zu lernen.



sonnig



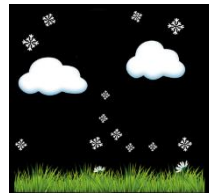
teilweise bewölkt



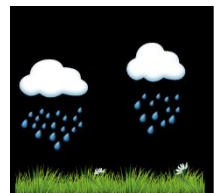
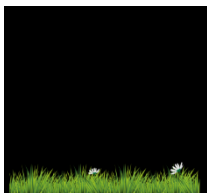
bewölkt



regnerisch



verschneit



stürmisch (Regen)



stürmisch (Schnee)

Bemerkung: Bei der Wettervorhersage sind Fehler möglich.

Schlummerfunktion (Snooze)

Wenn der Zeit Alarm ausgelöst wird, ertönt ein Warnsignal und blinkt das Alarmsymbol für 120 Sekunden. Drücken Sie die Taste LIGHT/SNOOZE, um den Alarm für 10 Minuten auszuschalten. Das Alarmsignal ertönt nach Ablauf dieser Zeit wieder. Drücken Sie eine beliebige Taste außer LIGHT/SNOOZE, um den Alarm zu stoppen.

7. Internetzugang

Die Online-Bedienungsanleitung finden Sie hier: www.velleman.eu.

8. Pflege und Wartung

Reinigung

- Ziehen Sie vor jeder Reinigung oder Wartung immer den Stecker aus der Steckdose.
- Reinigen Sie die Außenseite des Gerätes mit einem leicht mit Wasser und Seife angefeuchteten, sanften Tuch mit ein bisschen Seife und Wasser. Tauchen Sie das Gerät niemals in Wasser oder eine andere Flüssigkeit ein. Verwenden Sie niemals Lösungs- oder Reinigungsmittel, die Petroleum (Benzin, Kerosin, Öl), Verdünner, Terpentin, Alkohol oder Ammoniak enthalten.

Wartung

- Das Gerät erfordert keine besondere Wartung. Öffnen Sie niemals das Gerät. Es gibt keine zu wartenden Teile. Versuchen Sie unter keinen Umständen, das Gehäuse des Gerätes zu öffnen oder das Gerät selbst zu reparieren. Dies kann das Gerät beschädigen oder Verletzungen verursachen.

Aufbewahrung

- Bewahren Sie das Gerät immer in der Originalverpackung und an einem trockenen und sauberen Ort auf.

9. Technische Daten

Temperatur

im Innenbereich	-10 °C bis 60 °C
im Außenbereich	-40 °C bis 60 °C
Genauigkeit im Innenbereich	-
Genauigkeit im Außenbereich	+/- 1 °C

Feuchte	
im Innenbereich	10-99 %
im Außenbereich	10-99 %
Genauigkeit im Innenbereich	+/- 5 %
Genauigkeit im Außenbereich	+/- 5 %
Wind	
Bereich der Geschwindigkeit	0-50 m/s
Genauigkeit der Geschwindigkeit	+/- 1 m/s (v < 5 m/s), +/- 10 % (v > 5 m/s)
Luftdruck.....	700-1100 hPa
Intervall	
im Innenbereich	60 s
im Außenbereich	16 s
Reichweite	± 100 (im Freifeld)
Abmessungen	
Basisstation	188 x 118 x 21 mm
Sensor	338 x 296 x 214 mm
Gewicht	
Basisstation	240 g
Sensor	580 g
Stromversorgung Basisstation	
Netzteil (im Lieferumfang enthalten)	5 VDC, 1 A
Batterie (nicht im Lieferumfang enthalten)	3 x LR03-Batterie
Stromversorgung Sensor	
Batterie (nicht im Lieferumfang enthalten)	2 x LR6-Batterie mit Solarmodul
Frequenz	
Wetterstation.....	868.3 MHz
WiFi.....	2412-2472 MHz
UKW-Radio	-
DCF	-
max. RF-Sendeleistung	< 20 mW

Verwenden Sie dieses Gerät nur mit originellen Zubehörteilen. Velleman NV übernimmt keine Haftung für Schaden oder Verletzungen bei (falscher) Anwendung dieses Gerätes. Mehr Informationen zu diesem Produkt und die neueste Version dieser Bedienungsanleitung finden Sie hier: www.velleman.eu. Alle Änderungen ohne vorherige Ankündigung vorbehalten.

RED Konformitätserklärung

Hiermit erklärt Velleman NV, dass sich dieses Produkt in Übereinstimmung mit der Richtlinie 2014/53/EU befindet.

© URHEBERRECHT

Velleman NV besitzt das Urheberrecht für diese Bedienungsanleitung. Alle weltweiten Rechte vorbehalten. Ohne vorherige schriftliche Genehmigung des Urhebers ist es nicht gestattet, diese Bedienungsanleitung ganz oder in Teilen zu reproduzieren, zu kopieren, zu übersetzen, zu bearbeiten oder zu speichern.

INSTRUKCJA OBSŁUGI

1. Wstęp

Dotyczy mieszkańców Unii Europejskiej.

Ważne informacje dotyczące środowiska.



Niniejszy symbol umieszczony na urządzeniu bądź opakowaniu wskazuje, że utylizacja produktu może być szkodliwa dla środowiska. Nie należy wyrzucać urządzenia (lub baterii) do zbiorczego pojemnika na odpady komunalne, należy je przekazać specjalistycznej firmie zajmującej się recyklingiem. Niniejsze urządzenie należy zwrócić dystrybutorowi lub lokalnej firmie świadczącej usługi recyklingu. Przestrzegać lokalnych zasad dotyczących środowiska

W razie wątpliwości należy skontaktować się z lokalnym organem odpowiedzialnym za utylizację odpadów.

Dziękujemy za wybór produktu firmy Perel! Prosimy o dokładne zapoznanie się z instrukcją obsługi przed użyciem urządzenia. Nie montować ani nie używać urządzenia, jeśli zostało uszkodzone podczas transportu - należy skontaktować się ze sprzedawcą.

2. Wskazówki bezpieczeństwa



Przed zastosowaniem urządzenia należy zapoznać się z niniejszą instrukcją oraz symbolami bezpieczeństwa.

- Z niniejszego urządzenia mogą korzystać dzieci powyżej 8 roku życia i osoby o ograniczonych zdolnościach fizycznych, zmysłowych bądź umysłowych, jak również osoby nieposiadające doświadczenia lub znajomości urządzenia, jeśli znajdują się one pod nadzorem innych osób lub jeśli zostały pouczone na temat bezpiecznego sposobu użycia urządzenia oraz zdają sobie sprawę ze związanych z nim zagrożeń. Dzieci nie mogą używać urządzenia do zabawy. Prace związane z czyszczeniem i konserwacją nie mogą być wykonywane przez dzieci pozostawione bez nadzoru.
- Należy używać produktu wyłącznie do celów opisanych w niniejszej instrukcji. Należy używać produktu wyłącznie w sposób opisany w niniejszej instrukcji.
- Nie narażać urządzenia na ekstremalne temperatury, wibracje lub wstrząsy.
- Wewnętrzna jednostka główna nie jest wodoszczelna i powinna być użytkowana wyłącznie wewnątrz. Należy wybrać suche i zacienione miejsce montażu nadajnika. Czujnik zewnętrzny może być używany i montowany na zewnątrz.

3. Informacje ogólne

- Proszę zapoznać się z informacjami w części Usługi i gwarancja jakości Velleman® na końcu niniejszej instrukcji.
- Wprowadzanie zmian w urządzeniu jest zabronione ze względów bezpieczeństwa. Uszkodzenia spowodowane zmianami wprowadzonymi przez użytkownika nie podlegają gwarancji.
- Stosować urządzenie wyłącznie zgodnie z przeznaczeniem. Używanie urządzenia w niedozwolony sposób spowoduje unieważnienie gwarancji.
- Gwarancja nie obejmuje uszkodzeń spowodowanych nieprzestrzeganiem niniejszej instrukcji, a sprzedawca nie ponosi odpowiedzialności za wyniki uszkodzenia lub problemy.
- Firma Velleman ani jej dystrybutorzy nie ponoszą odpowiedzialności za jakiegokolwiek szkody (nadzwyczajne, przypadkowe lub pośrednie) dowolnej natury (finansowe, fizyczne...), wynikające z posiadania, użytkowania lub awarii niniejszego produktu.
- Zachować niniejszą instrukcję na przyszłość.

4. Przegląd

Patrz ilustracje na stronie 2 niniejszej instrukcji.

Czujnik

1	wiatrowskaz
2	czujnik prędkości wiatru
3	czujnik UV
4	czujnik termo-higro
5	kolektor deszczu
6	poziomica

7	panel słoneczny
8	śruba „U”
9	gniazdo baterii
10	przycisk resetowania
11	wskaznik LED

Wyświetlacz

1	czas
2	faza księżyca
3	ciśnienie atmosferyczne
4	prognoza pogody
5	indeks UV
6	światło
7	prędkość wiatru
8	kierunek wiatru
9	dobowe wartości maks./min.

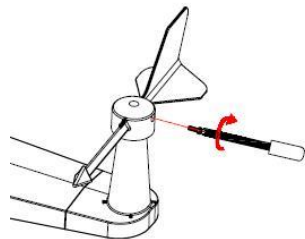
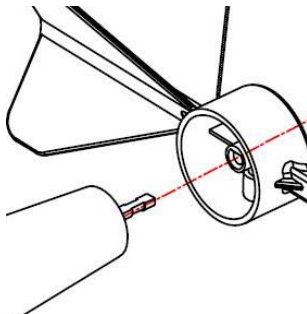
10	opady deszczu
11	temperatura zewnętrzna
12	wilgotność zewnętrzna
13	ikona RF
14	wilgotność wewnętrzna
15	temperatura wewnętrzna
16	data
17	ikona wifi
18	DST

5. Montaż

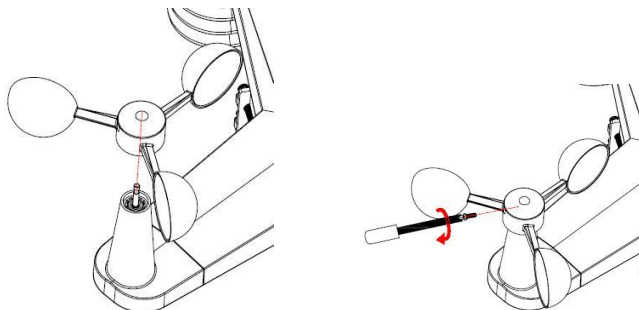
5.1 Czujnik

Montaż wiatrowskazu i anemometru

Wsunąć wiatrowskaz na wałek i dokręcić śrubę. Upewnić się, że wiatrowskaz będzie się swobodnie kręcić.



Wykonać te same czynności dla anemometru.



Zasilanie czujnika zewnętrznego

Czujnik zewnętrzny wymaga dwóch baterii AA/R6. Otworzyć gniazdo baterii stacji pogodowej. Włożyć baterię, zwracając uwagę na prawidłową biegunowość, i zamknąć pokrywę.



Zalecamy stosowanie baterii litowych lub alkalicznych. Akumulatory nie są zalecane, ponieważ mają niższe napięcia, nie pracują dobrze w szerokim zakresie temperatur i nie są wytrzymałe, co powoduje gorszy odbiór.

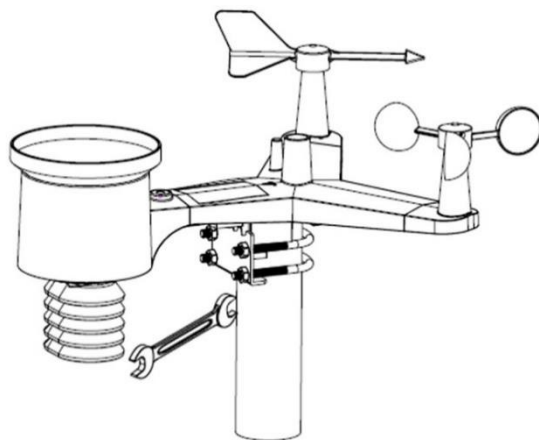
Synchronizacja czujnika i stacji pogodowej

Przed montażem czujnika zewnętrznego należy zapoznać się z rozdziałem **5.2**

Synchronizacja czujnika i stacji pogodowej poniżej.

Montaż czujnika zewnętrznego

Zestaw montażowy składa się z dwóch śrub w kształcie litery U i wspornika, który zaciska się wokół słupa o średnicy od 1 do 2" (brak w zestawie) przy użyciu czterech nakrętek.



Zamontować czujnik tak, aby kierunki wiatru (N, E, S i W) na czujniku odpowiadały faktycznym stronom świata. Gdy czujnik jest nieprawidłowo zamontowany, będą występować stałe błędy kierunku wiatru. Przy czujniku deszczu należy użyć także poziomicę jako wskaźnika pozwalającego zweryfikować, czy czujnik jest ustawiony w poziomie.

Dioda LED resetowania/transmisji

Zresetować czujnik zewnętrzny w mało prawdopodobnym przypadku, gdy nie przekazuje informacji.

1. Za pomocą otwartego spinacza biurowego, nacisnąć i przytrzymać przycisk resetowania na czujniku przez trzy sekundy, aby całkowicie rozładować jego obwód.
2. Wyjąć baterie z komory baterii i przykryć panel słoneczny. Pozostawić czujnik w stanie spoczynku przez 5 minut, co spowoduje upływ napięcia.
3. Ponownie włożyć baterie i zsynchronizować z konsolą (patrz poniżej).

5.2 Stacja pogodowa**Zasilanie stacji pogodowej**

Stacja pogodowa wymaga trzech baterii AAA/R03 jako awaryjnego źródła zasilania w razie przerwy w zasilaniu. Otworzyć gniazdo baterii stacji pogodowej. Włożyć baterie, zwracając uwagę na prawidłową biegunowość, i zamknąć pokrywę.

Podłączyć stację pogodową do sieci przy użyciu dołączonego zasilacza lub dokładnego odpowiednika.

Montaż stacji pogodowej

Stację pogodową należy zamontować wewnątrz w suchym i zacienionym miejscu, z dala od bezpośredniego nasłonecznienia i deszczu.

5.3 Synchronizacja czujnika i stacji pogodowej**Synchronizacja czujnika i stacji pogodowej**

Czujnik zewnętrzny należy trzymać w pobliżu stacji pogodowej przez 30 minut. Obracać czasze anemometru, aby symulować wiatr, i przytrzymać kolektor deszczu pod kapiącym kranem, aby symulować deszcz.

Po odebraniu danych przez stację pogodową należy postępować zgodnie z instrukcją montażu czujnika zewnętrznego.

Uzyskiwanie najlepszej komunikacji bezprzewodowej

Aby zapewnić prawidłową komunikację, należy zamontować czujnik zewnętrzny w pozycji pionowej.

Komunikacja bezprzewodowa jest wrażliwa na zakłócenia, odległość, ściany i przeszkody metalowe. Należy pamiętać o następujących kwestiach:

- Zakłócenia elektromagnetyczne (EMI). Chronić stację pogodową przed EMI, wywoływanymi przez np. monitory komputerowe i telewizory.
- Zakłócenia radiowe (RFI). Urządzenia pracujące na częstotliwości 433 MHz będą wpływać na komunikację bezprzewodową pomiędzy czujnikiem zewnętrznym a stacją pogodową. Może być konieczna zmiana lokalizacji tych urządzeń, aby uniknąć zakłóceń.
- Zasięg sygnału radiowego Zasięg transmisji tej stacji pogodowej wynosi 100 m. Zazwyczaj jednak, ze względu na przeszkody środowiskowe, uzyskuje się 30 m.
- Przeszkody metalowe. Należy pamiętać, że fale radiowe nie przenikają przez przeszkody metalowe, takie jak żelbet.

Poniżej w charakterze wskazówki przedstawiono tabelę przeszkód i współczynników odbioru.

Przeszkoda	Oslabienie sygnału
szkło	5-15 %
plastik	10-15 %
drewno	10-40 %
cegła	10-40 %
beton	40-80 %
metal	90-100 %

6. Ustawienia

6.1 Funkcje przycisków

przycisk	Opis
SET	<ul style="list-style-type: none"> Przytrzymać ten przycisk, aby przejść w tryb ustawień.
TEMP.	<ul style="list-style-type: none"> Nacisnąć ten przycisk, aby wyświetlić temperaturę odczuwalną, wskaźnik ciepła i punkt rosy.
RAIN	<ul style="list-style-type: none"> Nacisnąć ten przycisk, aby wyświetlić wartość współczynnika opadów deszczu, ilości opadów w danym epizodzie opadowym, dobowych, tygodniowych, miesięcznych opadów deszczu oraz sumy opadów deszczu. Przytrzymać ten przycisk wciśnięty przez 2 sekundy, aby zresetować aktualnie wyświetlaną wartość opadów deszczu.
WIND +	<ul style="list-style-type: none"> Nacisnąć ten przycisk, aby wyświetlić wartość porywów wiatru i kierunek wiatru.
PRESSURE -	<ul style="list-style-type: none"> Nacisnąć ten przycisk, aby wyświetlić średnie wartości ciśnienia bezwzględnego ostatnich 12 h, 24 h, 48 h i 72 h. Przytrzymać ten przycisk wciśnięty przez 2 sekundy, aby wyświetlić wartość ciśnienia bezwzględnego i względnego.
ALARM	<ul style="list-style-type: none"> Nacisnąć ten przycisk, aby wyświetlić wartość alarmu temperatury/wilgotności/współczynnika opadów deszczu/dobowych opadów deszczu/wiatru.
MAX/MIN	<ul style="list-style-type: none"> Nacisnąć ten przycisk, aby wyświetlić wartość maks./min. temperatury/wilgotności/współczynnika opadów deszczu/dobowych opadów deszczu/wiatru/UVI/światła/ciśnienia bezwzględnego.
LIGHT/SNOOZE	<ul style="list-style-type: none"> Nacisnąć ten przycisk, aby wyregulować jasność wyświetlacza LCD. Przytrzymać ten przycisk wciśnięty, aby zarejestrować nowy nadajnik.

Uwagi:

- Nacisnąć jednocześnie WIND + i PRESSURE -, aby zresetować stację pogodową i usunąć wszystkie zapisy. Wszystkie ustawienia użytkownika powrócą do wartości domyślnych.
- Nacisnąć TEMP., aby pominąć odbiór sygnału radiowego RF.
- W trybie ustawień, nacisnąć WIND + lub PRESSURE -, aby ustawić wartość.
- Nacisnąć LIGHT/SNOOZE lub odczekać 30 sekund, aby wyjść z trybu ustawień.

6.2 Tryb ustawień

Przytrzymać przycisk SET wciśnięty przez 2 sekundy, aby przejść w tryb ustawień. Można teraz wykonać podstawowe ustawienia w następującej kolejności.

Sygnal dźwiękowy



Nacisnąć WIND + lub PRESSURE -, aby wybrać tryb włączony (sygnal dźwiękowy przy każdym naciśnięciu przycisku) lub wyłączony (sygnal dźwiękowy wyłączony).

Dobowe wartości maks./min.



Ponownie nacisnąć SET. Nacisnąć WIND + lub PRESSURE -, aby aktywować/dezaktywować funkcję zapisywania dobowych wartości maks./min. (domyślnie: włączona + kasowanie o 00:00 każdego dnia).

Czas/data



Ponownie nacisnąć SET, aby ustawić czas. Nacisnąć WIND + lub PRESSURE -, aby ustawić wartości. Kolejność ustawień:

12/24 h → godzina → minuty → DD-MM/MM-DD → rok → miesiąc → dzień

Ciężenie



- Ciężenie bezwzględne i ciężenie względne
Przytrzymać wciśnięty przycisk PRESSURE -, aby wybrać ciężenie bezwzględne lub względne.

- Wykres zmian ciśnienia
Ten wykres pokazany jest po lewej stronie ciśnienia atmosferycznego i oznacza różnicę między średnim ciśnieniem dobowym a średnią 30-dniową w hPa.



- Historia ciśnienia
Nacisnąć PRESSURE –, aby wybrać średnie wartości ciśnienia ostatnich 12 h/24 h/48 h/72 h.
- Kalibracja ciśnienia względnego
Warunki ciśnienia powinny być porównywane tylko względem warunków na poziomie morza. Aby określić ciśnienie względne w danej lokalizacji, należy ustalić położenie pobliskiej oficjalnej stacji meteorologicznej (internet jest najlepszym źródłem informacji o warunkach ciśnienia w czasie rzeczywistym, np. weather.com lub wunderground.com) i ustawić stację pogodową tak, aby odpowiadała oficjalnej stacji meteorologicznej.

Światło



Ponownie nacisnąć SET, aby wybrać jednostkę światła (lux, fc, w/m², domyślnie: w/m²).

Temperatura



Ponownie nacisnąć SET, aby wybrać jednostkę temperatury zewnętrznej (°C lub °F, domyślnie: °C).

W trybie normalnym nacisnąć przycisk TEMP., aby wyświetlić temperaturę odczuwalną, wskaźnik ciepła i punkt rosy. Przytrzymać wciśnięty przycisk TEMP., aby zarejestrować nowy nadajnik.

Należy pamiętać, że temperatura poza zakresem będzie wyświetlana jako --.-.

Prędkość wiatru



Ponownie nacisnąć SET, aby wybrać jednostkę prędkości wiatru (km/h, mph, węzły, m/s, bft, domyślnie: km/h).

W trybie normalnym nacisnąć przycisk WIND +, aby wyświetlić wartość porywów wiatru i kierunek wiatru.

Deszcz



Ponownie nacisnąć SET, aby wybrać jednostkę opadów deszczu (cale/mm, domyślnie: mm).

W trybie normalnym nacisnąć przycisk RAIN, aby wyświetlić wartość współczynnika opadów deszczu, ilości opadów w danym epizodzie opadowym, dobowych, tygodniowych, miesięcznych opadów deszczu oraz sumy opadów deszczu.

Przytrzymać wciśnięty przycisk RAIN, aby zresetować aktualnie wyświetlaną wartość opadów deszczu.

Faza księżyca



Ponownie nacisnąć SET, aby wybrać półkulę północną lub południową.

6.3 Tryb alarmu

Wartość alarmów

1. Nacisnąć przycisk ALARM, aby wyświetlić alarm wysokiej wartości.



2. Ponownie nacisnąć przycisk ALARM, aby alarm niskiej wartości.



Nacisnąć przycisk RAIN, aby wyświetlić dane alarmu współczynnika opadów deszczu lub dobowych opadów deszczu.

Nacisnąć WIND +, aby wyświetlić dane alarmu wiatru lub porywów wiatru.

Nacisnąć ALARM lub LIGHT/SNOOZE, aby powrócić do trybu normalnego.

Ustawienia trybu alarmowego

1. Przytrzymać wciśnięty przycisk ALARM, aby przejść w tryb ustawień alarmu.
2. Nacisnąć przycisk WIND + lub PRESSURE -, aby aktywować/deaktywować alerty i dostosować ich wartości.
3. Nacisnąć przycisk SET, aby zatwierdzić i przejść do następnej pozycji.
4. Nacisnąć przycisk ALARM, aby włączyć lub wyłączyć alarm.
Po uruchomieniu alarmu będzie migać ikona źródła wyzwolenia alarmu, ikona wysokiej wartości i ikona niskiej wartości.
5. Nacisnąć ALARM lub LIGHT/SNOOZE, aby powrócić do trybu normalnego.

Sekwencja ustawień alarmów

alarm czasowy → wysoka temperatura wewnętrzna → niska temperatura wewnętrzna →
wysoka wilgotność wewnętrzna → niska wilgotność wewnętrzna →
wysoka temperatura zewnętrzna → niska temperatura zewnętrzna →
wysoka wilgotność zewnętrzna → niska wilgotność zewnętrzna →
→ wysoka wartość wiatru → wysoki współczynnik opadów →
wysoka wartość dobowa opadów

6.4 Tryb min./maks.

1. Nacisnąć MAX/MIN, aby wyświetlić dane maksymalne.



Nacisnąć TEMP., aby wyświetlić temperaturę odczuwalną, wskaźnik ciepła i punkt rosy.

Nacisnąć RAIN, aby wyświetlić wartość maksymalną współczynnika opadów deszczu, dobowych, tygodniowych i miesięcznych opadów deszczu.

Nacisnąć WIND +, aby wyświetlić wartość maksymalną wiatru i porywów wiatru.

Przytrzymać wciśnięty przycisk PRESSURE -, aby wyświetlić wartość maksymalną ciśnienia bezwzględnego i względnego.

2. Ponownie nacisnąć MAX/MIN, aby wyświetlić dane minimalne.



Nacisnąć TEMP., aby wyświetlić temperaturę odczuwalną i punkt rosy.

Przytrzymać wciśnięty przycisk PRESSURE -, aby wyświetlić minimalne ciśnienie bezwzględne i względne.

Przytrzymać wciśnięty przycisk MAX/MIN, aby zresetować wszystkie wartości maksymalne lub minimalne.

3. Nacisnąć MAX/MIN lub LIGHT/SNOOZE, aby powrócić do trybu normalnego.

6.5 Kalibracja

1. Przytrzymać wciśnięte przyciski TEMP. i MAX/MIN, aby przejść w tryb kalibracji.



Nacisnąć WIND + lub PRESSURE -, aby ustawić wartości.

Nacisnąć SET, aby zatwierdzić i przejść do następnej pozycji.

Nacisnąć ALARM, aby zresetować dowolną ustawioną wartość.

2. Nacisnąć LIGHT/SNOOZE, aby wyjść z trybu kalibracji.

Kolejność ustawień:

- wartość wyrównawcza temperatury wewnętrznej → wartość wyrównawcza wilgotności wewnętrznej → wartość wyrównawcza temperatury zewnętrznej →
- wartość wyrównawcza wilgotności zewnętrznej → wartość wyrównawcza ciśnienia bezwzględного → wartość wyrównawcza kierunku wiatru →
- współczynnik prędkości wiatru → współczynnik deszczu

6.6 Inne funkcje

Reset fabryczny / czyszczenie pamięci

1. Odłączyć zasilanie, wyjmując baterie i odłączając od sieci elektrycznej.
2. Przywrócić zasilanie, podłączając urządzenie do sieci elektrycznej.
3. Począkać na inicjalizację urządzenia.
4. Przytrzymać jednocześnie wciśnięte przyciski WIND + i PRESSURE -, aby zresetować stację pogodową i usunąć wszystkie zapisy. Wszystkie ustawienia użytkownika powrócą do wartości domyślnych.
5. Ponownie włożyć baterie do urządzenia.

Rejestracja nowego nadajnika

Przytrzymać wciśnięty przycisk LIGHT/SNOOZE, aby zarejestrować nowy nadajnik.

Podświetlanie

Wyświetlacz będzie stale podświetlany tylko wówczas, gdy urządzenie jest zasilane z sieci. Wyregulować intensywność podświetlenia za pomocą LIGHT/SNOOZE.

Gdy urządzenie jest zasilane z baterii, podświetlenie wyświetlacza wyłączy się po 15 sekundach, aby zmniejszyć zużycie energii.

Strzałki tendencji

Strzałki te pozwalają na szybkie określenie tendencji w zakresie temperatury lub ciśnienia.

strzałka		wilgotność	temperatura	ciśnienie
↗	tendencja wzrostowa	> 3 %	≥ 1 °C/2 °C	> 1 hPa
→	tendencja stała	≤ 3 %	< 1 °C/2 °C	≤ 1 hPa
↘	tendencja spadkowa	> 3 %	≥ 1 °C/2 °C	> 1 hPa

Wskaźnik sygnału bezprzewodowego

Ten wskaźnik pokazuje jakość odbioru. Jeśli nie występuje utrata sygnału, na wyświetlaczu pojawi się 5 pasków; w przypadku jednokrotnej utraty sygnału, wyświetlą się 4 paski.

Prognoza pogody

Prognoza pogody jest wskazywana symbolami pogodowymi. Należy pamiętać, że urządzenie wymaga co najmniej jednego miesiąca rejestracji ciśnienia, aby określić ciśnienie atmosferyczne na przestrzeni czasu.



słonecznie



częściowo pochmurno



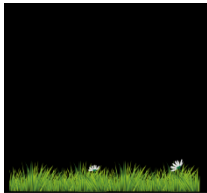
pochmurno



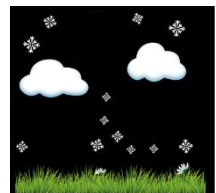
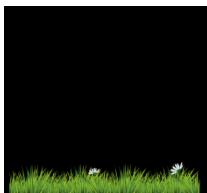
deszczowo



śnieżnie



ulewa



śnieżyca

Należy pamiętać, że prognozy pogody są tylko przewidywaniami, a błędy w przewidywaniach są zjawiskiem normalnym.

Drzemka

Po uruchomieniu alarmu czasu, rozlegnie się sygnał alarmu, a ikona alarmu będzie migać przez 120 sekund. Nacisnąć LIGHT/SNOOZE, aby wyciszyć alarm na 10 minut. Po upływie tego czasu alarm zostanie ponownie uruchomiony. Nacisnąć dowolny przycisk oprócz LIGHT/SNOOZE, aby wyłączyć alarm.

7. Połączenie internetowe

Proszę odwiedzić stronę produktu na www.velleman.eu i zapoznać się z instrukcją obsługi online.

8. Utrzymanie i konserwacja

Czyszczenie

- Przed rozpoczęciem jakichkolwiek prac związanych z czyszczeniem lub konserwacją odłączyć urządzenie od źródła zasilania.
- Przetrzeć powierzchnie zewnętrzne urządzenia miękką szmatką zwilżoną mydłem i roztworem wodnym. Nie zanurzać urządzenia w wodzie ani innej cieczy. Nigdy nie używać rozpuszczalników ani środków czyszczących na bazie ropy naftowej (benzyna, nafta, olej), rozcieńczalnika do farb, terpentyny, alkoholu lub amoniaku.

Konserwacja

- Urządzenie nie wymaga konserwacji. Nie otwierać zewnętrznej osłony urządzenia. W urządzeniu nie ma części, które mogą być serwisowane przez użytkownika. Otwarcie urządzenia lub widoczne próby otwarcia lub naprawy urządzenia mogą skutkować utratą gwarancji i/lub uszkodzeniami produktu, czy też obrażeniami ciała.

Przechowywanie

- Przechowywać urządzenie i jego wyposażenie w oryginalnym opakowaniu, w czystym i suchym miejscu.

9. Specyfikacja techniczna

temperatura

zakres we wnętrzach	od -10 °C do 60 °C
zakres na zewnątrz	od -40 °C do 60 °C
dokładność wewnątrz.....	-
dokładność na zewnątrz	+/- 1 °C

wilgotność

zakres we wnętrzach	10-99 %
zakres na zewnątrz	10-99 %
dokładność wewnątrz.....	+/- 5 %
dokładność na zewnątrz	+/- 5 %

wiatr

zakres prędkości	0-50 m/s
dokładność prędkości.....	+/- 1 m/s (v < 5 m/s), +/- 10 % (v > 5 m/s)

zakres ciśnienia atmosferycznego700 hPa

interwał pomiaru

wewnątrz	60 s
na zewnątrz.....	16 sek.

odległość transmisji	± 100 (na otwartym terenie)
wymiary	
jednostka główna	188 x 118 x 21 mm
czujnik.....	338 x 296 x 214 mm
waga	
jednostka główna	240 g
czujnik.....	580 g
zasilanie jednostki głównej	
zasilacz (w zestawie)	5 VDC, 1 A
bateria (brak w zestawie).....	3 x LR03
zasilanie czujnika	
bateria (brak w zestawie).....	2 x LR6
wbudowany panel słoneczny	
czułość	
stacja pogodowa	868,3 MHz
WiFi.....	2412-2472 MHz
radio FM.....	-
DCF.....	-
maks. moc transmisji RF	< 20 mW

Należy używać wyłącznie oryginalnych akcesoriów. Firma Velleman nv nie ponosi odpowiedzialności za uszkodzenia lub urazy wynikające z (niewłaściwego) korzystania z niniejszego urządzenia. Aby uzyskać więcej informacji dotyczących produktu oraz najnowszą wersję niniejszej instrukcji, należy odwiedzić naszą stronę internetową www.velleman.eu. Informacje zawarte w niniejszej instrukcji obsługi mogą ulec zmianie bez wcześniejszego powiadomienia.

Deklaracja zgodności z dyrektywą RED

Velleman NV niniejszym oświadcza, że urządzenie radiowe typu WC224 jest zgodne z Dyrektywą 2014/53/UE.

© INFORMACJA O PRAWACH AUTORSKICH

Właścicielem praw autorskich do niniejszej instrukcji jest firma Velleman nv. Wszelkie prawa są zastrzeżone na całym świecie. Żadna część niniejszej instrukcji nie może być kopiowana, powielana, tłumaczona ani przenoszona na jakikolwiek nośnik elektroniczny (lub w inny sposób) bez wcześniejszej pisemnej zgody właściciela praw autorskich.

MANUAL DO UTILIZADOR

1. Introdução

Aos cidadãos da União Europeia

Importantes informações sobre o meio ambiente no que respeita a este produto



Este símbolo no aparelho ou na embalagem indica que, enquanto desperdícios, poderão causar danos no meio ambiente. Não coloque a unidade (ou as pilhas) no depósito de lixo municipal; deve dirigir-se a uma empresa especializada em reciclagem. Devolva o aparelho ao seu distribuidor ou ao posto de reciclagem local. Respeite a legislação local relativa ao meio ambiente.

Em caso de dúvidas, contacte com as autoridades locais para os resíduos.

Agradecemos o facto de ter escolhido a Perel! Leia atentamente as instruções do manual antes de usar o aparelho. Caso o aparelho tenha sofrido algum dano durante o transporte não o instale e entre em contacto com o seu distribuidor.

2. Instruções de segurança



Leia este manual atentamente antes da utilização ou instalação.

- Este aparelho pode ser usado por crianças com idade igual ou superior a 8 anos e pessoas com capacidades físicas, mentais e sensoriais reduzidas, ou com falta de experiência e conhecimentos acerca do aparelho, desde que sejam supervisionadas e informadas acerca da utilização do aparelho e possíveis acidentes. As crianças não devem brincar com o aparelho. A limpeza e manutenção não devem ser feitas por crianças sem a devida supervisão.
- Este produto destina-se exclusivamente ao campo de aplicação descrito neste manual. Este produto só deve ser utilizado conforme indicado nas instruções.
- Não exponha o aparelho a temperaturas extremas, vibração ou choque.
- A unidade interior não é à prova de água e por isso deve ser usada em espaços interiores. Escolha um local de instalação seco e à sombra para a unidade central. O sensor exterior pode ser usado e instalado no exterior.

3. Normas gerais

- Consulte a Garantia de Serviço e Qualidade Velleman® na parte final deste manual do utilizador.
- Por razões de segurança, estão proibidas quaisquer modificações do aparelho desde que não autorizadas. Os danos causados por modificações não autorizadas do aparelho não estão cobertos pela garantia.
- Utilize o aparelho apenas para as aplicações descritas neste manual. Uma utilização incorreta anula a garantia completamente.
- Danos causados pelo não cumprimento das normas de segurança referidas neste manual anulam a garantia e o seu distribuidor não será responsável por quaisquer danos ou outros problemas daí resultantes.
- Nem Velleman NV nem os seus distribuidores podem ser responsabilizados por quaisquer danos (extraordinário, incidental ou indireto) - de qualquer natureza decorrentes (financeira, física ...) a partir da posse, uso ou falha do produto.
- Guarde este manual para posterior consulta.

4. Descrição

Veja as imagens na página 2 deste manual.

Sensor

1	Cata-vento
2	Sensor de velocidade do vento
3	Sensor UV
4	Sensor termo-higro
5	Colector de precipitação
6	Nível de bolha

7	placa solar
8	Parafuso em U
9	compartimento das pilhas
10	botão de reinicialização
11	O LED de indicação

Visualização

1	hora
2	fases da lua
3	pressão barométrica
4	meteorologia
5	índice UV
6	luz
7	velocidade do vento
8	Direcção do vento
9	Máx./mín. diário

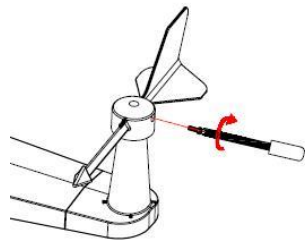
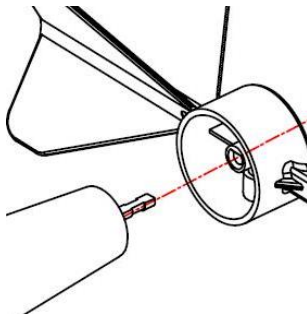
10	Precipitação
11	temperatura exterior
12	humidade exterior
13	Ícone RF
14	humidade interior
15	temperatura interior
16	data
17	Ícone wifi
18	DST

5. Instalação

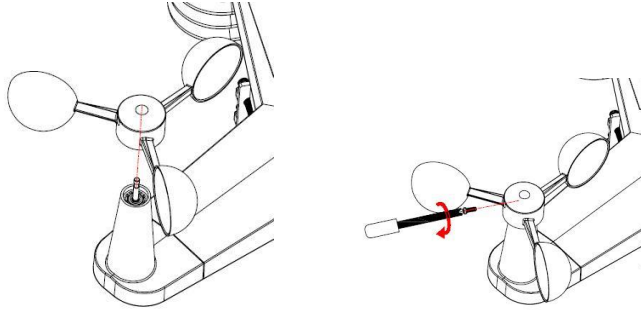
5.1 Sensor

Montagem do Cata-vento e do Anemómetro

faça deslizar o cata-vento pela haste e aperte o parafuso, certificando-se de que este roda livremente.



Proceda da mesma forma com o anemómetro.



Ligar o Sensor Exterior

O sensor exterior funciona com duas pilhas AA/R6. Abra o compartimento das pilhas da estação meteorológica. Introduza a pilha respeitando a polaridade e volte a colocar a porta do compartimento.



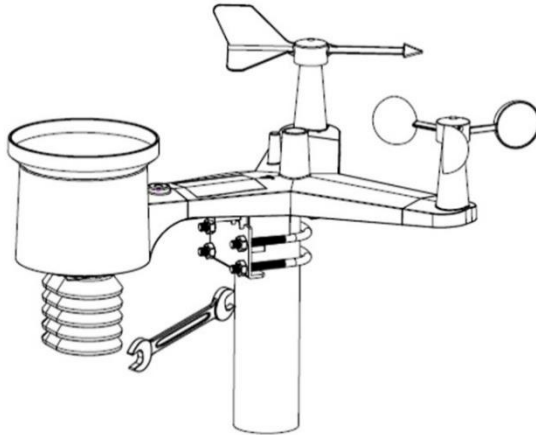
Recomendamos a utilização de pilhas de lítio ou alcalinas. As pilhas recarregáveis não são recomendadas visto que têm baixa tensão, não funcionam bem sob grandes amplitudes de temperatura e não duram muito, o que resulta em má recepção.

Sincronizar o Sensor e a Estação Meteorológica.

Antes de montar o sensor exterior, consulte o capítulo **5.2 Sincronização do Sensor e da Estação Meteorológica** mais abaixo.

Montar o Sensor Exterior

A montagem inclui dois parafusos em U e um suporte que aperta em torno de um poste de 1 a 2" de diâmetro (não incluído) usando as quatro porcas.



Monte o sensor de modo a que a direção do vento (N, S, E e O) no sensor corresponda aos pontos cardeais reais. Existirão permanentemente erros de direção do vento caso o sensor não esteja montado corretamente. Do mesmo modo, use o nível de bolha junto ao sensor de precipitação como guia para verificar se o sensor está nivelado.

LED de Reinicialização/Transmissão

Reinicialize o sensor no caso de este não estar a fazer a transmissão.

1. Usando um clipe para papéis aberto, pressione o botão de reinicialização do sensor durante 3 segundos para descarregar completamente o circuito.
2. Retire as pilhas do compartimento e cubra o painel solar. Deixe o sensor repousar durante 5 minutos de modo a descarregar a tensão.
3. Volte a colocar as pilhas e volte a fazer a sincronização com a consola (ver abaixo).

5.2 Estação meteorológica**Ligar a Estação Meteorológica**

A estação meteorológica funciona com três pilhas AAA/R03 como alimentação de reserva em caso de interrupção de energia. Abra o compartimento das pilhas da estação meteorológica. Introduza as pilhas respeitando a polaridade e volte a colocar a porta do compartimento.

Ligue a estação meteorológica à rede elétrica usando o adaptador fornecido ou outro equivalente.

Instalar a Estação Meteorológica

Instale a estação meteorológica no interior, num local seco e à sombra, protegida da luz solar direta e da chuva.

5.3 Sincronização do Sensor com a Estação Meteorológica**Sincronização do Sensor com a Estação Meteorológica**

Mantenha o sensor exterior perto da estação meteorológica durante 30 minutos. Faça rodar os copos de vento para simular vento e coloque o receptor de chuva debaixo de uma torneira a pingar para simular chuva.

Assim que a estação começar a receber dados, siga as instruções de montagem para o sensor exterior.

Para Obter a Melhor Comunicação Sem Fios

Para garantir uma boa comunicação, instale o sensor na posição vertical.

Do mesmo modo, a comunicação sem fios é sensível a interferências, distância, paredes e barreiras metálicas. Tenha em conta o seguinte:

- Interferência Eletromagnética (IEM). Mantenha a estação meteorológica afastada de IEM, por exemplo, monitores de computador e televisores.
- Interferência de Rádio-Frequências (IRF) Dispositivos que funcionem numa frequência de 433 MHz irão afetar a comunicação sem fios entre o sensor exterior e a estação meteorológica. Pode ter necessidade de reposicionar os dispositivos para evitar interferências.
- Classificação da Linha de Visão Esta estação meteorológica está classificada em 100 m de linha de visão. No entanto alcançará geralmente os 30 m devido às barreiras ambientais.
- Barreiras Metálicas Tenha em conta que as ondas de rádio não passam através de barreiras metálicas tais como betão armado.

Segue-se uma tabela indicativa da barreira vs fator de recepção

Barreira	Redução de sinal
vidro	5-15 %
plástico	10-15 %
madeira	10-40 %
tijolo	10-40 %
cimento	40-80 %
metálica	90-100 %

6. Configurações

6.1 Função da Tecla

Tecla	descrição
SET	<ul style="list-style-type: none"> Pressione esta tecla para entrar no modo de configuração.
TEMP.	<ul style="list-style-type: none"> Pressione esta tecla para visualizar a temperatura do vento, índice de calor e temperatura do ponto de orvalho.
RAIN	<ul style="list-style-type: none"> Pressione esta tecla para visualizar a taxa de precipitação, evento, precipitação do dia, precipitação da semana, precipitação do mês e precipitação total. Pressione esta tecla durante 2 segundos e limpe o valor da precipitação apresentado.
WIND +	<ul style="list-style-type: none"> Pressione esta tecla para visualizar o vento/rajada e a direção do mesmo.
PRESSURE -	<ul style="list-style-type: none"> Pressione esta tecla para visualizar a pressão média absoluta de 12 h, 24 h, 48 h e 72 h. Pressione esta tecla durante 2 segundos para visualizar a pressão relativa e absoluta.
ALARM	<ul style="list-style-type: none"> Pressione esta tecla para visualizar o valor de alarme para a temperatura/humidade Taxa de precipitação/precipitação diária/vento.
MAX/MIN	<ul style="list-style-type: none"> Pressione esta tecla para visualizar o valor máx/mín da temperatura humidade/taxa de precipitação, precipitação diária/vento/UVI/luz/pressão absoluta
LIGHT/SNOOZE	<ul style="list-style-type: none"> Pressione esta tecla para ajustar o brilho do LCD. Mantenha esta tecla pressionada para registar um novo transmissor.

Notas:

- Pressione WIND + e PRESSURE - em simultâneo para reiniciar a estação meteorológica e limpar todos os registos. Serão repostas as predefinições de fábrica.
- Pressione TEMP para ignorar a recepção do sinal RF.
- No modo de configuração, pressione WIND + ou PRESSURE - para definir o valor.
- Pressione LIGHT/SNOOZE ou aguarde 30 segundos para sair do modo de configuração.

6.2 Modo Configuração

Pressione SET durante 2 segundos para entrar no modo de configuração. As configurações básicas podem agora ser feitas na seguinte ordem.

Sinal sonoro

Pressione WIND + ou PRESSURE - para selecionar ligar (sinal sonoro ao pressionar um tecla) ou desligar (sem sinal sonoro).

Máx/Mín Diário

Pressione SET novamente. Pressione WIND + ou PRESSURE - para ativar/desativar a função máx/mín diário (por defeito: ligado + limpar às 00:00 todos os dias).

hora/data

Pressione SET novamente para acertar as horas. Pressione WND + ou PRESSURE - para acertar os valores. A sequência de configuração é:

12/24 h → hor → minuto → DD-MM/MM-DD → ano → mês → dia

Pressão atmosférica

- Pressão Absoluta vs Pressão Relativa
Pressione PRESSURE - para selecionar pressão absoluta ou relativa.
- Gráfico da Alteração da Pressão
Este gráfico é apresentado à esquerda da pressão barométrica e representa a diferença entre a pressão média diária e a pressão de 30 dias em hPa.



- Histórico da pressão
Pressione PRESSURE - para selecionar a pressão média em 12 h/24 h/48 h/72 h.

- Calibragem da Pressão Relativa

As condições de pressão devem ser comparadas apenas em condições ao nível do mar. Para determinar a pressão relativa para a sua localização, coloque uma estação de comunicação perto de si (a internet é a melhor fonte para condições barométricas em tempo real, como por exemplo weather.com ou wunderground.com) e configure a estação meteorológica conforme os dados da estação.

Luz



Pressione SET novamente para selecionar a unidade de luz (lux, fc, w/m², default: w/m²).

Temperatura



Pressione SET novamente para selecionar a unidade da temperatura exterior (°C ou °F, por defeito: °C).

No modo normal, pressione TEMP. para visualizar a arrefecimento do vento, o índice de calor e temperatura do ponto de orvalho. Pressione TEMP. para registar um novo transmissor.

Uma temperatura fora dos parâmetros definidos será apresentada como --,-.

Velocidade do vento



Pressione SET mais uma vez para selecionar a unidade de velocidade do vento (km/h, mph, knots, m/s, bft, por defeito: km/h).

No modo normal, pressione WIND + para visualizar o vento e a velocidade do mesmo.

Pluviosidade



Pressione SET novamente para selecionar a unidade de precipitação (in/mm, por defeito: mm).

No modo normal, pressione RAIN para visualizar a taxa de precipitação, evento, precipitação diária, precipitação semanal, precipitação mensal e precipitação total. Mantenha RAIN pressionado até limpar o valor da precipitação apresentado.

Fases da lua



Pressione SET novamente para selecionar o hemisfério Norte ou Sul.

6.3 Modo Alarme

Valor do Alarme

1. Pressione ALARM para mostrar o alarme para valor mais alto.



2. Pressione ALARM novamente para mostrar o alarme para valor mais baixo.



Pressione RAIN para mostrar os dados relativos ao alarme para a taxa de precipitação ou precipitação diária.

Pressione WIND + para mostrar os dados relativos ao vento ou rajadas.

Pressione ALARM ou LIGHT/SNOOZE para voltar ao modo normal.

Configurar Modo Alarme

1. Pressione ALARM para entrar no modo de configuração do alarme.
2. Pressione WIND + ou PRESSURE - para ativar/desativar os alertas ou ajustar os valores para alerta
3. Pressione SET para confirmar e avançar para o passo seguinte.
4. Pressione ALARM para ligar ou desligar o alarme.
Assim que o alarme dispara, o ícone da fonte do disparo, o ícone para o valor mais elevado e o ícone para o valor mais baixo ficam intermitentes.
5. Pressione ALARM ou LIGHT/SNOOZE para voltar ao modo normal.

Sequência de Configuração do Alarme

hora do alarme → temperatura interior elevada → temperatura interior baixa →
 humidade interior elevada → humidade interior baixa → temperatura exterior elevada →
 temperatura exterior baixa → humidade exterior elevada → humidade exterior baixa →
 vento forte → taxa de precipitação elevada → precipitação diária elevada

6.4 Modo Máx/Mín

1. Pressione MAX/MIN para apresentar os dados máximos.



Pressione TEMP. para visualizar a temperatura do vento, índice de calor e temperatura do ponto de orvalho.

Pressione RAIN para visualizar a taxa de precipitação, precipitação semanal e precipitação mensal máximas.

Pressione WIND + para visualizar o valor máximo para o vento e rajadas.

Mantenha PRESSURE - pressionado para visualizar a pressão relativa e absoluta máxima.

2. Pressione MAX/MIN novamente para ver os valores mínimos.



Pressione TEMP. para a temperatura do vento e do ponto de orvalho.

Mantenha PRESSURE - pressionado para visualizar a pressão relativa e absoluta mínima.

Mantenha MAX/MIN pressionado para eliminar todos os valores mínimos e máximos.

3. Pressione MAX/MIN ou LIGHT/SNOOZE para voltar ao modo normal.

6.5 Calibragem

1. Mantenha TEMP. e MAX/MIN pressionados para entrar no modo de calibragem.



Pressione WIND + ou PRESSURE - para definir os valores.

Pressione SET para confirmar e avançar.

Pressione ALARM para eliminar qualquer valor ajustado.

2. Pressione LIGHT/SNOOZE para sair do modo de calibragem.

A sequência de configuração é:

compensação da temperatura interior → compensação da humidade interior →

compensação da temperatura exterior →

compensação da humidade exterior → compensação da pressão absoluta →

compensação da direção do vento →

fator de velocidade do vento → fator precipitação

6.6 Outras Funções

Restaurar Definições de Fábrica/Limpar Memória

1. Desligue a alimentação retirando as pilhas e desligando
2. Volte a restaurar a alimentação ligando novamente o aparelho à corrente elétrica.
3. Aguarde pela reinicialização do aparelho.
4. Pressione WIND + e PRESSURE – em simultâneo para reiniciar a estação meteorológica e eliminar todos os registos guardados. Serão restauradas as definições por defeito.
5. Volte a colocar as pilhas no aparelho.

Registar um Novo Transmissor

Pressione LIGHT/SNOOZE para registar um novo transmissor.




Retroiluminação

O visor só fica iluminado de forma permanente se o aparelho estiver ligado à corrente elétrica. Regule a intensidade da retroiluminação usando LIGHT/SNOOZE.

Sempre que o aparelho é posto em funcionamento usando pilhas, a retroiluminação do visor desliga após 15 segundos para reduzir o consumo de energia.

Setas de Tendência

Estas setas permitem-lhe apurar rapidamente a tendência da temperatura ou da pressão.

Seta		Humidade	Temperatura	Pressão atmosférica
	Subida	> 3 %	≥ 1 °C/2 °C	> 1 hPa
	Estabilidade	≤ 3 %	< 1 °C/2 °C	≤ 1 hPa
	descida	> 3 %	≥ 1 °C/2 °C	> 1 hPa

Indicador do Sinal Sem Fios (wireless)

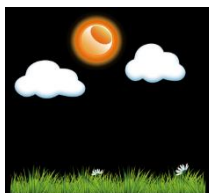
O indicador apresenta a qualidade da recepção. Se não se perdeu o sinal o indicador apresenta 5 barras; Se o sinal falhou uma vez, aparecerão quatro barras.

Previsão Meteorológica

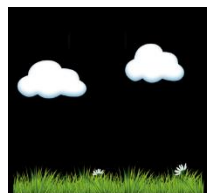
A previsão meteorológica é apresentada através de símbolos meteorológicos. Não se esqueça de que o aparelho necessita de pelo menos um mês a registar a pressão atmosférica para saber a pressão barométrica ao longo do tempo.



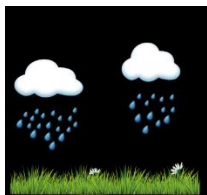
sol



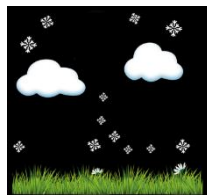
parcialmente nublado



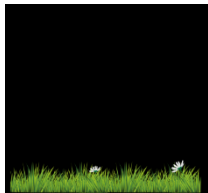
nublado



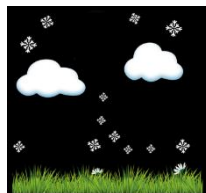
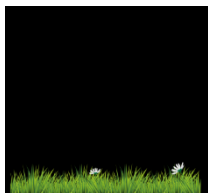
chuvoso



neve



tempestade de chuva



tempestade de neve

Não se esqueça que as previsões meteorológica são apenas previsões e que é normal a ocorrência de erros.

Snooze

Sempre que o alarme é ativado, este começará a tocar e o ícone do alarme ficará intermitente durante 120 segundos. Pressione LIGHT/SNOOZE para suspender o alarme durante 10 minutos. O alarme voltará a tocar assim que o tempo expirar. Pressione qualquer tecla excepto LIGHT/SNOOZE para desligar o alarme.

7. Ligação à Internet

Visite a página do produto em www.velleman.eu e consulte o manual online.

8. Cuidados e manutenção

Limpeza

- Antes de proceder a qualquer limpeza ou manutenção, desligue o aparelho da fonte de alimentação.
- Limpe toda a superfície exterior do aparelho com um pano macio embebido numa solução de água e sabão. Não mergulhe qualquer componente do aparelho em água ou em qualquer outro líquido. Nunca use solventes ou produtos de limpeza que contenham petróleo (gasolina, querosene, óleo), diluente, terebintina, álcool ou amónia.

Manutenção

- Este aparelho não requer qualquer manutenção. Não abra o invólucro do aparelho. Não existem peças no interior que possam ser reparada pelo utilizador. Abertura ou tentativas óbvias de abertura ou reparação do aparelho podem anular a garantia e/ou causar danos no aparelho ou ferimentos pessoais.

Armazenamento

- Guarde o aparelho e os acessórios na embalagem original, num local limpo e seco.

9. Especificações

temperatura	
alcançe no interior.....	-10 °C a 60 °C
alcançe no exterior.....	-40 °C a 60 °C
precisão no interior	-
precisão no exterior.....	+/- 1 °C
humidade	
alcançe no interior.....	10-99 %
alcançe no exterior.....	10-99 %
precisão no interior	+/- 5 %
precisão no exterior.....	+/- 5 %
vento	
intervalo de velocidade	0-50 m/s
precisão da velocidade.....	+/- 1 m/s (v < 5 m/s), +/- 10 % (v > 5 m/s)
faixa para pressão do ar	700 hPa
intervalo de medição	
interior	60 s
exterior.....	16 s
alcançe de transmissão	± 100 (espaço aberto)
dimensões	
unidade principal.....	188 x 118 x 21 mm
sensor	338 x 296 x 214 mm
peso	
unidade principal.....	240 g
sensor	580 g
unidade principal da fonte de alimentação	
adaptador (incl.)	5 VDC, 1 A
pilhas (não incl.)	3 x LR03
sensor de fonte de alimentação	
pilhas (não incl.)	2 x LR6
painel solar integrado	

frequência

estação meteorológica	868.3 MHz
wi-fi	2412-2472 MHz
rádio FM.....	-
DCF.....	-
máx. potência de transmissão RF	< 20 mW

Utilize este aparelho apenas com acessórios originais. A Velleman NV não será responsável por quaisquer danos ou lesões causados pelo uso (indevido) do aparelho. Para mais informação sobre este produto e para aceder à versão mais recente deste manual do utilizador, visite a nossa página www.velleman.eu. Podem alterar-se as especificações e o conteúdo deste manual sem aviso prévio.

Declaração de Conformidade com a Diretiva RED

A Velleman NV declara que o equipamento de rádio do tipo WC224 está em conformidade com a Diretiva 2014/53/EU.

© DIREITOS DE AUTOR

A Velleman NV detém os direitos de autor deste manual do utilizador. Todos os direitos mundiais reservados. Nenhuma parte deste manual pode ser copiada, reproduzida, traduzida ou resumida por qualquer eletrónica, ou de outra forma, sem prévio consentimento por parte da detentora dos direitos de autor.

EN**Velleman® Service and Quality Warranty**

Since its foundation in 1972, Velleman® acquired extensive experience in the electronics world and currently distributes its products in over 85 countries.

All our products fulfill strict quality requirements and legal stipulations in the EU. In order to ensure the quality, our products regularly go through an extra quality check, both by an internal quality department and by specialized external organisations. If, all precautionary measures notwithstanding, problems should occur, please make appeal to our warranty (see guarantee conditions).

General Warranty Conditions Concerning Consumer Products (for EU):

- All consumer products are subject to a 24-month warranty on production flaws and defective material as from the original date of purchase.
- Velleman® can decide to replace an article with an equivalent article, or to refund the retail value totally or partially when the complaint is valid and a free repair or replacement of the article is impossible, or if the expenses are out of proportion.

You will be delivered a replacing article or a refund at the value of 100% of the purchase price in case of a flaw occurred in the first year after the date of purchase and delivery, or a replacing article at 50% of the purchase price or a refund at the value of 50% of the retail value in case of a flaw occurred in the second year after the date of purchase and delivery.

• Not covered by warranty:

- all direct or indirect damage caused after delivery to the article (e.g. by oxidation, shocks, falls, dust, dirt, humidity...), and by the article, as well as its contents (e.g. data loss), compensation for loss of profits;
- consumable goods, parts or accessories that are subject to an aging process during normal use, such as batteries (rechargeable, non-rechargeable, built-in or replaceable), lamps, rubber parts, drive belts... (unlimited list);
- flaws resulting from fire, water damage, lightning, accident, natural disaster, etc....;
- flaws caused deliberately, negligently or resulting from improper handling, negligent maintenance, abusive use or use contrary to the manufacturer's instructions;
- damage caused by a commercial, professional or collective use of the article (the warranty validity will be reduced to six (6) months when the article is used professionally);
- damage resulting from an inappropriate packing and shipping of the article;
- all damage caused by modification, repair or alteration performed by a third party without written permission by Velleman®;
- Articles to be repaired must be delivered to your Velleman® dealer, solidly packed (preferably in the original packaging), and be completed with the original receipt of purchase and a clear flaw description.
- Hint: In order to save on cost and time, please reread the manual and check if the flaw is caused by obvious causes prior to presenting the article for repair. Note that returning a non-defective article can also involve handling costs.
- Repairs occurring after warranty expiration are subject to shipping costs.
- The above conditions are without prejudice to all commercial warranties.

The above enumeration is subject to modification according to the article (see article's manual).

NL**Velleman® service- en kwaliteitsgarantie**

Velleman® heeft sinds zijn oprichting in 1972 een ruime ervaring opgebouwd in de elektronica-wereld en verdeelt op dit moment producten in meer dan 85 landen. Al onze producten beantwoorden aan strikte kwaliteits-eisen en aan de wettelijke bepalingen geldig in de EU. Om de kwaliteit te waarborgen, ondergaan onze producten op regelmatige tijdstippen een extra kwaliteitscontrole, zowel door onze eigen kwaliteitsafdeling als door externe gespecialiseerde organisaties. Mocht er ondanks deze voorzorgen toch een probleem optreden, dan kunt u steeds een beroep doen op onze waarborg (zie waarborgvoorwaarden).

Algemene waarborgvoorwaarden consumentengeoëderen (voor Europese Unie):

- Op alle consumentengeoëderen geldt een garantieperiode van 24 maanden op productie- en materiaalfouten en dit vanaf de oorspronkelijke aankoopdatum.
- Indien de klacht gegrond is en een gratis reparatie of vervanging van een artikel onmogelijk is of indien de kosten hiervoor buiten verhouding zijn, kan Velleman® beslissen het desbetreffende artikel te vervangen door een gelijkwaardig artikel of de aankoopsom van het artikel gedeeltelijk of volledig terug te betalen. In dat geval krijgt u een vervangend product of terugbetaling ter waarde van 100% van de aankoopsom bij ontdekking van een gebrek tot één jaar na aankoop en

levering, of een vervangend product tegen 50% van de kostprijs of terugbetaling van 50 % bij ontdekking na één jaar tot 2 jaar.

• Val niet onder waarborg:

- alle rechtstreekse of onrechtstreekse schade na de levering veroorzaakt aan het toestel (bv. door oxidatie, schokken, val, stof, vuil, vocht...), en door het toestel, alsook zijn inhoud (bv. verlies van data), vergoeding voor eventuele winderwing.
- verbruiksgeoeëderen, onderdelen of hulpstukken die onderhevig zijn aan veroudering door normaal gebruik zoals bv. batterijen (zowel oplaadbare als niet-oplaadbare, ingebouwd of vervangbaar), lampen, rubberen onderdelen, aandrijfriemen... (onbeperkte lijst).
- defecten ten gevolge van brand, waterschade, bliksem, ongevallen, natuurrampen, enz.
- defecten veroorzaakt door opzet, nalatigheid of door een ondoelkundige behandeling, slecht onderhoud of abnormaal gebruik of gebruik van het toestel strijdig met de voorschriften van de fabrikant.
- schade ten gevolge van een commercieel, professioneel of collectief gebruik van het apparaat (bij professioneel gebruik wordt de garantieperiode hefeid tot 6 maand).
- schade veroorzaakt door onvoldoende bescherming bij transport van het apparaat.
- alle schade door wijzigingen, reparaties of modificaties uitgevoerd door derden zonder toestemming van Velleman®.
- Toestellen dienen ter reparatie aangevoerd te worden bij uw Velleman®-verdelers. Het toestel dient vergezeld te zijn van het oorspronkelijke aankoopbewijs. Zorg voor een degelijke verpakking (bij voorkeur de originele verpakking) en voeg een duidelijke foutomschrijving bij.
- Tip: alvorens het toestel voor reparatie aan te bieden, kijk nog eens na of er geen voor de hand liggende reden is waarom het toestel niet naar behoren werkt (zie handleiding). Op deze wijze: kunt u kosten en tijd besparen. Denk eraan dat er ook voor niet-defecte toestellen een kost voor controle aangerekend kan worden.
- Bij reparaties buiten de waarborgperiode zullen transportkosten aangerekend worden.
- Elke commerciële garantie laat deze rechten onverminderd.

Bovenstaande opsomming kan eventueel aangepast worden naargelang de aard van het product (zie handleiding van het betreffende product).

FR**Garantie de service et de qualité Velleman®**

Depuis 1972, Velleman® a gagné une vaste expérience dans le secteur de l'électronique et est actuellement distributeur dans plus de 85 pays. Tous nos produits répondent à des exigences de qualité rigoureuses et à des dispositions légales en vigueur dans l'UE. Afin de garantir la qualité, nous soumettons régulièrement nos produits à des contrôles de qualité supplémentaires, tant par notre propre service qualité que par un service qualité externe. Dans le cas improbable d'un défaut malgré toutes les précautions, il est possible d'invoquer notre garantie (voir les conditions de garantie).

Conditions générales concernant la garantie sur les produits grand public (pour l'UE) :

- tout produit grand public est garanti 24 mois contre tout vice de production ou de matériaux à dater du jour d'acquisition effective ;
- si la plainte est justifiée et que la réparation ou le remplacement d'un article est jugé impossible, ou lorsque les coûts s'avèrent disproportionnés, Velleman® s'autorise à remplacer ledit article par un article équivalent ou à rembourser la totalité ou une partie du prix d'achat. Le cas échéant, il vous sera consenti un article de remplacement ou le remboursement complet du prix d'achat lors d'un défaut dans un délai de 1 an après l'achat et la livraison, ou un article de remplacement moyennant 50% du prix d'achat ou le remboursement de 50% du prix d'achat lors d'un défaut après 1 à 2 ans.
- sont par conséquent exclus :
 - tout dommage direct ou indirect survenu à l'article après livraison (p.ex. dommage lié à l'oxydation, choc, chute, poussière, sable, impureté...) et provoqué par l'appareil, ainsi que son contenu (p.ex. perte de données) et une indemnisation éventuelle pour perte de revenus ;
 - toute pièce ou accessoire nécessitant un remplacement causé par un usage normal comme p.ex. piles (rechargeables comme non rechargeables, intégrées ou remplaçables), ampoules, pièces en caoutchouc, courroies... (liste illimitée) ;
 - tout dommage qui résulte d'un incendie, de la foudre, d'un accident, d'une catastrophe naturelle, etc. ;
 - out dommage provoqué par une négligence, volontaire ou non, une utilisation ou un entretien incorrect, ou une utilisation de l'appareil contraire aux prescriptions du fabricant ;

- tout dommage à cause d'une utilisation commerciale, professionnelle ou collective de l'appareil (la période de garantie sera réduite à 6 mois lors d'une utilisation professionnelle);
- tout dommage à l'appareil qui résulte d'une utilisation incorrecte ou différente que celle pour laquelle il a été initialement prévu comme décrit dans la notice;
- tout dommage engendré par un retour de l'appareil emballé dans un conditionnement non ou insuffisamment protégé.
- toute réparation ou modification effectuée par une tierce personne sans l'autorisation explicite de SA Velleman®; - frais de transport de et vers Velleman® si l'appareil n'est plus couvert sous la garantie.
- toute réparation sera fournie par l'endroit de l'achat. L'appareil doit nécessairement être accompagné du bon d'achat d'origine et être dûment conditionné (de préférence dans l'emballage d'origine avec mention du défaut);
- tuyau : il est conseillé de consulter la notice et de contrôler câbles, piles, etc. avant de retourner l'appareil. Un appareil retourné jugé défectueux qui s'avère en bon état de marche pourra faire l'objet d'une note de frais à charge du consommateur;
- une réparation effectuée en-dehors de la période de garantie fera l'objet de frais de transport;
- toute garantie commerciale ne porte pas atteinte aux conditions susmentionnées.

La liste susmentionnée peut être sujette à une complémentation selon le type de l'article et être mentionnée dans la notice d'emploi.

ES

Garantía de servicio y calidad Velleman®

Desde su fundación en 1972 Velleman® ha adquirido una amplia experiencia como distribuidor en el sector de la electrónica en más de 85 países. Todos nuestros productos responden a normas de calidad rigurosas y disposiciones legales vigentes en la UE. Para garantizar la calidad, sometemos nuestros productos regularmente a controles de calidad adicionales, tanto a través de nuestro propio servicio de calidad como de un servicio de calidad externo. En el caso improbable de que surgieran problemas a pesar de todas las precauciones, es posible recurrir a nuestra garantía (véase las condiciones de garantía).

Condiciones generales referentes a la garantía sobre productos de venta al público (para la Unión Europea):

- Todos los productos de venta al público tienen un período de garantía de 24 meses contra errores de producción o errores en materiales desde la adquisición original;
- Si la queja está fundada y si la reparación o sustitución de un artículo no es posible, o si los gastos son desproporcionados, Velleman® autoriza reemplazar el artículo por un artículo equivalente o reembolsar la totalidad o una parte del precio de compra. En este caso, usted recibirá un artículo de recambio o el reembolso completo del precio de compra si encuentra algún fallo hasta un año después de la compra y entrega, o un artículo de recambio al 50% del precio de compra o el reembolso del 50% del precio de compra si encuentra un fallo después de 1 año y hasta los 2 años después de la compra y entrega.

Por consiguiente, están excluidos entre otras cosas:

- todos los daños causados directa o indirectamente al aparato (p.ej. por oxidación, choques, caída...) y a su contenido (p.ej. pérdida de datos) después de la entrega y causados por el aparato, y cualquier indemnización por posible pérdida de ganancias;
- partes o accesorios, que estén expuestos al desgaste causado por un uso normal, como por ejemplo baterías (tanto recargables como no recargables, incorporadas o reemplazables), bombillas, partes de goma, etc. (lista limitada);
- defectos causados por un incendio, daños causados por el agua, rayos, accidentes, catástrofes naturales, etc.;
- defectos causados a conciencia, descuido o por malos tratos, un mantenimiento inapropiado o un uso anormal del aparato contrario a las instrucciones del fabricante;
- daños causados por un uso comercial, profesional o colectivo del aparato (el período de garantía se reducirá a 6 meses con uso profesional);
- daños causados por un uso incorrecto o un uso ajeno al que está previsto el producto inicialmente como está descrito en el manual del usuario;
- daños causados por una protección insuficiente al transportar el aparato.
- daños causados por reparaciones o modificaciones efectuadas por una tercera persona sin la autorización explícita de Velleman®;
- se calcula gastos de transporte de y a Velleman® si el aparato ya no está cubierto por la garantía.
- Cualquier artículo que tenga que ser reparado tendrá que ser devuelto a su distribuidor Velleman®. Devuelva el aparato con la factura de compra original y transportelo en un embalaje sólido (preferentemente el embalaje original). Incluya también una buena descripción del fallo;

- Consejo: Lea el manual del usuario y controle los cables, las pilas, etc. antes de devolver el aparato. Si no se encuentra un defecto en el artículo los gastos podrían correr a cargo del cliente;
- Los gastos de transporte correrán a carga del cliente para una reparación efectuada fuera del período de garantía.
- Cualquier gesto comercial no disminuye estos derechos.

La lista previamente mencionada puede ser adaptada según el tipo de artículo (véase el manual del usuario del artículo en cuestión).

DE

Velleman® Service- und Qualitätsgarantie

Seit der Gründung in 1972 hat Velleman® sehr viel Erfahrung als Verteiler in der Elektronikwelt in über 85 Ländern aufgebaut.

Alle Produkte entsprechen den strengen Qualitätsforderungen und gesetzlichen Anforderungen in der EU. Um die Qualität zu gewährleisten werden unsere Produkte regelmäßig einer zusätzlichen Qualitätskontrolle unterworfen, sowohl von unserer eigenen Qualitätsabteilung als auch von externen spezialisierten Organisationen. Sollten, trotz aller Vorsichtsmaßnahmen, Probleme auftreten, nehmen Sie bitte die Garantie in Anspruch (siehe Garantiebedingungen).

Allgemeine Garantiebedingungen in Bezug auf Konsumgüter (für die Europäische Union):

- Alle Produkte haben für Material- oder Herstellungsfehler eine Garantieperiode von 24 Monaten ab Verkaufsdatum.
- Wenn die Klage berechtigt ist und falls eine kostenlose Reparatur oder ein Austausch des Gerätes unmöglich ist, oder wenn die Kosten dafür unverhältnismäßig sind, kann Velleman® sich darüber entscheiden, dieses Produkt durch ein gleiches Produkt zu ersetzen oder die Kaufsumme ganz oder teilweise zurückzahlen. In diesem Fall erhalten Sie ein Ersatzprodukt oder eine Rückzahlung im Werte von 100% der Kaufsumme im Falle eines Defektes bis zu 1 Jahr nach Kauf oder Lieferung, oder Sie bekommen ein Ersatzprodukt im Werte von 50% der Kaufsumme oder eine Rückzahlung im Werte von 50% im Falle eines Defektes im zweiten Jahr.
- Von der Garantie ausgeschlossen sind:
 - alle direkten oder indirekten Schäden, die nach Lieferung am Gerät und durch das Gerät verursacht werden (z.B. Oxidation, Stöße, Fall, Staub, Schmutz, Feuchtigkeit, ...), sowie auch der Inhalt (z.B. Datenverlust), Entschädigung für eventuellen Gewinnausfall.
 - Verbrauchsgüter, Teile oder Zubehörfteile, die durch normalen Gebrauch dem Verschleiß ausgesetzt sind, wie z.B. Batterien (nicht nur aufladbare, sondern auch nicht aufladbare, einbaubare oder ersetzbare), Lampen, Gummiteile, Treibriemen, usw. (unbeschränkte Liste).
 - Schäden verursacht durch Brandschaden, Wasserschaden, Blitz, Unfälle, Naturkatastrophen, usw.
 - Schäden verursacht durch absichtliche, nachlässige oder unsachgemäße Anwendung, schlechte Wartung, zweckentfremdete Anwendung oder Nichtbeachtung von Benutzerhinweisen in der Bedienungsanleitung.
 - Schäden infolge einer kommerziellen, professionellen oder kollektiven Anwendung des Gerätes (bei gewerblicher Anwendung wird die Garantieperiode auf 6 Monate zurückgeführt).
 - Schäden verursacht durch eine unsachgemäße Verpackung und unsachgemäßen Transport des Gerätes.
 - alle Schäden verursacht durch unautorisierte Änderungen, Reparaturen oder Modifikationen, die von einem Dritten ohne Erlaubnis von Velleman® vorgenommen werden.
- Im Fall einer Reparatur, wenden Sie sich an Ihren Velleman®-Verteiler. Legen Sie das Produkt ordnungsgemäß verpackt (vorzugsweise die Originalverpackung) und mit dem Original-Kaufbeleg vor. Fügen Sie eine deutliche Fehlerbeschreibung hinzu.
- Hinweis: Um Kosten und Zeit zu sparen, lesen Sie die Bedienungsanleitung nochmals und überprüfen Sie, ob es keinen auf der Hand liegenden Grund gibt, ehe Sie das Gerät zur Reparatur zurückschicken. Stellt sich bei der Überprüfung des Gerätes heraus, dass kein Geräteschaden vorliegt, könnte dem Kunden eine Untersuchungspauschale berechnet.
- Für Reparaturen nach Ablauf der Garantiefrist werden Transportkosten berechnet.
- Jede kommerzielle Garantie lässt diese Rechte unberührt.

Die oben stehende Aufzählung kann eventuell angepasst werden gemäß der Art des Produktes (siehe Bedienungsanleitung des Gerätes).

PL**Velleman® usługi i gwarancja jakości**

Od czasu założenia w 1972, Velleman® zdobył bogate doświadczenie w dziedzinie światowej elektroniki. Obecnie firma dystrybuuje swoje produkty w ponad 85 krajach.

Wszystkie nasze produkty spełniają surowe wymagania jakościowe oraz wypełniają normy i dyrektywy obowiązujące w krajach UE. W celu zapewnienia najwyższej jakości naszych produktów, przechodzą one regularne oraz dodatkowe wyrывkowe badania kontroli jakości, zarówno naszego wewnętrznego działu jakości jak również wyspecjalizowanych firm zewnętrznych. Pomimo dołożenia wszelkich starań czasem mogą pojawić się problemy techniczne, prosimy odwołać się do gwarancji (patrz warunki gwarancji).

Ogólne Warunki dotyczące gwarancji:

- Wszystkie produkty konsumenckie podlegają 24-miesięcznej gwarancji na wady produkcyjne i materiałowe od daty zakupu.
 - W przypadku, gdy usterka jest niemierzalną do usunięcia lub koszt usunięcia jest nadmiernie wysoki Velleman® może zdecydować o wymianie artykułu na nowy, wolny od wad lub zwrotie zapłaconą kwotę. Zwrot gotówki może jednak nastąpić z uwzględnieniem poniższych warunków:
 - zwrot 100% ceny zakupu w przypadku, gdy wada wystąpiła w ciągu pierwszego roku od daty zakupu i dostawy
 - wymiana wadliwego artykułu na nowy, wolny od wad z odpłatnością 50% ceny detalicznej lub zwrot 50% kwoty ceny nabycia w przypadku gdy wada wystąpiła w drugim roku od daty zakupu i dostawy.
 - Produkt nie podlega naprawie gwarancyjnej:
 - gdy wszystkie bezpośrednio lub pośrednio szkody spowodowane są działaniem czynników środowiskowych lub losowych (np. przez utlenianie, wstrząsy, upadki, kurz, brud, ...), wilgotność;
 - gwarant nie ponosi odpowiedzialności za szkody wynikające z utraty danych;
 - produkty konsumenckie, części zamienne lub akcesoria podatne na proces starzenia, wynikające z normalnego użytkowania, np: baterie (ładowalne, nieladowalne, wbudowane lub wymienne), żarówki, paski napędowe, gumowe elementy napędowe... (nieograniczona lista);
 - usterka wynika z działania pożaru, zalania wszelkimi cieczami, uderzenia pionuna, upadku lub kleski żywiołowej, itp.;
 - usterka wynika z zaniedbań eksploatacyjnych tj. umyślne bądź nieumyślne zaniechanie czyszczenia, konserwacji, wymiany materiałów eksploatacyjnych, niedbalstwa lub z niewłaściwego obchodzenia się lub niezgodnego użytkowania z instrukcją producenta;
 - szkody wynikające z nadmiernego użytkowania gdy nie jest do tego celu przeznaczony tj. działalność komercyjna, zawodowa lub wspólne użytkowanie przez wiele osób - okres obowiązywania gwarancji zostanie obniżony do 6 (sześć) miesięcy;
 - Szkody wynikające ze złe zabezpieczonej wysyłki produktu;
 - Wszelkie szkody spowodowane przez nieautoryzowaną naprawę, modyfikację, przeróbkę produktu przez osoby trzecie jak również bez pisemnej zgody firmy Velleman®.
 - Uszkodzony produkt musi zostać dostarczony do sprzedawcy® Velleman, solidnie zapakowany (najlepiej w oryginalnym opakowaniu), wraz z wyposażeniem z jakim produkt został sprzedany. W przypadku wysyłki towaru w opakowaniu innym niż oryginalnym ryzyko usterki produktu oraz tego skutki przechodzą na właściciela produktu. Wraz z niesprawnym produktem należy dołączyć jasny i szczegółowy opis jego usterki, wady.
 - Wskazówka: Aby zaoszczędzić na kosztach i czasie, proszę szczegółowo zapoznać się z instrukcją obsługi; czy przyczyną wady są okoliczności techniczne czy też wynikają wyłącznie z nieznanymi okoliczności obsługi produktu. W przypadku wysyłki sprawnego produktu do serwisu nabywca może zostać obciążony kosztami obsługi oraz transportu.
 - W przypadku napraw pogwarancyjnych lub odpłatnych klient ponosi dodatkowo koszt wysyłki produktu do i z serwisu.
- wymienione wyżej warunki są bez uszczerbku dla wszystkich komercyjnych gwarancji.
- Powyższe postanowienia mogą podlegać modyfikacji w zależności od wyrobu (patrz art obsługi).**

PT**Garantia de serviço e de qualidade Velleman®**

Desde a sua fundação em 1972 Velleman® tem adquirido uma ampla experiência no sector da electrónica com uma distribuição em mais de 85 países.

Todos os nossos produtos respondem a exigências rigorosas e a disposições legais em vigor na UE. Para garantir a qualidade, submetemos regularmente os nossos produtos a controlos de qualidade suplementares, com o nosso próprio serviço qualidade como um serviço de qualidade externo. No caso improvável de um defeito mesmo com as

nossas precauções, é possível invocar a nossa garantia. (ver as condições de garantia).

Condições gerais com respeito a garantia sobre os produtos grande público (para a UE):

- qualquer produto grande público é garantido 24 meses contra qualquer vício de produção ou materiais a partir da data de aquisição efectiva;
 - no caso da reclamação ser justificada e que a reparação ou substituição de um artigo é impossível, ou quando os custos são desproporcionados, Velleman® autoriza-se a substituir o dito artigo por um artigo equivalente ou a devolver a totalidade ou parte do preço de compra. Em outro caso, será consentido um artigo de substituição ou devolução completa do preço de compra no caso de um defeito no prazo de 1 ano depois da data de compra e entrega, ou um artigo de substituição pagando o valor de 50% do preço de compra ou devolução de 50% do preço de compra para defeitos depois de 1 a 2 anos.
 - estão por consequência excluídos:
 - todos os danos directos ou indirectos depois da entrega do artigo (p.ex. danos ligados a oxidação, choques, quedas, poeiras, areias, impurezas...) e provocado pelo aparelho, como o seu conteúdo (p.ex. perda de dados) e uma indemnização eventual por perda de receitas;
 - consumíveis, peças ou acessórios sujeitos a desgaste causado por um uso normal, como p.ex. pilhas (recarregáveis, não recarregáveis, incorporadas ou substituíveis), lâmpadas, peças em borracha correias... (lista ilimitada);
 - todos os danos que resultem de um incêndio, raios, de um acidente, de uma catastrophe natural, etc.;
 - danos provocados por negligência, voluntária ou não, uma utilização ou manutenção incorrecta, ou uma utilização do aparelho contrária as prescrições do fabricante;
 - todos os danos por causa de uma utilização comercial, profissional ou colectiva do aparelho (o período de garantia será reduzido a 6 meses para uma utilização profissional);
 - todos os danos no aparelho resultando de uma utilização incorrecta ou diferente daquela inicialmente prevista e descrita no manual de utilização;
 - todos os danos depois de uma devolução não embalada ou mal protegida ao nível do acondicionamento.
 - todas as reparações ou modificações efectuadas por terceiros sem a autorização de SA Velleman®;
 - despesas de transporte de e para Velleman® se o aparelho não estiver coberto pela garantia.
 - qualquer reparação será fornecida pelo local de compra. O aparelho será obrigatoriamente acompanhado do talão ou factura de origem e bem acondicionado (de preferência dentro da embalagem de origem com indicação do defeito ou avaria);
 - dica: aconselha-mos a consulta do manual e controlar cabos, pilhas, etc. antes de devolver o aparelho. Um aparelho devolvido que estiver em bom estado será cobrado despesas a cargo do consumidor;
 - uma reparação efectuada fora da garantia, será cobrado despesas de transporte;
 - qualquer garantia comercial não prevalece as condições aqui mencionadas.
- A lista pode ser sujeita a um complemento conforme o tipo de artigo e estar mencionada no manual de utilização.**