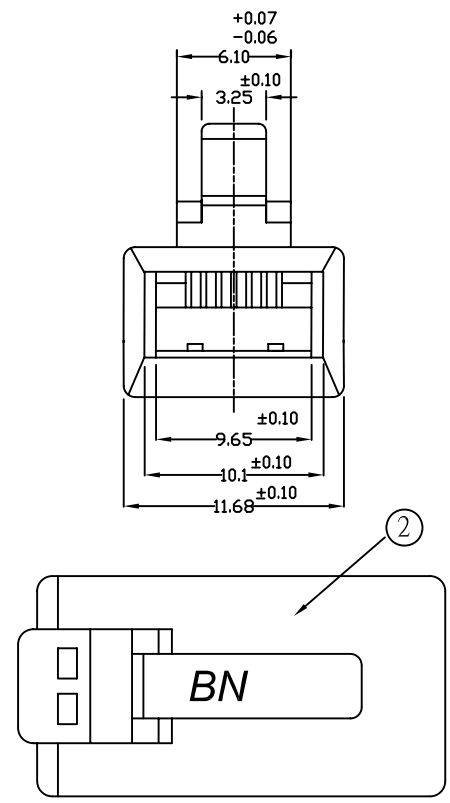
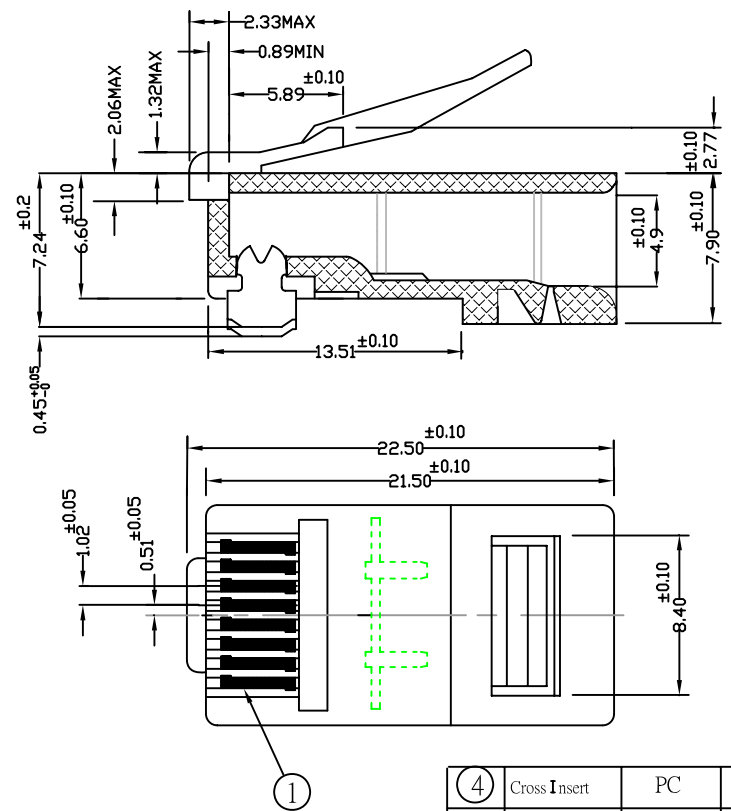
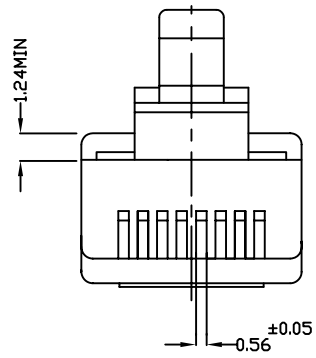
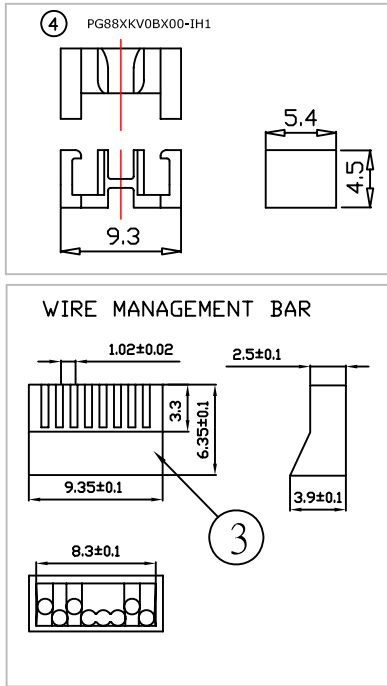
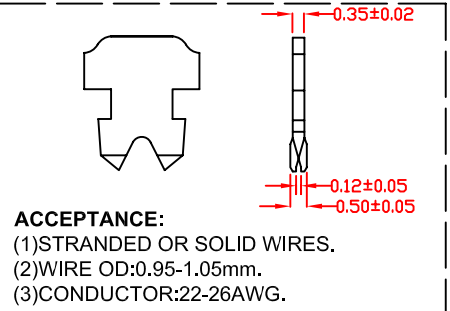


8P8C-6  
MODULAR CONNECTOR RJ45 8P8C CAT6



**SPECIFICATION:**

1. MATERIAL:
  - HOUSING PLASTIC: POLYCARBONATE UL94-V0 or 94-V2
  - CONTACT Pin: PHOSPHOROUS BRONZE, GOLD PLATE OVER NICKEL
2. ELECTRICAL:
  - CURRENT RATING: 1.5 AMPS,
  - VOLTAGE RATING: 250 VOLTS AC MAX,
  - CONTACT RESISTANCE: 30 MILLIOHM MAX,
  - INSULATION RESISTANCE: 500 MEGOHM MIN,
  - DIELECTRIC WITHSTANDING VOLTAGE: 1000V AC FOR 1 MINUTE
3. MECHANICAL:
  - WORKING TEMPERATURE: -25~55° C
  - DURABILITY: 1000 MATING CYCLES MIN
  - TENSILE STRENGTH BETWEEN PLUG AND JACK IS HIGHER THAN 7.7kgf



(4)	Cross Insert	PC	8P	1	PG88XKV0BX00-IH1
(3)	Insert	PC	1' 3' 7' Low Insert	1	PG88XKV00Xf0-IH2
(2)	Housing	PC	8P8C	1	PH88XgV0BXf0-01
(1)	Contact Pin	Cu	High low PIN	3	GP16XXX
				5	GP13XXX
No.	Name	Material	Specification	QTY'	Drawing
APPD.			P/N.	PG88XgV0BXf0-01-G	
CHKD.			FILE	PG88XgV0BXf0-01.DWG	
DR.			TITLE	UTP CAT.6 PLUG	