

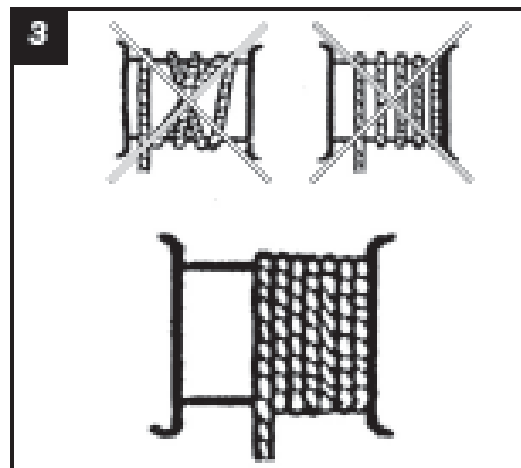
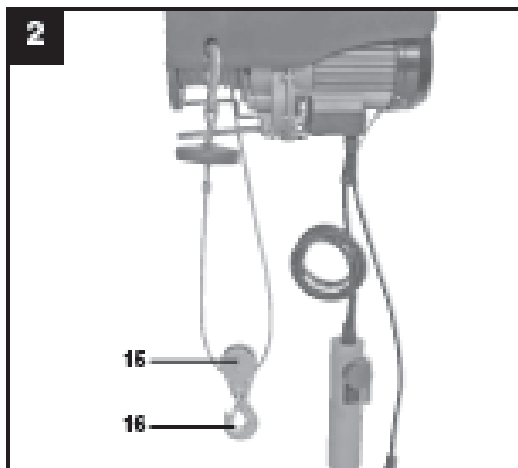
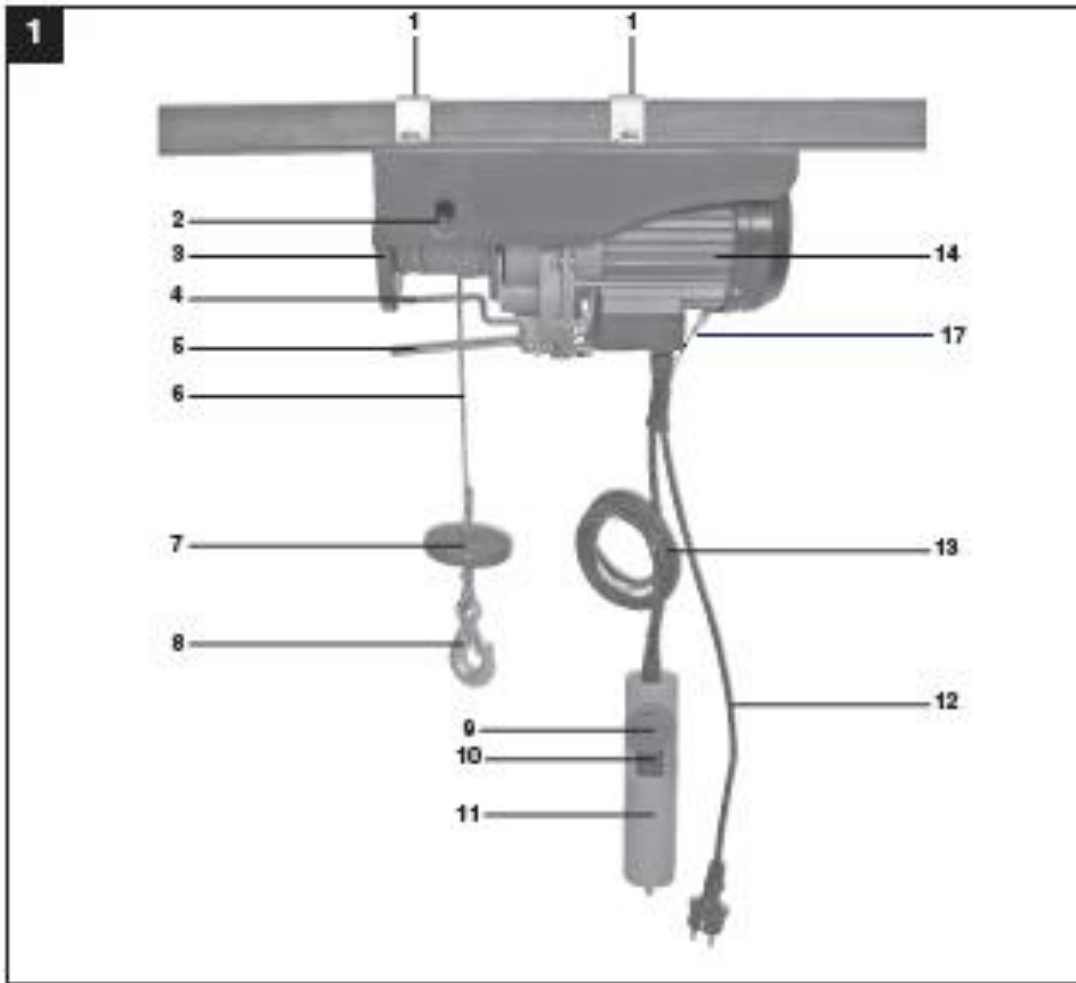
## WEH200/WEH300

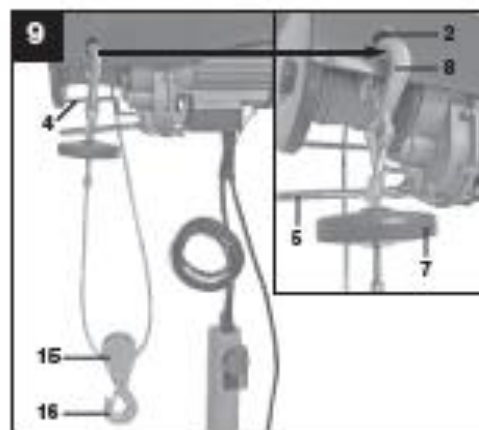
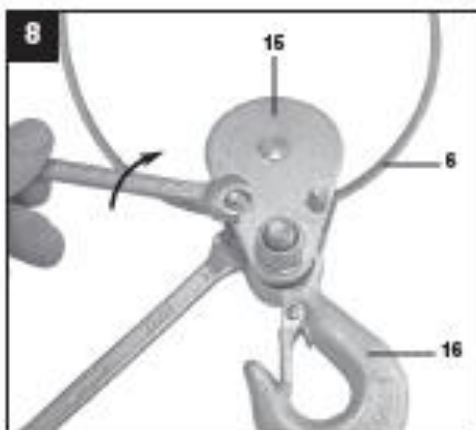
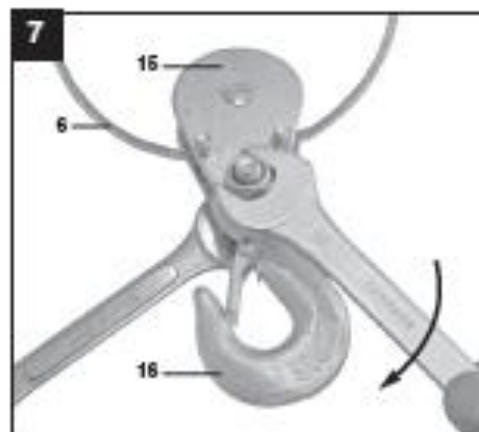
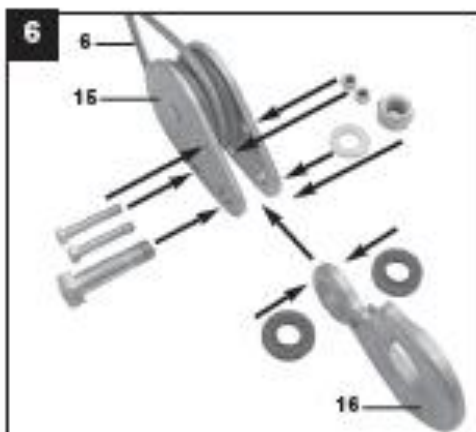
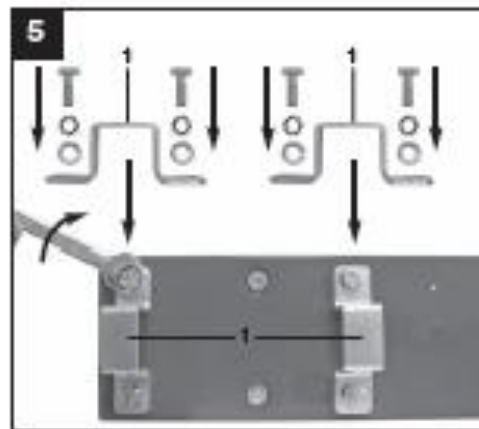
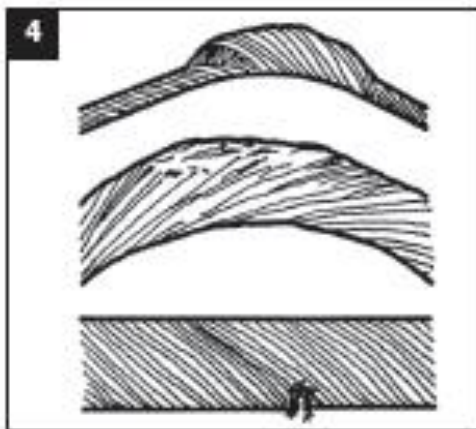
---

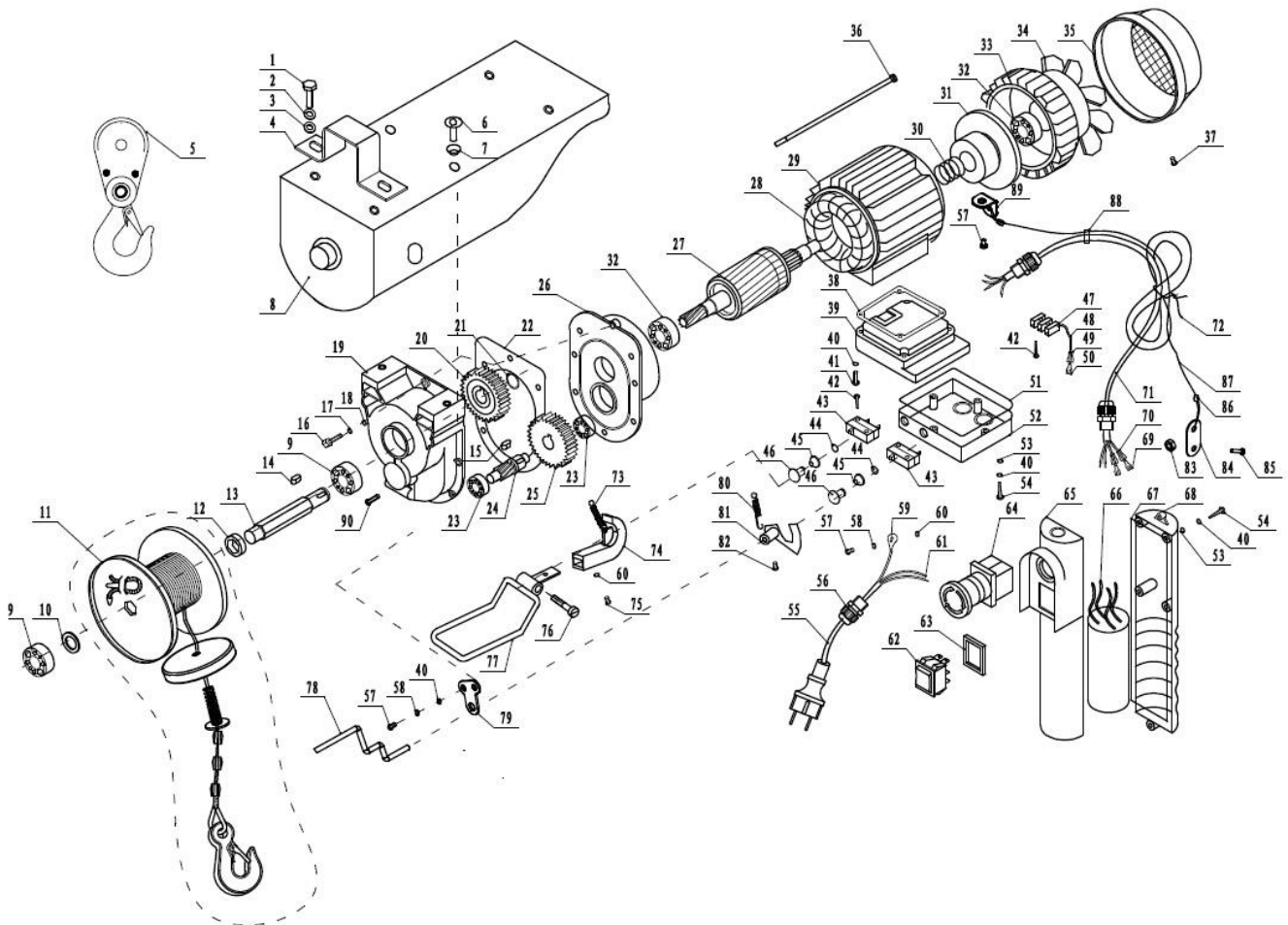
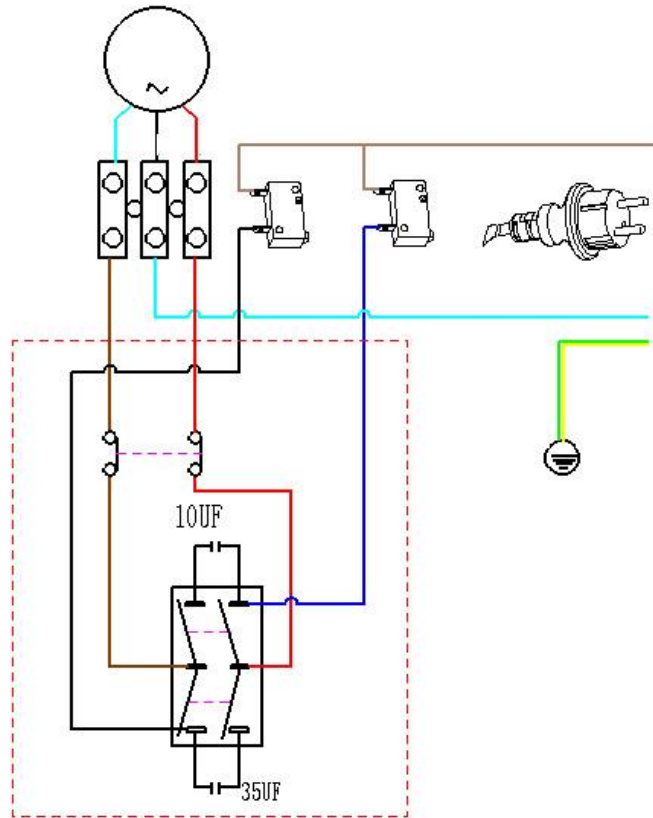


USER MANUAL	5
HANDLEIDING	14
MODE D'EMPLOI	23
MANUAL DEL USUARIO	32
BEDIENUNGSANLEITUNG	41
INSTRUKCJA OBSŁUGI	50
MANUAL DO UTILIZADOR	60









# USER MANUAL

## 1. Introduction



**To all residents of the European Union**

### **Important environmental information about this product**

This symbol on the device or the package indicates that disposal of the device after its lifecycle could harm the environment. Do not dispose of the unit (or batteries) as unsorted municipal waste; it should be taken to a specialized company for recycling. This device should be returned to your distributor or to a local recycling service. Respect the local environmental rules.

**If in doubt, contact your local waste disposal authorities.**

Thank you for choosing Toolland! Please read the manual thoroughly before bringing this device into service. If the device was damaged in transit, do not install or use it and contact your dealer.

## 2. Safety Instructions



Read and understand this manual and all safety signs before using this appliance.



For indoor use only. The cable winch cannot be used outdoors.

- This device can be used by children aged from 8 years and above, and persons with reduced physical, sensory or mental capabilities or lack of experience and knowledge if they have been given supervision or instruction concerning the use of the device in a safe way and understand the hazards involved. Children shall not play with the device. Cleaning and user maintenance shall not be made by children without supervision.
- Never use the appliance to transport persons.
- Never stand or work under the hoisted load.
- Always check that the mains voltage is identical to the voltage quoted on the rating plate. If the mains voltage is not suitable, it may cause the appliance to work abnormally and thus result in personal injury.
- The power supply must be earthed and be secured by a residual current operated circuit breaker (RCCB).
- Keep the immediate working environment clean. Disordered workspaces and workbenches can cause accidents.
- Protect yourself from electrical shock. Avoid physical contact with grounded surfaces (e.g. pipes, heat radiators, stoves or refrigerators).
- Do not attempt to lift loads that exceed the rated load (see the data plate).
- Do not use two or more appliances to load same object.

- Only use the appliance for the purpose for which it is designed. Never lift personnel using the cable hoist.
- Do not pull the power cable in order to pull out the plug. Protect the power cable from heat, oil and sharp edges.
- Never attempt to raise fixed or jammed loads. It is prohibited, to lift a weight crookedly, or to pull it along the floor. It is prohibited, to transport hot molten masses.
- Prohibit unwanted start-ups on loose steel rope. Be sure to hoist the loads with lowest speed from the ground. The cable should be tense but not unwound when start loading from the ground.
- Disconnect from the mains after use.
- Do not pull loads sideways or from one side. Do not allow the load to swing.
- Ensure that the hook moves in the same direction as shown on the control switch.
- The end switch is not allowed to be used as an off-switch or be dismantled, which is a safety device to prevent that the weight is lifted over the boundary.
- Do not leave the load hanging in the air long-term to prevent the deformation of the pieces. Do not carry out any repairs or inspections while the appliance is in operation.
- Check the cable hoist at regular intervals for signs of damage. The control switch must always be in good condition.
- Store the appliance in a proper manner when it is not in use. Store in a dry, high or lockable place, out of the reach of children including plastic bags, boxes, Styrofoam and etc.
- Have repair and service work carried out only by authorized workshops by a trained electrician. Repair work must only be carried out by a trained electrician.
- Do not switch the appliance on and off quickly (inching mode).
- Always concentrate fully when operating the cable hoist.
- Depending on the frequency of use, after 20 hours of continuous operation, the appliance must be taken in for a thorough maintenance (at least once a year).
- If the brakes stop functioning and the load lowers quickly, press the off-switch immediately and then the on-switch. After unloading, please send the appliance to a qualified professional for repairs.

## In case of an emergency

Push the emergency stop button on time in case of danger or emergency. To release the button turn it in a clockwise direction.



## 3. General Guidelines

- Refer to the Velleman® Service and Quality Warranty on the last pages of this manual.
- All modifications of the device are forbidden for safety reasons. Damage caused by user modifications to the device is not covered by the warranty.
- Only use the device for its intended purpose. Using the device in an unauthorised way will void the warranty.
- Damage caused by disregard of certain guidelines in this manual is not covered by the warranty and the dealer will not accept responsibility for any ensuing defects or problems.
- Nor Velleman nv nor its dealers can be held responsible for any damage (extraordinary, incidental or indirect) – of any nature (financial, physical...) arising from the possession, use or failure of this product.
- Keep this manual for future reference.

## 4. Overview

Refer to the illustrations on page 2 of this manual.

<b>1</b>	fastening clamp
<b>2</b>	fastening hole for hook
<b>3</b>	drum
<b>4</b>	lever max. cable length
<b>5</b>	automatic stop lever
<b>6</b>	steel cable
<b>7</b>	cut-out weight
<b>8</b>	load hook
<b>9</b>	emergency stop switch

<b>10</b>	push button
<b>11</b>	remote control
<b>12</b>	power cable
<b>13</b>	control cable
<b>14</b>	motor
<b>15</b>	return roller
<b>16</b>	additional hook
<b>17</b>	remote control cable

## 5. Proper Use

The appliance is designed for lifting and lowering loads in enclosed areas commensurate with the appliance's capacity.

The appliance is to be used only for its prescribed purpose. Any other use is deemed to be a case of misuse. The user/operator and not the manufacturer will be liable for any damage or injuries of any kind caused as a result of this.

Please note that the appliance has not been designed for use in commercial, trade or industrial applications. The warranty will be voided if the appliance is used in commercial, trade or industrial businesses or for equivalent purposes.



## 6. Before Use

### Instructions

- Before connecting the appliance to the mains make sure the mains data matches the data on the rating plate.
- Always disconnect from the mains before making adjustments to the equipment.
- Do a no-loading test before start-up operation at first, and please check:
  - the flexibility of the up/down operating switch to ensure the controlling of appliance and lowering of the load hook.
  - the flexibility of the upper limit bracket to ensure the cut-off of circuit.
  - the flexibility of the lower limit bracket to ensure the cut-off circuit when the steel cable is nearly used up.
  - any abnormal sounds when starting the operation.
  - the steel rope is possibly damaged (split or bent) or reaches 20 hours after using. In this case, change the rope immediately.
- The appliance is not suitable for transporting hot and/or molten masses. In addition, it is not suitable for use at low temperatures or in aggressive atmospheres.
- The appliance belongs to mechanical group M1.
- Ensure that the operator knows how the appliance works and how it should be operated.
- The user should always operate as set out in the operating instructions.
- The appliance is not designed for continuous operation. Its mode of operation is intermittent without influencing the starting process.
- The rated capacity of the appliance does not vary due to the position of the load.
- Please inspect the hook before every operation for possible damage or distortion. Replace it in time.
- The service life of the appliance is approximately 8000 cycles (excluding wearing parts). When the appliance has completed 8000 cycles, all its mechanical parts must be checked and overhauled.
- Operation using a residual current protective device (Red Emergency Stop Switch) offers additional protection under danger and in emergency circumstances. To use the emergency stop switch, screw the switch head in the arrows direction to recover operation after removing the damages.
- Be sure that all parts are sufficiently lubricated. Daub the lubricant on the load hook, cable drum shaft, gear box, and bearing every half a year.

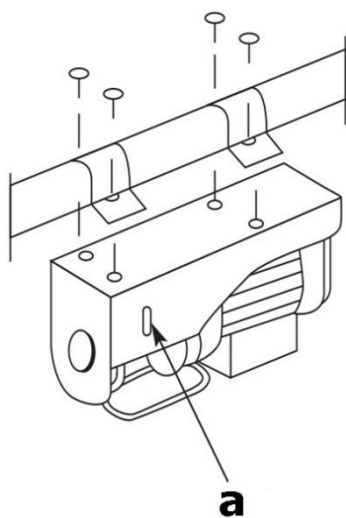
### Unpacking

- After opening the packaging, inspect the frame, the steel cable, the hook and the electric control mechanism for signs of possible transit damage.

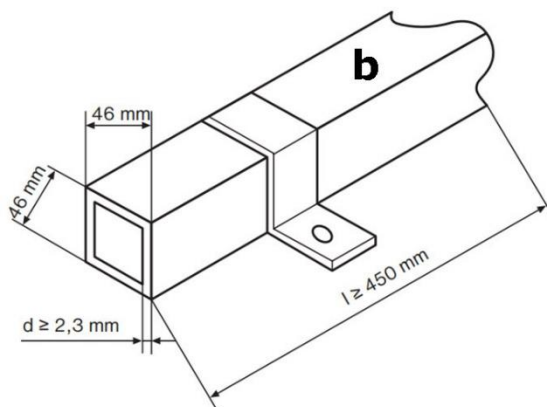
### Assembly and Installation

- The appliance is fitted with two fastening clamps with which it must be fastened to a rectangular tube. The dimensions of the arm must be conform with the size of the fastening clamps and must be capable of supporting twice the rated load. We recommend that you seek advice from a qualified technician.
- All screws must be tightened correctly. A qualified technician should check the anchoring of the arm before the machine is started.
- Install the appliance on a steel beam. Use only the enclosed installation brackets which can be attached to the top of the mounting casing using the screws, washers, and spring lock washers. The steel beam must be able to withstand at least double the rated lifting capacity of the appliance.
- The steel beam must have a diameter of 46 x 46 mm, a wall thickness of at least 2.3 mm and a length of at least 450 mm.
- The steel beam must be securely anchored in a wall. The anchor must be installed correspondingly sturdy in order to be able to withstand the load.
- Please be sure that the appliance is installed level and not slanted.
- The remote control must always be easily accessible and must therefore be installed at a distance to the floor of between 0.8 m and 1.5 m.
- Insert the load hook into the hook bracket of the mounting casing when using the additional load hook with deviating shaft.

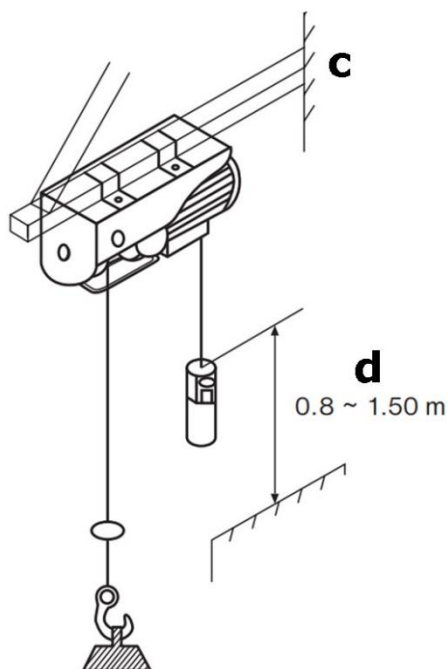




a. hook bracket



b. steel

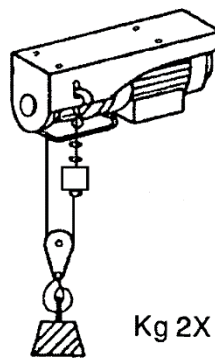
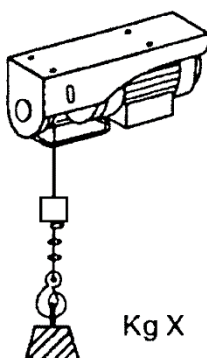


c. remote control  
d. distance to the floor

**Block and Tackle Function**

The appliance is fitted with a return roller and an additional hook. If these parts are used correctly, the appliance can lift twice its rated load.

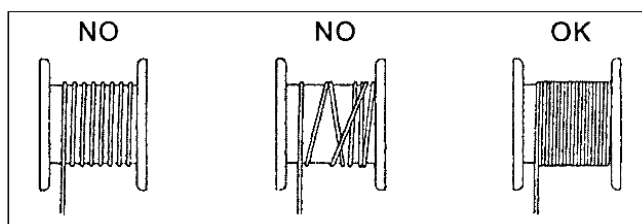
Fit the return roller and additional hook as shown. The permanent hook must be attached to the fastening hole. The load is now raised by two steel cables, which means that the appliance can lift twice its rated load.



## 7. Operation

### Operation Information

- Remove the adhesive tape from the drum before first use.
- The value of the A-rated noise emissions at the operator's position is less than 70 dB.
- Supply voltage: 230 V~ ± 10 %, 50 Hz ± 1 %.
- The appliance must be operated in ambient temperatures of between 5 °C and 40 °C with a relative humidity of less than 90 %. Height above sea level: max. 1,000 m.
- The temperature for transport and storage may be between -25 °C and 55 °C. The maximum temperature must not exceed 70 °C.
- The user should lift the load off the ground at the slowest possible speed. The cable should be taut when the load is raised.
- The motor for the appliance is fitted with a thermostat switch. Whilst the appliance is operating, the motor may therefore stop. It will restart automatically when it has cooled down.
- The appliance is not fitted with a rated power limiter. You should therefore not repeat attempts to lift a load if the overload trip is limiting the appliance's operation. In this case the load exceeds the rated capacity of the appliance.
- Do not leave any suspended loads unsupervised without first taking the appropriate safety precautions.
- Fit the appliance with a 10 A fuse or a 10 A residual current operated circuit breaker (RCCB) to protect the circuit.
- Do not use the lever as a routine stopping device. It should only be used to stop the appliance in an emergency.
- Before you start, ensure that the steel cable is correctly wound around the drum and that the spacing between the winds is smaller than the steel cable.



- Ensure that the load is correctly secured to the hook or, if you are using the block and tackle, the additional hook, and always maintain a safe distance from the load and the steel cable.

### Operation

- Check whether the emergency stop switch is pressed. Turn the red stop switch clockwise to release it.
- Press ▲ to raise the load.
- Press ▼ to lower the load.
- Automatic stop mechanism lever: when the maximum lifting height has been reached, the cut-out weight presses the lever upwards. This trips a limit switch after which the load cannot be raised any further.
- Lever for maximum cable length: when the load has reached its lowest possible position, a limit switch is tripped which makes it impossible to lower the load any further. This limit switch also prevents the appliance operating in the wrong direction (hook moving in the opposite direction to the arrow shown on the control switch).
- The appliance will stop if the emergency stop switch is pressed.
- In an emergency, immediately press the emergency stop switch to stop the appliance. The appliance cannot be operated if the emergency stop switch has been pressed.

### Intermittent Rating

This appliance is designed for operating type S3 20 % - 10 min. (periodic intermittent operation). The relative duty cycle is 20 %, which means that the appliance can be operated at rated load for 2.0 minutes during each operating cycle and must then be switched off for 8 minutes to cool off. The appliance can therefore be continuously used for a duration of 20 % of the total operating cycle of 10 minutes at rated load.

### Overload

- The appliance is not suitable for continuous operation. The motor is protected from overload and overheating by a temperature switch.
- If the permissible operating time is exceeded, the motor temperature will increase and the temperature switch will shut the appliance off. The temperature switch will automatically switch back on after a cooling phase.
- In case of a strain on the appliance with a lesser load, the operating time will increase and the cooling time will decrease.
- In case of direct exposure to sunlight, the temperature of the casing will increase significantly, which will also decrease the permissible operating time. It is therefore possible that the temperature switch will switch off after a short period and the appliance will shut down. Please wait until the device is cooled off.

## 8. Care and Maintenance



### WARNING



- Always disconnect the appliance from the mains before starting any cleaning, maintenance or servicing work.
- In the following: One cycle means one raising and lowering movement of a load. Periodic inspection means an inspection after 100 cycles.

### Cleaning

- Keep all safety devices, air vents and the motor housing free of dirt and dust.
- Wipe the appliance with a clean cloth or blow it with compressed air at low pressure. Clean the appliance regularly with a moist cloth and some soft soap. Do not use cleaning agents or solvents as these could attack the plastic parts of the appliance. Ensure that no water can seep into the appliance.
- We recommend that you clean the appliance immediately after each use.

### Maintenance

- A check must be made every 30 cycles to find whether the entire steel cable is in good condition. If it is damaged (split or bent, see illustration below), it must be replaced by a steel cable of the type specified in the technical data.



- Check that the power supply cable, motor stop switch and the push button are in good working condition.

### Servicing

- Periodically test that the limit switches on the cable hoist are in correct working order. Conduct this test as follows: when the cable has reached the maximum height, the lever on the automatic stopping mechanism will be actuated. The motor must then stop (test without a load).

- When the steel cable has been unwound as far as possible, the lever for the maximum cable length will be actuated. The motor must then stop.
- Inspect the mains cable and the control cable periodically.
- The steel cable and return roller must be greased every 200 cycles.
- Check every 1000 cycles whether the screws for the fastening clamps and return roller are properly tightened.
- Check every 1000 cycles whether the hooks and return roller are in good condition.
- Check before using the appliance whether the emergency stop switch and pushbuttons are in perfect working order.
- Check the braking system every 1000 cycles. If the motor makes any unusual noises or cannot raise the rated load, it is possible that the braking system requires an overhaul:
  - Replace damaged or worn parts and keep the service documentation relating to this in a safe place.
  - Please contact an authorized service centre for any unscheduled maintenance work.

**Storage**

- Store the appliance and its accessories out of the reach of children, in a dark and dry place at above freezing temperature. The ideal storage temperature is between 5 and 30 °C. Store the appliance in its original packaging.

**9. Troubleshooting**

Malfunction	Cause	Solution
The on-off switch does not work.	It is not plugged into the power supply.	Connect to the power supply.
	The wires are broken or ripped.	Check the wires and re-connect to the power supply.
	Switch malfunction.	Repair switch or change it.
	The capacitor is burned through.	Change your capacitor.
	End-switch has not been reset or a limit switch error.	Check the end-switch and replace the limit switch.
	The thermal switch has suffered a wire break.	Wait until the item cools down or replace the thermal switch.
The dual-direction switch has been activated. The motor is very loud but cannot pick-up the load.	The voltage offered is too small.	Adjust the work, depending on the power supply.
	The capacitor has become damaged.	Change power supply.
	The brake is not completely open.	Allow the appliance to be repaired from a qualified repair service.
After a power loss the brakes do not hold or the appliance slips down.	The gap between the brakes is too large.	Allow the appliance to be repaired from a qualified repair service.
	The brake spring is ripped.	
	The brake disk is locked.	
	The brake disk is dirty.	
The noise of the machine becomes louder	Badly oiled.	Oil/Grease the appliance.
	After a long use, the cogwheel and bearings are damaged.	Change the cogwheel or bearings.
	Badly installed or dent.	Check the installed parts.

The appliance is statically charged.	Earthed error or no connection to earth.	Checked earthed wires and properly connect them.
	The internal connectors are touching the housing.	Check all internal connections.
End-switch is not functioning.	The end-switch is defect.	Switch off or change.
	The end-switch is blocked.	Check, repair, and change end switch.

## 10. Technical Specifications

### WEH200

power supply .....	max. 230 V~, 50 Hz
power consumption.....	1000 W
single-hook configuration	
max. load capacity .....	200 kg
lifting height .....	12 m
lifting speed .....	8 m/min.
double-hook configuration	
max. load capacity .....	400 kg
lifting height .....	6 m
lifting speed .....	4 m/min.
cable dimensions .....	Ø 4 mm x 12 m
sound pressure level (LWA) .....	71 dB(A)

### WEH300

power supply .....	max. 230 V~, 50 Hz
power consumption.....	1050 W
single-hook configuration	
max. load capacity .....	300 kg
lifting height .....	12 m
lifting speed .....	8 m/min.
double-hook configuration	
max. load capacity .....	600 kg
lifting height .....	6 m
lifting speed .....	4 m/min.
cable dimensions .....	Ø 4.5 mm x 12 m
sound pressure level (LWA) .....	71 dB(A)

**Use this device with original accessories only. Velleman nv cannot be held responsible in the event of damage or injury resulting from (incorrect) use of this device. For more info concerning this product and the latest version of this manual, please visit our website [www.velleman.eu](http://www.velleman.eu). The information in this manual is subject to change without prior notice.**

#### © COPYRIGHT NOTICE

**The copyright to this manual is owned by Velleman nv. All worldwide rights reserved.** No part of this manual may be copied, reproduced, translated or reduced to any electronic medium or otherwise without the prior written consent of the copyright holder.

# HANDLEIDING

## 1. Inleiding



### Aan alle ingezetenen van de Europese Unie

#### Belangrijke milieu-informatie betreffende dit product

Dit symbool op het toestel of de verpakking geeft aan dat, als het na zijn levenscyclus wordt weggegooid, dit toestel schade kan toebrengen aan het milieu. Gooi dit toestel (en eventuele batterijen) niet bij het gewone huishoudelijke afval; het moet bij een gespecialiseerd bedrijf terecht komen voor recycling. U moet dit toestel naar uw verdeler of naar een lokaal recyclingpunt brengen. Respecteer de plaatselijke milieuwetgeving.

**Hebt u vragen, contacteer dan de plaatselijke autoriteiten betreffende de verwijdering.**

Dank u voor uw aankoop! Lees deze handleiding grondig door voor u het toestel in gebruik neemt. Werd het toestel beschadigd tijdens het transport, installeer het dan niet en raadpleeg uw dealer.

## 2. Veiligheidsvoorschriften



Lees en begrijp deze handleiding en de veiligheidsinstructies vóór ingebruikname.



Enkel geschikt voor gebruik binnenshuis! Het toestel is niet geschikt voor gebruik buitenshuis.

- Dit toestel is geschikt voor gebruik door kinderen vanaf 8 jaar, door personen met fysieke, zintuiglijke of verstandelijke beperkingen, of door personen met gebrek aan ervaring en kennis, op voorwaarde dat dit onder toezicht gebeurt van een persoon die verantwoordelijk is voor hun veiligheid of hun aanwijzingen heeft gegeven, hoe zij het toestel moeten gebruiken en zich bewust zijn van de risico's die het gebruik van het toestel met zich meebrengt. Kinderen mogen niet met het toestel spelen. De reiniging en het onderhoud van het toestel mogen niet worden uitgevoerd door kinderen, tenzij ze onder toezicht staan.
- Gebruik het toestel nooit om mensen te transporteren.
- Sta of werk nooit onder een hangende last.
- Controleer steeds of de netspanning overeenkomt met de spanning vermeld op het typeplaatje. Indien de netspanning niet geschikt is, kan dit leiden tot een abnormale werking van het toestel en tot lichamelijke letsels.
- De stroomtoevoer moet voorzien zijn van een aarding en beveiligd zijn door een aardlekschakelaar.
- Houd de werkplaats proper. Onverzorgde werkplaatsen en werkbanken kunnen ongevallen veroorzaken.
- Bescherm uzelf tegen elektrische schokken. Vermijd lichaamscontact met geaarde objecten (bv.
- Overschrijd de maximale draagcapaciteit van de takel niet (zie typeplaatje).

- Gebruik geen 2 of meerdere takels om een voorwerp te tillen.
- Gebruik het toestel alleen voor het beoogde gebruiksdoeleinde. Hijs nooit personen met de takel.
- Trek niet aan de kabel om de stekker uit het stopcontact te verwijderen. Houd de voedingskabel verwijderd van hitte, olie en scherpe randen.
- Probeer nooit vastzittende of geblokkeerde lasten te hijsen. Het is verboden het gewicht scheef te hijsen of het over de grond te slepen. Het is verboden hete en/of gesmolten massa's te transporteren.
- Het onbedoeld starten met ongespannen staalkabel is niet toegestaan. Til de lasten op de kleinst mogelijke snelheid vanaf de grond. De kabel moet gespannen zijn, maar niet ontrold wanneer u begint de last te tillen.
- Ontkoppel het toestel van het lichtnet na gebruik.
- Het is verboden lasten zijdelings of naar de zijkant te trekken. Vermijd dat de last schommelt.
- Zorg ervoor dat de haak in dezelfde richting beweegt zoals weergegeven op de drukknop.
- De eindschakelaar mag niet als uit-schakelaar worden gebruikt en mag ook niet gedemonteerd worden. De eindschakelaar is een veiligheidsvoorziening, om te voorkomen dat het gewicht over een bepaalde grens heen beweegt.
- Het is verboden het gewicht langdurig in de lucht te laten hangen, om vervorming van de onderdelen te vermijden. Voer geen reparaties of controles uit tijdens het werken met het toestel.
- Controleer het toestel regelmatig op beschadigingen. De bedieningsschakelaar moet altijd in goede staat zijn.
- Berg het toestel op wanneer het niet in gebruik is. Bewaar het toestel en de verpakking (plastic zakken, kartonnen dozen, piepschuim, enz.) op een droge, hoge of afsluitbare plaats, buiten het bereik van kinderen.
- Laat reparaties en onderhoudswerkzaamheden alleen in geautoriseerde vakkundige servicewerkplaatsen door een elektricien uitvoeren. Reparaties mogen alleen door een elektricien worden uitgevoerd.
- Vermijd snel in- en uitschakelen (tiptoetsbediening).
- Wees altijd alert bij de bediening van het toestel.
- Naargelang de gebruiksfrequentie moet de takel na een continu gebruik van 20 uren aan een grondig onderhoud worden onderworpen (minstens 1 keer per jaar).
- Als de rem niet meer werkt en de last snel daalt, druk onmiddellijk de uit-schakelaar in en vervolgens de uit-schakelaar in. Na het neerzetten van de last, laat het toestel onmiddellijk controleren door een vakman.



## In noodgeval

In geval van gevaar of nood, druk op de noodstopknop om het toestel te stoppen. Om te ontgrendelen, draai de noodstop-knop met de klok mee.



## 3. Algemene richtlijnen

- Raadpleeg de Velleman® service- en kwaliteitsgarantie achteraan deze handleiding.
- Om veiligheidsredenen mag u geen wijzigingen aanbrengen. Schade door wijzigingen die de gebruiker heeft aangebracht valt niet onder de garantie.
- Gebruik het toestel enkel waarvoor het gemaakt is. De garantie vervalt automatisch bij ongeoorloofd gebruik.
- De garantie geldt niet voor schade door het negeren van bepaalde richtlijnen in deze handleiding en uw dealer zal de verantwoordelijkheid afwijzen voor defecten of problemen die hier rechtstreeks verband mee houden.
- Noch Velleman nv noch zijn verdelers kunnen aansprakelijk gesteld worden voor schade (buitengewoon, incidenteel of onrechtstreeks) – van welke aard dan ook (financieel, fysisch...) voortvloeiend uit het bezit, gebruik of falen van dit product.
- Bewaar deze handleiding voor verdere raadpleging.

## 4. Omschrijving

Raadpleeg de afbeeldingen op pagina 2 van deze handleiding.

<b>1</b>	montagebeugel
<b>2</b>	bevestigingsgat voor haak
<b>3</b>	kabeltrommel
<b>4</b>	hendel voor maximale kabellengte
<b>5</b>	hendel van het automatische stopmechanisme
<b>6</b>	staalkabel
<b>7</b>	uitschakelgewicht
<b>8</b>	haak
<b>9</b>	noodstopknop

<b>10</b>	drukknop
<b>11</b>	afstandsbediening
<b>12</b>	voedingskabel
<b>13</b>	bedieningskabel
<b>14</b>	motor
<b>15</b>	geleiderrol
<b>16</b>	extra haak
<b>17</b>	kabel afstandsbediening

## 5. Correct gebruik

Het toestel is bestemd voor het tillen en laten zakken van vracht in gesloten ruimtes overeenkomstig het vermogen van het toestel.

Het toestel mag alleen gebruikt worden zoals beschreven. Ieder ander gebruik is niet doelmatig. De gebruiker/bediener en niet de fabrikant is aansprakelijk voor hieruit voortvloeiende schade of letsel.

Het toestel is niet ontwikkeld voor commercieel, ambachtelijk of industrieel gebruik. De garantie vervalt indien het toestel in ambachtelijke of industriële bedrijven of voor gelijkaardige activiteiten wordt gebruikt.

## 6. Voor gebruik

### Instructies

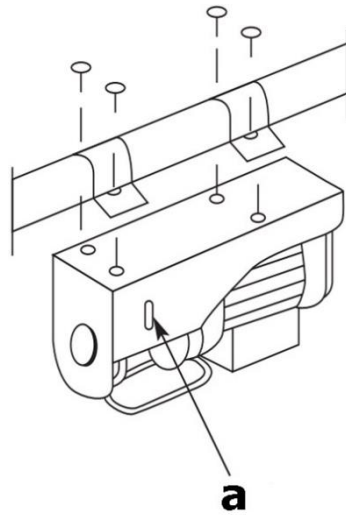
- Voordat u het toestel op de lichtnet aansluit, controleer of de gegevens op het typeplaatje identiek zijn aan de voedingsspanning.
- Trek altijd de stekker uit het stopcontact voordat u aanpassingen aan het toestel uitvoert.
- Voer een test zonder last uit en controleer de volgende punten:
  - De flexibiliteit van de "Op/Neer-knop (up/down), voor een goede controle van de beweging van de lasthaak.
  - De werking van de bovenste stop, die de stroomtoevoer onderbreekt.
  - De werking van de onderste stop, die de stroomtoevoer onderbreekt als de kabel bijna ontrold is.
  - Abnormale geluiden tijdens de werking.
  - Als de staalkabel beschadigd is (gerafeld of gebogen), of als deze 20 werkuren heeft bereikt. Vervang de kabel onmiddellijk.
- Het toestel is niet geschikt voor het transporteren van hete en /of gesmolten massa's. Bovendien is het toestel niet geschikt voor gebruik bij lage temperaturen en door het weer beïnvloedde omgevingen.
- Het toestel behoort tot mechanische groep M1.
- Zorg ervoor dat de operator vertrouwd is met de werking en de bediening van het toestel.
- Het toestel moet steeds bediend worden zoals aangegeven in de handleiding.
- Het toestel is niet geschikt voor continu gebruik. De bedrijfsmodus is intermitterend zonder invloed van het startproces.
- Het nominale vermogen van het toestel varieert niet volgens de positie van de last.
- Controleer de haak vóór gebruik op beschadiging of vervorming en vervang deze tijdig.
- De gebruiksduur van het toestel is ca. 8000 cycli (excl. aan slijtage onderhevige onderdelen). Na 8000 cycli moeten alle mechanische onderdelen gecontroleerd en gereviseerd worden.
- Nadat de noodstop werd geactiveerd, draai de knop in de richting van de pijl, om deze te ontgrendelen nadat het gevaar verwijderd is.
- Zorg voor een voldoende smering van de onderdelen.

### Uitpakken

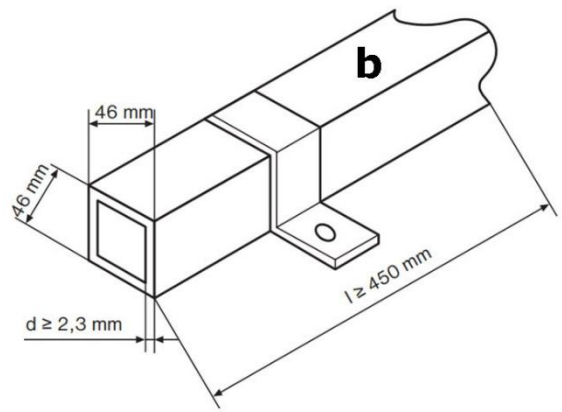
- Na het openen van de verpakking dient u het toestel, de staalkabel, de haak, de hendel voor de maximale kabellengte en de hendel voor het automatische stopmechanisme op eventuele transportbeschadigingen te controleren.

### Montage en installatie

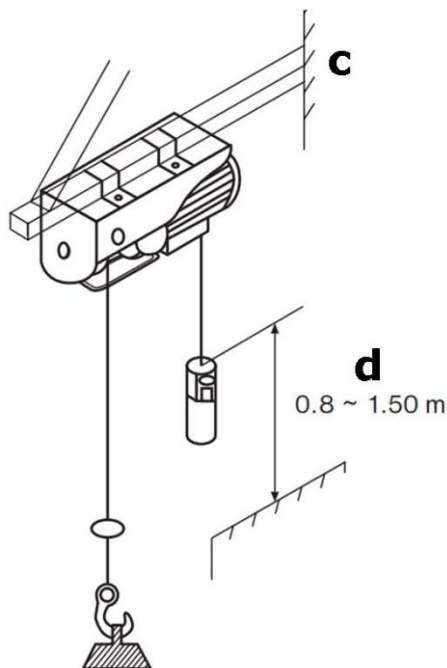
- Bevestig het toestel met de 2 bevestigingsbeugels aan een rechthoekige buis/zwenkarm. De afmetingen van de vierkante buis/zwenkarm dienen overeen te komen met de grootte van de bevestigingsbeugels en moet de dubbele nominale last kunnen dragen. Wij raden u aan om een vakman te raadplegen.
- Alle schroeven en bouten moeten stevig aangedraaid zijn. Vóór de inbedrijfstelling moet een vakman de verankering van de vierkante buis/zwenkarm controleren.
- Installeer het toestel op een stalen balk. Gebruik enkel de meegeleverde houders, die aan de bovenkant van de behuizing bevestigd kan worden door middel van de schroeven, sluitringen en veerringen. De stalen balk moet minstens tweemaal het gewicht van het toestel kunnen dragen.
- De stalen balk moet een minimale diameter van 46 mm hebben, een wanddikte van tenminste 2.3 mm en een lengte van tenminste 450 mm.
- De stalen balk moet stevig in de muur bevestigd zijn. De bevestiging moet stevig genoeg zijn om de last te dragen.
- Zorg ervoor dat de takel horizontaal wordt geïnstalleerd, en niet schuin.
- De afstandsbediening moet op elk ogenblik bereikbaar zijn, en moet dus op een afstand tussen 0.8 m en 1.5 m van de grond geïnstalleerd worden.
- Steek de lasthaak in de haakhouder van de behuizing, wanneer u een extra haak gebruikt met een afwijkende as.



a. haakhouder



b. staal

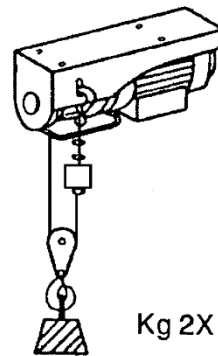
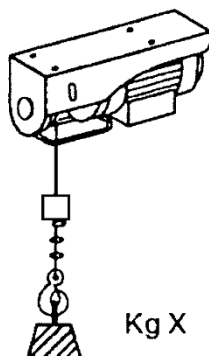


c. afstandsbediening  
d. afstand tot de grond

**Takelfunctie**

De kabeltakel is voorzien van een geleiderrol en een extra haak. Bij correct gebruik kan het toestel de dubbele last hijsen.

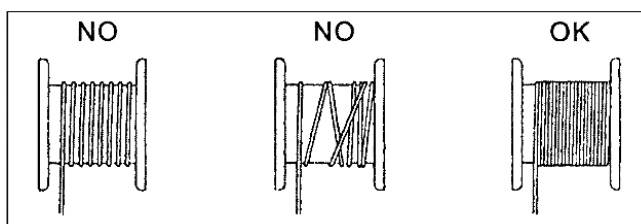
Monteer de geleiderrol en de extra haak (zie afb.). Haak de vast gemonteerde haak aan de bevestigingsopening. De last wordt nu met behulp van twee staalkabels opgetild, het toestel kan zodoende de dubbele last tillen.



## 7. Bediening

### Informatie

- Verwijder voor de eerste ingebruikname het plakband van de kabeltrommel.
- De waarde van de A-beoordeelde geluidsemissie bij de gebruikerspositie is lager dan 70 dB.
- Voedingsspanning: 230 V~ ± 10 %, 50 Hz ± 1 %.
- Het toestel moet gebruikt worden bij omgevingstemperaturen tussen 5 °C en 40 °C en een relatieve luchtvochtigheid lager dan 90%. Hoogte boven zeeniveau: max. 1.000 m.
- Voor transport en opslag mag de temperatuur tussen -25 °C en 55 °C liggen. De maximale toegestane temperatuur is 70 °C.
- De gebruiker moet de last met de laagst mogelijke snelheid van de grond omhoogtillen. De kabel moet strak staan wanneer de last wordt gehesen.
- De motor van het toestel is uitgerust met een thermostaatschakelaar. Tijdens de werking van het toestel is het mogelijk dat de motor stopt. De motor zal automatisch herstarten zodra hij afgekoeld is.
- Het toestel is niet voorzien van een begrenzer voor het nominale vermogen. Probeer daarom de last niet te hijsen als de oververhittingsbeveiliging het gebruik begrenst. De last overschrijdt in dit geval het nominale vermogen van het toestel.
- Laat geen hangende lasten zonder toezicht zonder dat geschikte veiligheidsvoorzieningen worden genomen.
- Beveilig het toestel met een 10 A-zekering of een 10 A-aardlekschakelaar om de stroomkring te beschermen.
- Gebruik de hendel niet als routine stopvoorziening. Deze is enkel bedoeld als stopvoorziening in noodgevallen.
- Voordat u begint dient u ervoor te zorgen dat de staalkabel correct om de trommel is gewikkeld en de afstand tussen de wikkelingen kleiner dan de staalkabel is.



- Zorg ervoor dat de last correct aan de haak, of bij gebruik als katrol aan de extra haak veilig is vastgemaakt en houd steeds afstand tot de last en de staalkabel.

### Bediening

- Controleer of de noodstopkop is ingedrukt. Draai de noodstopkop met de wijzers van de klok mee om te ontgrendelen.
- Druk op ▲ om de last te hijsen.
- Druk op ▼ om de last te laten zakken.
- Hendel van het automatische stopmechanisme: als de maximale hijshoogte is bereikt, drukt het uitschakelgewicht de hendel omhoog. Hierdoor wordt een eindschakelaar geactiveerd en kan de last niet verder worden gehesen.
- Hendel voor maximale kabellengte: wanneer de last de onderste mogelijke positie heeft bereikt, wordt een eindschakelaar geactiveerd die verhindert dat de last verder kan zakken. Deze eindschakelaar verhindert eveneens de werking van het toestel in de foutieve richting (haak beweegt zich in de tegengestelde richting van de richting die op de drukknop wordt weergegeven).
- Als u op de noodstopkop drukt, stopt het toestel.
- In geval van nood, druk onmiddellijk de noodstopkop om het toestel te stoppen. De bediening van het toestel is niet mogelijk als de noodstopknop geactiveerd is.

**Intermitterende werking**

(periodieke intermitterende werking). Het toestel mag dus voor een duur van 20% van de totale werkcyclus van 10 minuten bij nominale belasting gebruikt worden.

**Overbelasting**

- Het toestel is niet geschikt voor een continu gebruik.
- De thermische schakelaar zal automatisch gedeactiveerd worden na de motor afgekoeld is.
- Als het toestel takel voor een minder zware last gebruikt wordt, zal de werkingsduur langer zijn, et de koeltijd korter zijn.
- De thermische schakelaar kan dan vroeger geactiveerd worden. Wacht tot de motor afgekoeld is.

**8. Reiniging en onderhoud****WAARSCHUWING**

- Trek de stekker voor het onderhoud of de reiniging van het toestel.
- Navolgend: Een cyclus komt overeen met een op- en neerwaartse beweging van een last. Periodieke controle komt overeen met een controle na 100 cycli.

**Reiniging**

- Houd alle veiligheidsvoorzieningen, ventilatieopeningen en de motorbehuizing vrij van stof en vuil.
- Reinig het toestel met een propere doek af of blaas het met perslucht met een lage druk uit. Reinig het toestel regelmatig met een vochtige doek en milde zeep. Gebruik geen oplosmiddel, dat de kunststof onderdelen kan beschadigen. Zorg ervoor dat er geen water in het toestel kan terecht komen.
- Reinig het toestel onmiddellijk na elk gebruik.

**Onderhoud**

- Controleer iedere 30 cycli of de complete staalkabel in een goede toestand verkeert. Indien de kabel beschadigd is, dan moet deze door een staalkabel worden vervangen die overeenkomt met de technische gegevens.



- Controleer of de voedingskabel, de motorstopschakelaar en de drukknop in goede staat zijn.

**Onderhoud**

- Test regelmatig of de eindschakelaars van het toestel correct functioneren. Ga als volgt te werk: zodra de kabel de maximale hoogte heeft bereikt, wordt de hendel van het automatische stopmechanisme geactiveerd. De motor moet nu stoppen.
- Wanneer de staalkabel zo ver mogelijk is afgewikkeld, wordt de hendel voor maximale kabellengte geactiveerd. De motor moet nu stoppen.
- Test regelmatig de stroomkabel en de bedieningskabel.
- Smeer de staalkabel en de geleiderrol iedere 200 cycli.
- Controleer om de 1000 cycli of de bouten van de bevestigingsbeugels en de geleiderrol stevig vastgedraaid zijn.
- Controleer om de 1000 cycli of de haken en de geleiderrol in goede staat zijn.
- Controleer vóór elk gebruik van het toestel of de noodstopkop en de drukknop in perfecte bedrijfstoestand verkeren.

- Controleer het remsysteem om de 1000 cycli. Als de motor abnormale geluiden maakt of de nominale last niet kan hijsen moet het remsysteem mogelijk worden gereviseerd:
  - Vervang beschadigde of versleten onderdelen en bewaar de bijhorende onderhoudsdocumentatie op een veilige plaats.
  - Voor extra onderhoudswerkzaamheden, contacteer een geautoriseerd servicecenter.

### Opslag

- Bewaar het toestel en toebehoren buiten het bereik van kinderen op een donkere, droge en vorstvrije plaats. De ideale opslagtemperatuur is tussen 5 °C en 30 °C. Bewaar het toestel in de originele verpakking.

## 9. Probleemoplossing

Storing	Oorzaak	Oplossing
De aan/uit-schakelaar werkt niet.	Het toestel is niet aangesloten.	Sluit het toestel aan.
	De elektrische kabels zijn beschadigd.	Controleer en sluit de kabels aan.
	Schakelaar defect.	Repareer of vervang de schakelaar.
	De condensator is doorgebrand.	Vervang de condensator.
	De veiligheidsschakelaar werd niet gereset, of fout van de veiligheidsschakelaar.	Controleer de veiligheidsschakelaar en vervang deze indien nodig.
	De thermische schakelaar werd ingeschakeld of is defect.	Wacht tot het toestel afgekoeld is, of vervang de thermische schakelaar.
De richtingsschakelaar werd bediend. De motor maakt veel lawaai, maar de last kan niet opgetild worden.	De netspanning is te laag.	Pas het werk aan de netspanning aan.
	De condensator is beschadigd.	Vervang de stroomtoevoer.
	De rem is niet volledig los.	Laat het toestel door een vakman repareren.
Na een stroomuitval, houden de remmen de last niet, of de last glijdt.	De afstand tussen de remmen is te groot.	Laat het toestel door een vakman repareren.
	De remveer is gescheurd.	
	De remschijf zit vast.	
	De remschijf is vuil.	
Het toestel maakt steeds meer lawaai.	Onvoldoende smering.	Smeer het toestel.
	Na een lange werkingsduur, zijn het tandwiel en de lagers beschadigd.	Vervang het tandwiel of de lagers.
	Het toestel is niet correct geïnstalleerd.	Controleer de installatie.

Te hoge spanning.	Foute aarding.	Controleer de draden en sluit deze correct aan.
	De interne aansluitingen zijn in contact met de behuizing.	Controleer alle interne aansluitingen.
De eindschakelaar werkt niet.	De eindschakelaar is defect.	Schakel uit of vervang.
	De eindschakelaar is geblokkeerd.	Controleer, repareer of vervang de eindschakelaar.

## 10. Technische specificaties

### WEH200

voeding .....	max. 230 V~, 50 Hz
verbruik .....	1000 W
1 haak	
max. draagvermogen .....	200 kg
hijshoogte.....	12 m
hijssnelheid.....	8 m/min.
2 haken	
max. draagvermogen .....	400 kg
hijshoogte.....	6 m
hijssnelheid.....	4 m/min.
kabeldiameter .....	Ø 4 mm x 12 m
geluidsniveau (LWA) .....	71 dB(A)

### WEH300

voeding .....	max. 230 V~, 50 Hz
verbruik .....	1050 W
1 haak	
max. draagvermogen .....	300 kg
hijshoogte.....	12 m
hijssnelheid.....	8 m/min.
2 haken	
max. draagvermogen .....	600 kg
hijshoogte.....	6 m
hijssnelheid.....	4 m/min.
kabeldiameter .....	Ø 4.5 mm x 12 m
geluidsniveau (LWA) .....	71 dB(A)

**Gebruik dit toestel enkel met originele accessoires. Velleman nv is niet aansprakelijk voor schade of kwetsuren bij (verkeerd) gebruik van dit toestel. Voor meer informatie over dit product en de laatste versie van deze handleiding, zie [www.velleman.eu](http://www.velleman.eu). De informatie in deze handleiding kan te allen tijde worden gewijzigd zonder voorafgaande kennisgeving.**

#### © AUTEURSRECHT

**Velleman nv heeft het auteursrecht voor deze handleiding. Alle wereldwijde rechten voorbehouden.** Het is niet toegestaan om deze handleiding of gedeelten ervan over te nemen, te kopiëren, te vertalen, te bewerken en op te slaan op een elektronisch medium zonder voorafgaande schriftelijke toestemming van de rechthebbende.



# MODE D'EMPLOI

## 1. Introduction



### Aux résidents de l'Union européenne

#### Informations environnementales importantes concernant ce produit

Ce symbole sur l'appareil ou l'emballage indique que l'élimination d'un appareil en fin de vie peut polluer l'environnement. Ne pas jeter un appareil électrique ou électronique (et des piles éventuelles) parmi les déchets municipaux non-sujets au tri sélectif ; une déchetterie traitera l'appareil en question. Renvoyer l'appareil à votre fournisseur ou à un service de recyclage local. Respecter la réglementation locale relative à la protection de l'environnement.

**En cas de questions, contacter les autorités locales pour élimination.**

Nous vous remercions de votre achat ! Lire attentivement le présent mode d'emploi avant la mise en service de l'appareil. Si l'appareil a été endommagé pendant le transport, ne pas l'installer et consulter votre revendeur.

## 2. Consignes de sécurité



Lire et comprendre ce mode d'emploi et toutes les consignes de sécurité avant d'utiliser l'appareil.



Uniquement pour usage à l'intérieur. Ne pas utiliser l'appareil à l'extérieur.

- Cet appareil peut être utilisé par des enfants âgés de 8 ans et plus et des personnes manquant d'expérience et de connaissances ou dont les capacités physiques, sensorielles ou mentales sont réduites, si elles ont été formées et encadrées quant à l'utilisation de l'appareil d'une manière sûre et connaissent les risques encourus. Ne pas laisser les enfants jouer avec l'appareil. Le nettoyage et l'entretien ne doivent pas être effectués par des enfants sans surveillance.
- Ne jamais utiliser pour transporter des personnes.
- Ne jamais se tenir ou travailler sous la charge en suspension.
- Toujours s'assurer que la tension d'alimentation correspond à celle indiquée sur la plaque signalétique. Une tension incorrecte peut empêcher le fonctionnement de l'appareil et provoquer de graves blessures.
- La prise de courant doit être obligatoirement reliée à la terre et la source d'alimentation doit être équipée d'un interrupteur différentiel.
- Garder l'environnement de travail immédiat propre Les espaces de travail et ateliers en désordre peuvent causer des accidents.
- Se protéger contre les chocs électriques. Éviter tout contact du corps avec des surfaces à la masse (par exemple :
- Ne pas dépasser la capacité de charge maximale (voir la plaque signalétique).

- Ne pas utiliser deux ou plusieurs appareils pour soulever un objet.
- Toujours utiliser l'appareil dans le but prévu. Ne jamais soulever des personnes avec l'appareil.
- Ne pas débrancher la prise de courant en tirant sur le câble. Maintenir le câble à l'abri de la chaleur, de l'huile ou des objets tranchants.
- Ne jamais essayer de soulever des charges fixes ou bloquées. Il est interdit de lever un poids en biais, ou de le traîner au sol. Il est interdit de transporter des masses fondues.
- Les démarrages involontaires avec le câble en acier non tendu sont interdits. S'assurer de lever les charges du sol à la vitesse la plus basse. Le câble doit être tendu mais pas entièrement déroulé au départ au sol.
- Débrancher l'appareil du réseau électrique après usage.
- Ne pas lever les charges d'un seul côté. Éviter de faire balancer la charge.
- S'assurer que le crochet se déplace dans la même direction que celle indiquée sur le bouton-poussoir.
- L'interrupteur de fin de course ne doit pas être utilisé comme interrupteur d'arrêt ou être démonté. L'interrupteur de fin de course est un dispositif de sécurité destiné à éviter que le poids ne soit élevé trop haut.
- Ne pas laisser la charge pendre trop longtemps pour éviter la déformation des pièces. Lorsque l'appareil, ne pas effectuer ni réparation ni inspection.
- Contrôler régulièrement le palan électrique pour découvrir les éventuelles détériorations. Le bouton-poussoir doit être en bon état.
- Ranger l'appareil de manière appropriée lorsqu'il n'est pas utilisé. Ranger l'appareil dans un endroit sec, en hauteur ou verrouillable, hors de portée des enfants incluant sacs en plastique, boîtes, polystyrène, etc.
- Faire effectuer les réparations et les travaux d'service uniquement dans des ateliers spécialisés dûment autorisés par un électricien qualifié. Les réparations ne doivent être effectuées que par des électriciens qualifiés.
- Éviter une mise en et hors tension rapide (mode « pas à pas »).
- Toujours être attentif lorsque vous maniez l'appareil.
- Selon la fréquence d'utilisation, au bout de 20 heures de fonctionnement continu, effectuer une maintenance détaillée de l'appareil (au moins une fois par an).
- Si les freins arrêtent de fonctionner et que la charge s'abaisse rapidement, appuyer immédiatement sur l'interrupteur d'arrêt puis sur l'interrupteur de marche. Après le déchargement, envoyer l'appareil à un professionnel qualifié pour des réparations.

## En cas d'urgence

Actionner le bouton d'arrêt d'urgence pour arrêter l'appareil en cas de situation dangereuse et urgente. Pour libérer le bouton, tourner-le dans le sens des aiguilles d'une montre.



## 3. Directives générales

- Se référer à la garantie de service et de qualité Velleman® en fin de ce mode d'emploi.
- Toute modification est interdite pour des raisons de sécurité. Les dommages occasionnés par des modifications par le client ne tombent pas sous la garantie.
- N'utiliser l'appareil qu'à sa fonction prévue. Un usage impropre annule d'office la garantie.
- La garantie ne se s'applique pas aux dommages survenus en négligeant certaines directives de ce mode d'emploi et votre revendeur déclinera toute responsabilité pour les problèmes et les défauts qui en résultent.
- Ni Velleman SA ni ses distributeurs ne peuvent être tenus responsables des dommages exceptionnels, imprévus ou indirects, quelles que soient la nature (financière, corporelle, etc.), causés par la possession, l'utilisation ou le dysfonctionnement de ce produit.
- Garder ce mode d'emploi pour toute référence ultérieure.

## 4. Description

Se référer aux illustrations en page 2 de ce mode d'emploi.

<b>1</b>	étrier de fixation
<b>2</b>	trou de montage pour crochet
<b>3</b>	tambour
<b>4</b>	levier pour longueur de câble maximale
<b>5</b>	levier du mécanisme d'arrêt automatique
<b>6</b>	câble en acier
<b>7</b>	poids de mise hors tension
<b>8</b>	crochet
<b>9</b>	bouton d'arrêt d'urgence

<b>10</b>	bouton-poussoir
<b>11</b>	télécommande
<b>12</b>	câble d'alimentation
<b>13</b>	câble de commande
<b>14</b>	moteur
<b>15</b>	poulie de renvoi
<b>16</b>	crochet additionnel
<b>17</b>	câble de télécommande

## 5. Utilisation conforme

L'appareil sert à lever et à baisser des charges dans des endroits clos conformément la capacité de l'appareil.

L'appareil doit uniquement être utilisé aux fins prévues. Toute autre utilisation est considérée comme non conforme. Le fabricant décline toute responsabilité en cas de dommage ou de lésions corporelles. L'utilisateur/opérateur est le seul et unique responsable.

L'appareil n'a pas été conçu pour être utilisé dans un environnement professionnel, industriel ou artisanal. La garantie s'annule si l'appareil est utilisé professionnellement, artisanalement, par des sociétés industrielles ou pour toute activité équivalente.

## 6. Avant la mise en service

### Instructions

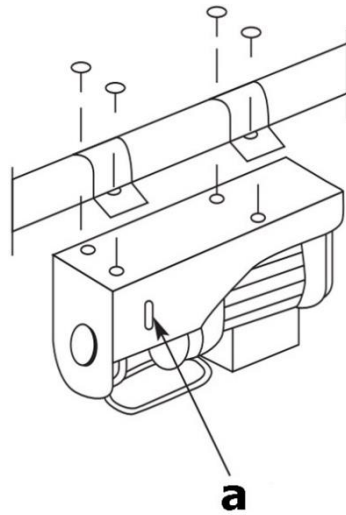
- S'assurer, avant de brancher l'appareil, que les données se trouvant sur la plaque signalétique correspondent bien aux données du réseau.
- Toujours débrancher l'appareil avant de paramétrer l'appareil.
- Effectuer un test sans charge avant de commencer les opérations et vérifier :
  - la flexibilité de l'interrupteur haut/bas pour garantir le contrôle du levage et de l'abaissement du crochet de charge.
  - la flexibilité de l'équerre de limite supérieure afin de garantir la coupure du circuit.
  - la flexibilité de l'équerre de limite inférieure afin de garantir la coupure du circuit lorsque le câble en acier est quasiment usé.
  - tout son anormal au moment du démarrage.
  - le câble en acier est peut-être endommagé (fendu ou plié) ou est utilisé depuis 20 heures. Changer-le immédiatement.
- L'appareil ne convient pas au transport de masses brûlantes et/ou fondues. L'appareil n'est pas prévu non plus pour un emploi à des températures basses et dans un environnement exposé aux intempéries.
- Le groupe mécanique est M1.
- S'assurer que l'opérateur/l'opératrice connaît bien le fonctionnement et l'utilisation de l'appareil.
- L'utilisateur doit respecter toutes les instructions d'utilisation.
- L'appareil ne convient pas à une utilisation continue. Le mode est service discontinu sans influence du procédé de démarrage.
- La puissance nominale de l'appareil ne varie pas avec la position de la charge.
- Inspecter le crochet avant toute utilisation, il peut être endommagé ou tordu. Remplacer-le à temps.
- La durée de service est de 8000 cycles (excepté les parties usées). Après 8000 cycles, toutes les pièces mécaniques doivent être contrôlées et révisées.
- Lorsque l'arrêt d'urgence a été enclenché, tourner-le dans le sens de la flèche pour le déverrouiller lorsque tout danger a été éliminé.
- Veiller à une lubrification suffisante des pièces.

### Déballage

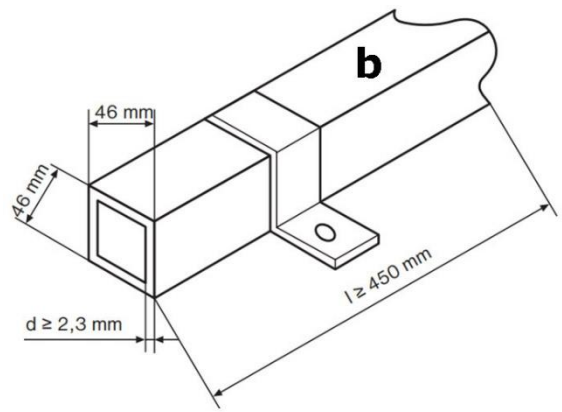
- Une fois l'emballage ouvert, s'assurer que l'appareil, le câble en acier, les crochets, le levier de longueur maximale du câble et le levier du mécanisme d'arrêt automatique n'ont subi aucun dommage durant le transport.

### Montage et installation

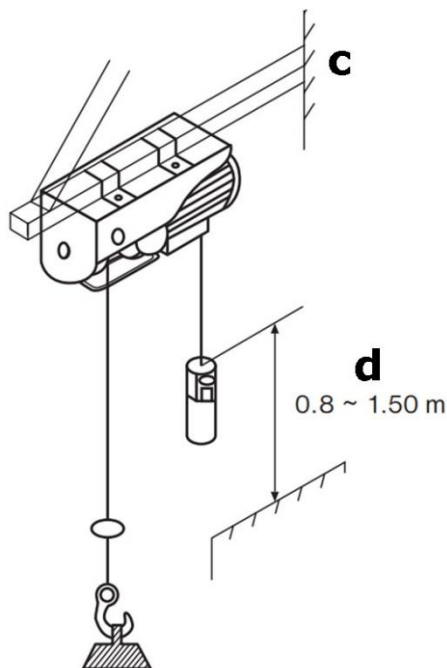
- L'appareil est équipé de deux étriers de fixation, avec lesquels l'appareil peut être fixé à un tube carré / bras orientable. Les dimensions du tube carré / bras orientable doivent correspondre à la taille de l'étrier de fixation et doit pouvoir supporter le double de la charge nominale. Nous vous recommandons de contacter un technicien qualifié.
- Toutes les vis doivent être correctement serrées. Avant la mise en service, un technicien qualifié doit contrôler l'ancrage du tube carré / bras orientable.
- Installer l'appareil sur une poutre en acier. Utiliser uniquement le support de montage fourni, qui peut être fixé en haut du boîtier au moyen des vis, rondelles et rondelles à ressort. La poutre en acier doit être capable de supporter au moins le double du poids de l'appareil.
- La poutre d'acier doit avoir un diamètre de 46 mm, une épaisseur de parois d'au moins 2.3 mm et une longueur d'au moins 450 mm.
- La poutre d'acier doit être fixée solidement dans le mur. La fixation doit être suffisamment solide pour supporter la charge.
- S'assurer que l'appareil est installé horizontalement, et n'est pas incliné.
- La commande à distance doit être accessible à tout moment, et doit donc être installée à une distance de 0.8 m à 1.5 m du sol.
- Insérer le crochet de charge dans le support de crochet du boîtier de montage quand vous utilisez un crochet supplémentaire avec un axe de déviation.



a. support du crochet



b. acier



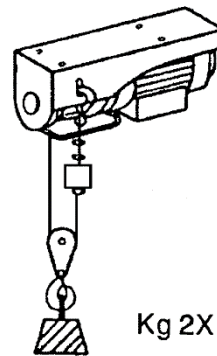
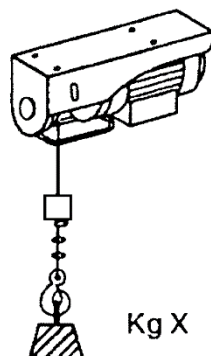
c. commande à distance

d. distance au sol

**Fonction du palan**

L'appareil est équipé d'une poulie de renvoi et d'un crochet additionnel. Lorsque ces pièces sont correctement utilisées, l'appareil peut supporter le double de la charge.

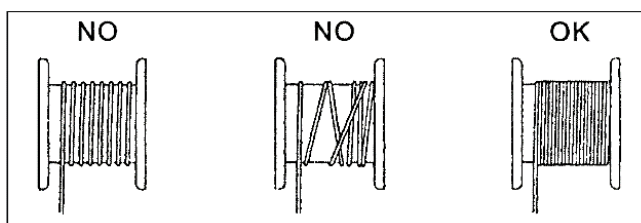
Monter la poulie de renvoi et le crochet additionnel. Le crochet monté fixement doit être suspendu au trou de montage. La charge est à présent soulevée à l'aide de deux câbles en acier, l'appareil peut alors soulever le double de la charge.



## 7. Commande

### Information

- Avant la première utilisation, retirer l'adhésif du tambour.
- La valeur de l'émission sonore évaluée A sur la position de l'exploitant est inférieure à 70dB.
- Tension d'alimentation : 230 V~ ± 10 %, 50 Hz ± 1 %.
- L'appareil doit être utilisé à des températures ambiantes situées entre 5 °C et 40 °C et avec une humidité relative inférieure à 90 %. Hauteur au-dessus du niveau de la mer : max. 1.000 m.
- Pour le transport et l'entreposage, la température doit se situer entre -25 °C et 55°C. La température maximale admise ne doit pas dépasser 70 °C.
- L'utilisateur doit soulever la charge du sol à la vitesse la plus lente possible. Le câble doit être tendu lorsque la charge est soulevée.
- Le moteur de l'appareil est doté d'un interrupteur à thermostat. Il est possible que le moteur s'arrête pendant le fonctionnement de l'appareil. Le moteur se remet automatiquement en marche dès qu'il a refroidi.
- L'appareil n'est pas doté d'un limiteur de puissance nominale. Pour cela, ne pas soulever la charge lorsque la protection contre la surchauffe limite le fonctionnement. La charge dépasse dans ce cas la puissance nominale de l'appareil.
- Ne jamais laisser aucune charge suspendue sans surveillance sans avoir pris les mesures de sécurité appropriées.
- Protéger l'appareil avec un fusible de 10 A ou un disjoncteur à courant de défaut de 10 A afin de protéger le circuit électrique.
- Ne pas utiliser le levier comme dispositif d'arrêt de routine. Il sert uniquement de dispositif d'arrêt pour les situations d'urgence.
- Avant de commencer, s'assurer que le câble en acier est enroulé correctement sur le tambour avec un pas correspondant au diamètre du câble.



- S'assurer que la charge est fixée conformément aux spécifications au crochet ou au crochet additionnel et toujours maintenir une distance par rapport à la charge et au câble en acier.

### Fonctionnement

- Contrôler si le bouton d'arrêt d'urgence est enfoncé. Tourner l'interrupteur d'arrêt d'urgence dans le sens des aiguilles d'une montre pour le déverrouiller.
- Appuyer sur ▲ pour soulever la charge.
- Appuyer sur ▼ pour abaisser la charge.
- Levier du mécanisme d'arrêt automatique : lorsque la hauteur de levage est atteinte, le poids de mise hors tension pousse le levier vers le haut. L'interrupteur fin de course est actionné et la charge ne peut plus être soulevée.
- Levier pour une longueur de câble maximale : lorsque la charge a atteint la position la plus basse possible, l'interrupteur fin de course est actionné, ce qui empêche de continuer l'abaissement de la charge. Cet interrupteur fin de course empêche également le fonctionnement de l'appareil dans une mauvaise direction (lorsque le crochet se déplace dans le sens inverse de celui indiqué sur l'interrupteur de commande).
- L'appareil s'arrête lorsque l'interrupteur d'arrêt d'urgence est actionné.
- En cas d'urgence, actionner immédiatement l'interrupteur d'arrêt d'urgence pour arrêter l'appareil. La commande de l'appareil est impossible lorsque l'interrupteur d'arrêt d'urgence est actionné.

**Fonctionnement intermittent**

(fonctionnement intermittent périodique). L'appareil peut donc être utilisé pendant une durée de 20 % du cycle de fonctionnement total de 10 minutes à la charge nominale.

**Surcharge**

- L'appareil n'est pas conçu pour une utilisation en continu.
- L'interrupteur se débloque automatiquement quand le moteur aura refroidi.
- Si l'appareil est utilisé pour une charge moins lourde, le temps de fonctionnement va augmenter et le temps de refroidissement va diminuer.
- Il est donc possible que l'interrupteur thermique se déclenche plus tôt. Attendre alors que l'appareil ait refroidi.

**8. Entretien****AVERTISSEMENT**

- Toujours débrancher l'appareil avant tout entretien ou réparation.
- Dans ce qui suit : Un cycle correspond à un mouvement de montée et descente d'une charge. Un contrôle périodique correspond à un contrôle après 100 cycles.

**Nettoyage**

- Maintenir les dispositifs de protection, les fentes de ventilation et le boîtier du moteur propres (sans poussière).
- Nettoyer l'appareil avec un chiffon propre ou souffler dessus avec de l'air comprimé à basse pression. Nettoyer l'appareil régulièrement à l'aide d'un chiffon humide et un peu de savon doux. Ne pas utiliser de solvant, qui pourrait endommager les parties en plastique. Veiller à ce que l'eau ne s'infilte pas dans l'appareil.
- Nettoyer l'appareil immédiatement après chaque utilisation.

**Entretien**

- Tous les 30 cycles, contrôler si le câble en acier complet est en bon état. S'il est endommagé, remplacer-le par un câble en acier conforme aux caractéristiques techniques.



- Vérifier que le câble d'alimentation, l'interrupteur d'arrêt du moteur et le bouton-poussoir sont en bon état de fonctionnement.

**Entretien**

- Contrôler régulièrement si les interrupteurs fin de course de l'appareil fonctionnent conformément aux spécifications. Procéder comme suit : lorsque le câble a atteint la hauteur maximale de levage, le levier du mécanisme d'arrêt automatique est actionné. Le moteur doit s'arrêter.
- Lorsque le câble en acier est déroulé le plus possible, le levier de longueur maximale du câble est actionné. Le moteur doit s'arrêter.
- Vérifier régulièrement le câble secteur et le câble de commande.
- Lubrifier tous les 200 cycles le câble et la poulie de renvoi.
- Contrôler tous les 1000 cycles si les vis de l'étrier de fixation et de la poulie de renvoi sont bien serrées.
- Tous les 1000 cycles, vérifier si les crochets et la poulie de renvoi sont en bon état.
- Contrôler avant chaque utilisation de l'appareil, si l'interrupteur d'arrêt d'urgence et le bouton-poussoir sont dans un bon état de fonctionnement.



- Tous les 1000 cycles, contrôler le système de freinage. Lorsque le moteur fait des bruits inhabituels ou que la charge nominale ne peut pas être soulevée, il est possible de devoir réviser le système de freinage.
  - Remplacer les pièces endommagées ou usées et conserver la documentation sur la maintenance.
  - Pour les travaux de maintenance hors plan, s'adresser à un centre de service clientèle autorisé.

### Stockage

- Ranger l'appareil et ses accessoires dans un endroit sombre, sec et à l'abri du gel et hors de la portée des enfants. La température de stockage optimale est comprise entre 5 °C et 30 °C. Ranger l'appareil dans l'emballage d'origine.

## 9. Problèmes et solutions

Dysfonctionnement	Cause	Solution
L'interrupteur on-off ne fonctionne pas.	L'appareil n'est pas branché.	Brancher l'appareil.
	Les câbles électriques sont endommagés.	Vérifier les câbles et rebrancher-les.
	Interrupteur défectueux.	Réparer ou remplacer l'interrupteur.
	Le condensateur est grillé.	Remplacer le condensateur.
	L'interrupteur de sécurité n'a pas été réinitialisé ou erreur de l'interrupteur de sécurité.	Vérifier l'interrupteur de sécurité, et remplacer-le si nécessaire.
	L'interrupteur thermique s'est déclenché ou est défectueux.	Attendre que l'appareil refroidisse, ou remplacer l'interrupteur thermique.
L'interrupteur de direction a été actionné. Le moteur est très bruyant, mais l'appareil ne peut pas soulever la charge.	La tension du réseau est trop basse.	Adapter le travail à la tension du réseau.
	Le condensateur est endommagé.	Changer l'alimentation électrique.
	Le frein n'est pas complètement desserré.	Faire réparer l'appareil par un technicien qualifié.
Après une coupure de courant, les freins ne tiennent pas ou la charge glisse vers le bas.	La distance entre les freins est trop grande.	Faire réparer l'appareil par un technicien qualifié.
	Le ressort des freins est cassé.	
	Le disque de frein est bloqué.	
	Le disque de frein est sale.	
Le bruit de l'appareil commence à être plus fort.	Lubrification insuffisante.	Graisser l'appareil.
	Après une longue utilisation, la roue dentée et les roulements sont endommagés.	Remplacer la roue dentée ou les roulements.
	L'appareil est mal installé.	Vérifier l'installation.

Tension trop élevée.	Erreur de mise à la terre.	Vérifier les fils de terre et connecter-les correctement.
	Les connexions internes sont en contact avec le boîtier.	Vérifier toutes les connexions internes.
L'interrupteur de sécurité ne fonctionne pas.	Interrupteur défectueux.	Remplacer l'interrupteur.
	Interrupteur bloqué.	Vérifier, réparer ou remplacer l'interrupteur.

## 10. Spécifications techniques

### WEH200

alimentation.....	max. 230 V~, 50 Hz
consommation.....	1000 W
1 crochet	
capacité de charge max. ....	200 kg
hauteur de levage.....	12 m
vitesse de levage.....	8 m/min.
2 crochets	
capacité de charge max. ....	400 kg
hauteur de levage.....	6 m
vitesse de levage.....	4 m/min.
diamètre du câble.....	Ø 4 mm x 12 m
niveau sonore (LWA).....	71 dB(A)

### WEH300

alimentation.....	max. 230 V~, 50 Hz
consommation.....	1050 W
1 crochet	
capacité de charge max. ....	300 kg
hauteur de levage.....	12 m
vitesse de levage.....	8 m/min.
2 crochets	
capacité de charge max. ....	600 kg
hauteur de levage.....	6 m
vitesse de levage.....	4 m/min.
diamètre du câble.....	Ø 4.5 mm x 12 m
niveau sonore (LWA).....	71 dB(A)

**N'employer cet appareil qu'avec des accessoires d'origine. Velleman SA ne peut, dans la mesure conforme au droit applicable être tenue responsable des dommages ou lésions (directs ou indirects) pouvant résulter de l'utilisation de cet appareil. Pour plus d'informations concernant cet article et la dernière version de ce mode d'emploi, visiter notre site web [www.velleman.eu](http://www.velleman.eu). Les spécifications et le contenu de ce mode d'emploi peuvent être modifiés sans notification préalable.**

#### © DROITS D'AUTEUR

**Velleman SA est l'ayant droit des droits d'auteur de ce mode d'emploi. Tous droits mondiaux réservés.** Toute reproduction, traduction, copie ou diffusion, intégrale ou partielle, du contenu de ce mode d'emploi par quelque procédé ou sur tout support électronique que ce soit est interdite sans l'accord préalable écrit de l'ayant droit.

# MANUAL DEL USUARIO

## 1. Introducción



### A los ciudadanos de la Unión Europea

#### Importantes informaciones sobre el medio ambiente concerniente a este producto

Este símbolo en este aparato o el embalaje indica que, si tira las muestras inservibles, podrían dañar el medio ambiente. No tire este aparato (ni las pilas, si las hubiera) en la basura doméstica; debe ir a una empresa especializada en reciclaje. Devuelva este aparato a su distribuidor o a la unidad de reciclaje local. Respete las leyes locales en relación con el medio ambiente.

**Si tiene dudas, contacte con las autoridades locales para residuos.**

¡Gracias por elegir Toolland! Lea atentamente las instrucciones del manual antes de usar el aparato. Si ha sufrido algún daño en el transporte no lo instale y póngase en contacto con su distribuidor.

## 2. Instrucciones de seguridad



Lea y comprenda este manual y todas las instrucciones de seguridad antes de usar el aparato.



Sólo es apto para el uso en interiores. El polipasto eléctrico no es apto para el uso en exteriores.

- Este aparato no es apto para niños menores de 8 años ni para personas con capacidades físicas, sensoriales o mentales reducidas ni para personas con una falta de experiencia y conocimientos del producto, salvo si están bajo la vigilancia de una persona que pueda garantizar la seguridad. Asegúrese de que los niños no jueguen con este dispositivo. Nunca deje que los niños limpien o manipulen el aparato sin supervisión.
- Nunca utilice el aparato para transportar a personas.
- Está prohibido colocarse bajo de una carga suspendida.
- Asegúrese de que la tensión de red coincida con la tensión indicada en la placa de datos. Si la tensión de red no es la indicada, el dispositivo podrá funcionar de forma anormal y causar lesiones.
- Asegúrese de que la alimentación esté puesta a tierra y lleve un interruptor diferencial (RCCB).
- Mantenga limpia la área de trabajo. Una zona de trabajo desordenada puede provocar accidentes.
- Protéjase contra descargas eléctricas. Evite cualquier contacto físico con superficies puestas a tierra (p.ej.) tuberías, radiadores, estufas o frigoríficos.
- No intente elevar cargas superiores a la carga nominal (consulte la placa de datos).
- No utilice dos o más aparatos para el mismo objeto.

- Utilice el aparato sólo para el fin para el que ha sido diseñado. Nunca utilice el aparato para elevar a personas.
- No tire del cable para desenchufar el cable. No exponga el cable a fuentes de calor, aceites ni bordes afilados.
- Nunca intente elevar cargas fijas o bloqueadas. Está prohibido elevar cargas de forma lateral, arrastrarlas o tirar de ellas. Está prohibido transportar masas calientes fundidas.
- Nunca ponga en marcha el aparato si el cable no está enrollado completamente. Asegúrese de elevar la carga con la velocidad mínima. Antes de empezar, asegúrese de que el cable esté enrollado correctamente alrededor del tambor.
- Desenchufe el aparato después del uso.
- Nunca eleve cargas lateralmente o desde un lateral. No deje que la carga balancee.
- Asegúrese de que el gancho se mueva en la misma dirección que la indicada en el interruptor de control.
- No utilice el interruptor de final de carrera como interruptor de parada y no lo desmonte. Es un dispositivo de seguridad que se activa para evitar ulteriores movimientos hacia abajo o hacia arriba.
- No deje que la carga quede suspendida demasiado tiempo en el aire para evitar se deforme. Desenchufe siempre el aparato antes de una revisión o reparación.
- Compruebe regularmente que el aparato no presente daños. Asegúrese de que el interruptor de control esté en buen estado.
- Almacene el aparato de manera correcta si no lo utiliza. Guarde el aparato en un lugar seco, oscuro y fresco e inaccesible para los niños.
- Las reparaciones y los trabajos de servicio solo los pueden llevar a cabo electricistas profesionales en talleres especializados. Las reparaciones deberán realizarlas un técnico cualificado.
- Evite un encendido y apagado rápido (servicio discontinuo).
- Sea siempre cuidadoso al manipular el aparato.
- Dependiendo de la frecuencia de uso y después de 20 horas de uso continuo, deje que se realice una revisión del aparato (por lo menos una vez al año).
- En caso de que el freno no funciona y la carga baja muy rápida, pulse inmediatamente el botón de apagado y luego el botón de encendido. La reparación la debe realizar un especialista.

## En caso de emergencia

Pulse el interruptor de parada de emergencia en caso de peligro o en caso de emergencia. Gire el interruptor en el sentido de las agujas del reloj para desbloquearlo.



## 3. Normas generales

- Véase la Garantía de servicio y calidad Velleman® al final de este manual del usuario.
- Por razones de seguridad, las modificaciones no autorizadas del aparato están prohibidas. Los daños causados por modificaciones no autorizadas, no están cubiertos por la garantía.
- Utilice sólo el aparato para las aplicaciones descritas en este manual. Su uso incorrecto anula la garantía completamente.
- Los daños causados por descuido de las instrucciones de seguridad de este manual invalidarán su garantía y su distribuidor no será responsable de ningún daño u otros problemas resultantes.
- Ni Velleman nv ni sus distribuidores serán responsables de los daños extraordinarios, ocasionales o indirectos, sea cual sea la índole (financiera, física, etc.), causados por la posesión, el uso o el fallo de este producto.
- Guarde este manual del usuario para cuando necesite consultarlo.

## 4. Descripción

Véase las figuras en la página 2 de este manual del usuario.

<b>1</b>	abrazadera de fijación
<b>2</b>	orificio de fijación para el gancho
<b>3</b>	tambor
<b>4</b>	palanca para longitud del cable máxima
<b>5</b>	palanca para mecanismo de parada automática
<b>6</b>	cable de acero
<b>7</b>	peso de desconexión
<b>8</b>	gancho
<b>9</b>	botón de parada de emergencia

<b>10</b>	botón
<b>11</b>	mando a distancia
<b>12</b>	cable de alimentación
<b>13</b>	cable de control
<b>14</b>	motor
<b>15</b>	polea de inversión
<b>16</b>	gancho adicional
<b>17</b>	cable del mando a distancia

## 5. Uso conforme al uso previsto

El aparato sirve para elevar y bajar cargas en espacios cerrados conforme la capacidad del aparato.

Utilice el aparato sólo para el fin para el que ha sido diseñado. Cualquier otro uso no será adecuado. En caso de un uso inadecuado, el fabricante no se hará responsable de daños o lesiones. El único responsable es el usuario/operador.

El aparato no ha sido diseñado para un uso comercial, industrial o en taller. La garantía se anulará cuando se utilice el aparato en zonas industriales, comerciales o en talleres así como para actividades similares.

## 6. Antes de la puesta en marcha

### Instrucciones

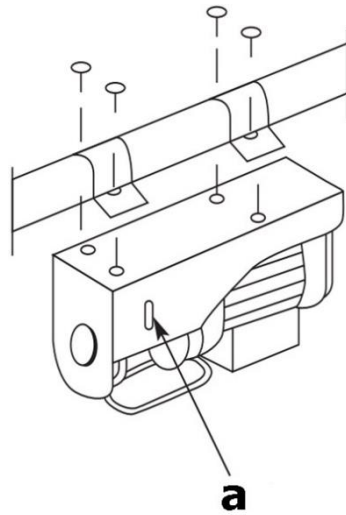
- Antes de enchufar el aparato asegúrese de que los datos de la placa de datos coincidan con los datos de la red eléctrica.
- Desenchufe siempre el aparato antes de realizar ajustes.
- Antes de la puesta en marcha compruebe lo siguiente (sin carga):
  - 
  - 
  - la flexibilidad del final de carrera inferior para detener todo movimiento ulterior hacia abajo
  - ruido anormal
  - daños al cable de acero (quebrado o doblado). Si fuera el caso, reemplace inmediatamente el cable.
- El aparato no ha sido diseñado para transportar masas calientes y/o fundidas, ni para utilizarlo a bajas temperaturas ni en un entorno agresivo.
- Pertenece al grupo mecánico M1.
- Asegúrese de que el operador sabe cómo funciona y cómo se maneja el aparato.
- Asegúrese de que el operador siempre actúe de acuerdo con el manual del usuario.
- El aparato no ha sido diseñado para un uso continuo. Modo de funcionamiento: Modo discontinuo sin afectar el procedimiento de arranque.
- La potencia nominal del aparato no varía por la posición de la carga.
- 
- La vida útil del aparato es de unos 8000 ciclos (piezas de desgaste excl.) Compruebe y, si fuera necesario, deje reparar las piezas mecánicas después de haber realizado los 8000 ciclos.
- Un dispositivo de protección de corriente residual (botón rojo de parada de emergencia) ofrece una protección adicional en caso de funcionamiento defectuoso del equipo o en otro caso de emergencia.
- Asegúrese de que todas las piezas estén bien lubricadas. Lubrique el gancho de carga, el eje del tambor, la caja de engranajes y los cojinetes cada medio año.

### Desembalar el aparato

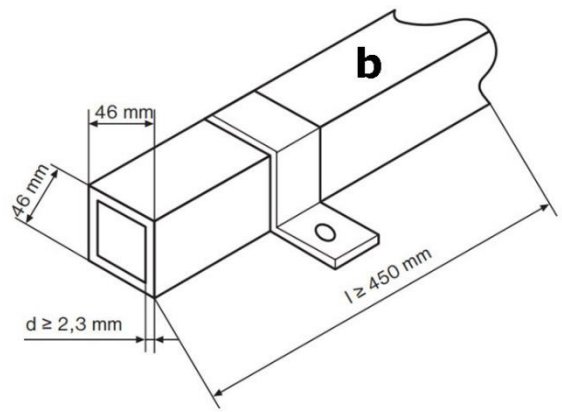
- Después del desembalaje, controle que el chasis, el cable de acero, el gancho y el mecanismo eléctrico de control no presenten daños de transporte.

### Montaje

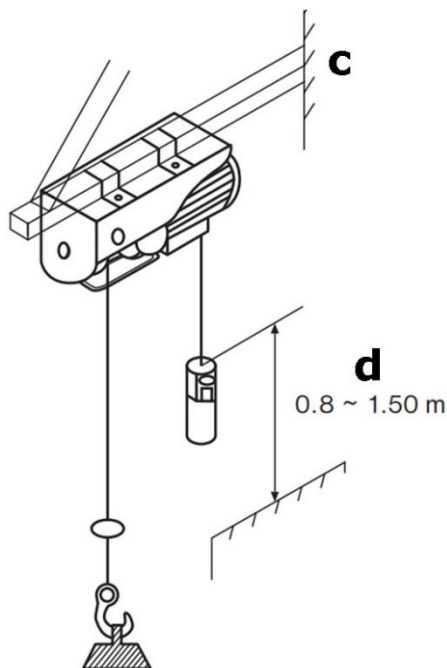
- El polipasto eléctrico tiene 2 abrazaderas de fijación con las que puede fijarlo a un tubo rectangular. Asegúrese de que las dimensiones del brazo coincidan con el tamaño de las abrazaderas de fijación y que el brazo pueda soportar el doble de la carga nominal. Contacte con un técnico cualificado.
- Asegúrese de que los tornillos estén firmemente apretados. Antes de la puesta en marcha, deje que un técnico cualificado compruebe el anclaje del brazo.
- Fije el aparato a una viga de soporte de acero. Utilice solo las abrazaderas de fijación incluidas que se fijan a la parte superior de la carcasa con los tornillos, las arandelas y las arandelas de presión. Asegúrese de que la viga sea capaz de resistir al menos al doble del peso del aparato.
- Asegúrese de que la viga tenga un diámetro de 46 x 46 mm, un espesor mínimo de 2.3 mm y una longitud mínima de 450 mm.
- Asegúrese de que la viga esté firmemente fijada a la pared. El anclaje debe ser lo suficientemente fuerte como para soportar la carga
- Asegúrese de que el aparato esté nivelado y no inclinado.
- Asegúrese de que el mando a distancia siempre sea fácilmente accesible e instalado a una altura entre 0.8 m y 1.5 m.
- Introduzca el gancho en el soporte del gancho de la carcasa de montaje cuando utiliza un gancho adicional con eje diferente.



a. soporte del gancho



b. acero



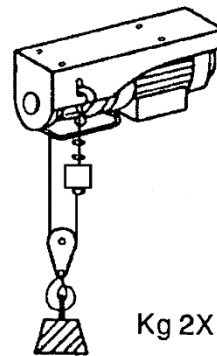
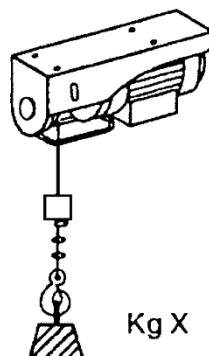
c. mando a distancia

d. altura

### Función de polipasto

El aparato lleva una polea de inversión y un gancho adicional. Si se utiliza correctamente, el aparato puede elevar el doble de carga.

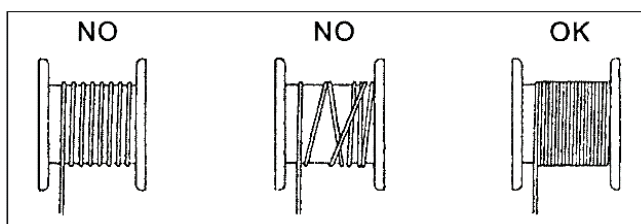
Fija la polea de inversión y el gancho adicional correctamente (véase la fig.). Fije el gancho fijo al orificio de fijación. Ahora, la carga se eleva con dos cables de acero por lo que el aparato puede elevar el doble de la carga nominal.



## 7. Funcionamiento

### Información sobre el funcionamiento

- Antes del primer uso, quite la cinta adhesiva del tambor.
- El valor de la emisión de ruido clasificado como A en la posición del usuario es inferior a los 70 dB.
- Alimentación: 230 V $\sim$   $\pm$  10 %, 50 Hz  $\pm$  1 %.
- Utilice el aparato con temperaturas entre 5 °C y 40 °C y una humedad relativa de menos del 90 %. Altura sobre el nivel del mar: máx. 1000 m.
- La temperatura de transporte y almacenamiento puede ser entre -25 °C y 55 °C. La temperatura máxima admisible no puede superar los 70 °C.
- Asegúrese de elevar la carga lo más lento posible. Asegúrese de que el cable esté tensado al elevar la carga.
- El motor lleva un interruptor de termostato. Por tanto, es posible que el motor se para durante el funcionamiento. Volverá a arrancar automáticamente en cuanto se haya enfriado.
- El aparato no lleva un limitador de potencia nominal. Por ello, no intente elevar la carga, cuando la protección de sobrecalentamiento limite el funcionamiento. En este caso, la carga sobrepasa la potencia nominal del aparato.
- Asegúrese de haber tomado las medidas de seguridad necesarias antes de dejar una carga en suspensión sin vigilancia.
- Proteja el aparato con un fusible de 10 o un 10 a interruptor diferencial.
- No utilice la palanca como dispositivo de parada normal. Sirve solo como dispositivo de parada en caso de emergencia.
- Antes de empezar, asegúrese de que el cable de acero esté bien enrollado alrededor del tambor y que la distancia entre las vueltas sea inferior al diámetro del cable de acero.



- Asegúrese de que la carga esté correctamente fijada al gancho o al gancho adicional y manténgase siempre a una distancia segura de la carga y el cable de acero.

### Funcionamiento

- Compruebe si el botón de parada de emergencia está pulsado. Gire el botón de parada rojo en el sentido de las agujas del reloj para desbloquearlo.
- Pulse ▲ para elevar la carga.
- Pulse ▼ para bajar la carga.
- Palanca para mecanismo de parada automática: en cuanto se alcance la altura máxima de elevación, el peso límite empuja la palanca hacia arriba. De esa manera se activa un interruptor de fin de carrera que no permite seguir elevando la carga.
- Palanca para longitud de cable máxima: en cuanto la carga alcance la posición más baja, se activa un interruptor de fin de carrera que no permite seguir bajando la carga. El interruptor de fin de carrera impide también que el aparato funcione en la dirección incorrecta (el gancho se mueve en dirección contraria a la indicada en el interruptor de control).
- El aparato se parará cuando el botón de parada esté pulsado.
- En caso de emergencia, pulse inmediatamente el botón de parada de emergencia para desactivar el aparato. No es posible operar el aparato si el botón de parada de emergencia está activado.



### Funcionamiento intermitente

Modo de funcionamiento S3 20 % - 10 min. (régimen de funcionamiento discontinuo independientemente del proceso de arranque). Por lo tanto, el dispositivo está diseñado para un funcionamiento periódico intermitente con un ciclo de trabajo relativo del 20 % basado en 10 minutos.

### Sobrecarga

- El aparato no está diseñado para un uso continuo.
- Si se supera el tiempo de funcionamiento permitido, la temperatura del motor aumentará y el interruptor térmico apagará el aparato. Después de un tiempo de enfriamiento, el interruptor térmico volverá a activar el aparato.
- El tiempo de funcionamiento aumenta y el período de enfriamiento disminuye en caso de someter el aparato a una carga menor.
- El motor se calienta al exponerlo a la luz del sol directa y disminuirá el tiempo de funcionamiento admisible. Por tanto, es posible que el interruptor térmico desactive el aparato después de un corto período de tiempo.

## 8. Cuidado y mantenimiento



### ADVERTENCIA



- Desenchufe siempre el aparato antes de limpiarlo, revisarlo o repararlo.
- Advertencia: Un ciclo corresponde a un movimiento hacia arriba y hacia abajo de una carga. Un control periódico corresponde a un control después de 100 ciclos.

### Limpieza

- No esponga los dispositivos de seguridad, los orificios de ventilación y la carcasa del motor a polvo y suciedad.
- Limpie el aparato con un paño limpio o con aire comprimido manteniendo la presión baja. Limpie el aparato regularmente con un paño húmedo y un poco de jabón suave. No utilice detergentes o productos de limpieza. Estos podrían dañar las piezas de plástico. Asegúrese de que no pueda entrar agua en el aparato.
- Limpie el aparato tras cada uso.

### Mantenimiento

- Compruebe cada 30 ciclos que el cable de acero no esté dañado. Reemplace el cable de acero sólo por un cable idéntico (véase las especificaciones).



- Compruebe que el cable de alimentación, el botón de parada de emergencia y los botones de dirección funcionen correctamente.

### Mantenimiento

- Compruebe regularmente que los interruptores de final de carrera funcionen correctamente. Haga lo siguiente: en cuanto el cable haya alcanzado la altura de elevación máxima, la palanca para mecanismo de parada automático se activará. Pare el motor. (Someter a prueba sin una carga).
- En cuanto el cable de acero esté completamente desenrollado, la palanca para la longitud máxima del cable se activará. Pare el motor.
- Compruebe el cable de alimentación y el cable de control regularmente.
- Lubrique el cable de acero y la polea de retorno cada 200 ciclos.

- Compruebe cada 1000 ciclos que los tornillos, las barras de fijación y la polea de retorno estén fijados correctamente.
- Compruebe cada 1000 ciclos que los ganchos (8/16) y la polea de retorno no estén dañados.
- Antes de cada uso, compruebe que todos los botones funcionen correctamente.
- Compruebe cada 1000 ciclos que el sistema de frenado funcione correctamente. Si el motor emite ruidos extraños o si no se puede elevar una carga, compruebe el sistema de frenado.
  - Reemplace las piezas dañadas o desgastadas y guarde la documentación de mantenimiento.
  - Contacte con un centro de servicio autorizado en caso de trabajos de mantenimiento no provistos.

**Almacenamiento**

- Mantenga alejados del aparato y los accesorios a los niños. Almacene el aparato en un lugar seco, oscuro y fresco. La temperatura de almacenamiento ideal es de 5 °C a 30 °C. Guarde el aparato en su embalaje original.

**9. Solución de problemas**

Problema	Causa	Solución
El botón de encendido/apagado no funciona.	El aparato no está enchufado.	Enchufe el aparato.
	Los cables están rotos o quebrados.	Compruebe los cables y vuelva a enchufar el aparato.
	Interruptor defectuoso.	Repare o reemplace el interruptor.
	Condensador fundido.	Reemplace el condensador.
	No ha desbloqueado el interruptor de final de carrera o es defectuoso.	Compruebe el interruptor de final de carrera y reemplácelo si fuera necesario.
	Está roto un cable del interruptor térmico.	Deje que el aparato se enfríe o reemplace el interruptor térmico.
El botón de dirección está activado. El motor emite mucho ruido y no puede elevar una carga.	La tensión utilizada es demasiado baja.	Adapte el trabajo a la alimentación disponible.
	El condensador es defectuoso.	Reemplace la alimentación.
	El freno no está completamente abierto.	La reparación solo la puede llevar a cabo un taller especializado.
Después de una interrupción del suministro de energía los frenos no funcionan o la carga desliza hacia abajo.	Resorte del freno dañado.	La reparación solo la puede llevar a cabo un taller especializado.
	El disco del freno está bloqueado.	
	El disco del freno está sucio.	
El aparato hace mucho ruido.	El aparato no está lubricado correctamente.	Lubrique el aparato.
	Después de un uso prolongado, la rueda dentada y los cojinetes están dañados.	Reemplace la rueda dentada o los cojinetes.
	Las piezas están instaladas de manera incorrecta o están dañadas.	Compruebe las piezas instaladas.

Electricidad estática.	Puesta a tierra defectuosa o aparato no puesta a tierra.	Compruebe la puesta a tierra y conecte los cables correctamente.
	Las conexiones internas tocan la carcasa.	Compruebe todas las conexiones internas.
Final de carrera no funciona.	Final de carrera defectuoso.	Desactívelo o reemplácelo.
	El final de carrera está bloqueado.	Compruebe el final de carrera y repárelo o reemplácelo.

## 10. Especificaciones

### WEH200

alimentación ..... máx. 230 V~, 50 Hz  
 consumo.....1000 W  
 1 gancho  
     capacidad máx. de carga .....200 kg  
     altura de elevación..... 12 m  
     velocidad de elevación..... 8 m/min.  
 2 ganchos  
     capacidad máx. de carga .....400 kg  
     altura de elevación..... 6 m  
     velocidad de elevación..... 4 m/min.  
 dimensiones del cable ..... Ø 4 mm x 12 mm  
 nivel acústico (LWA) ..... 71 dB(A)

### WEH300

alimentación ..... máx. 230 V~, 50 Hz  
 consumo.....1050 W  
 1 gancho  
     capacidad máx. de carga .....300 kg  
     altura de elevación..... 12 m  
     velocidad de elevación..... 8 m/min.  
 2 ganchos  
     capacidad máx. de carga .....600 kg  
     altura de elevación..... 6 m  
     velocidad de elevación..... 4 m/min.  
 dimensiones del cable ..... Ø 4,5 mm x 12 mm  
 nivel acústico (LWA) ..... 71 dB(A)

**Utilice este aparato sólo con los accesorios originales. Velleman NV no será responsable de daños ni lesiones causados por un uso (indebido) de este aparato. Para más información sobre este producto y la versión más reciente de este manual del usuario, visite nuestra página [www.velleman.eu](http://www.velleman.eu). Se pueden modificar las especificaciones y el contenido de este manual sin previo aviso.**

#### © DERECHOS DE AUTOR

**Velleman NV dispone de los derechos de autor para este manual del usuario. Todos los derechos mundiales reservados.** Está estrictamente prohibido reproducir, traducir, copiar, editar y guardar este manual del usuario o partes de ello sin el consentimiento previo por escrito del propietario del copyright.

# BEDIENUNGSANLEITUNG

## 1. Einführung



**An alle Einwohner der Europäischen Union**

### **Wichtige Umweltinformationen über dieses Produkt**

Dieses Symbol auf dem Produkt oder der Verpackung zeigt an, dass die Entsorgung dieses Produktes nach seinem Lebenszyklus der Umwelt Schaden zufügen kann. Entsorgen Sie die Einheit (oder verwendeten Batterien) nicht als unsortierter Hausmüll; die Einheit oder die verwendeten Batterien müssen von einer spezialisierten Firma zwecks Recycling entsorgt werden. Diese Einheit muss an den Händler oder ein örtliches Recycling-Unternehmen retourniert werden. Respektieren Sie die örtlichen Umweltvorschriften.

**Falls Zweifel bestehen, wenden Sie sich für Entsorgungsrichtlinien an Ihre örtliche Behörde.**

Vielen Dank, dass Sie sich für Toolland entschieden haben! Lesen Sie diese Bedienungsanleitung vor Inbetriebnahme sorgfältig durch. Überprüfen Sie, ob Transportschäden vorliegen. Sollte dies der Fall sein, verwenden Sie das Gerät nicht und wenden Sie sich an Ihren Händler.

## 2. Sicherheitshinweise



Lesen Sie die Bedienungsanleitung und die Sicherheitshinweise vor Inbetriebnahme sorgfältig durch.



Eignet sich nur für die Anwendung im Innenbereich. Der Seilhebezug eignet sich nicht für die Anwendung im Außenbereich.

- Dieses Gerät kann von Kindern ab 8 Jahren und darüber sowie von Personen mit verringerten physischen, sensorischen oder mentalen Fähigkeiten oder Mangel an Erfahrung und Wissen benutzt werden, wenn sie beaufsichtigt oder bezüglich des sicheren Gebrauchs des Gerätes unterwiesen wurden und die daraus resultierenden Gefahren verstehen. Kinder sollten nicht mit dem Gerät spielen. Ohne Aufsicht ist Kinder die Reinigung und Bedienung des Wagenhebers untersagt
- Das Gerät ist nicht für den Transport von Personen geeignet.
- Halten Sie sich niemals unter schwebender Last auf.
- Beachten Sie immer, dass die Netzspannung der Spannung auf dem Typenschild entspricht. Eine nicht geeignete Netzspannung kann zu einem abnormalen Funktionieren des Gerätes und zu Personenschäden führen.
- Stellen Sie sicher, dass die Stromversorgung eine Erdung besitzt und mit einem Fehlerstrom-Schutzschalter abgesichert ist.
- Halten Sie den unmittelbaren Arbeitsbereich sauber. Ein unordentlicher Arbeitsbereich kann zu Unfälle führen.
- Schützen Sie sich vor einem elektrischen Schlag. Vermeiden Sie Kontakt mit geerdeten Oberflächen (z.B. Rohrleitung, Heizkörper, Ofen oder Kühlschrank).
- Heben Sie niemals Lasten, die die Nennlast überschreiten (siehe Typenschild).

- Verwenden Sie nie zwei oder mehr Geräte, um ein und denselben Gegenstand zu heben.
- Benutzen Sie das Gerät nur für den vorgesehenen Zweck. Heben Sie niemals Personen mit dem Seilhebezug an.
- Ziehen Sie nicht am Kabel, um den Stecker zu ziehen. Schützen Sie das Kabel vor Hitze, Öl und scharfen Kanten.
- Versuchen Sie niemals, feste oder blockierte Lasten anzuheben. Es ist verboten, Lasten seitwärts anzuheben oder über den Boden zu ziehen. Es ist verboten, heiße geschmolzene Massen zu transportieren.
- Vermeiden Sie ein unbeabsichtigtes Einschalten mit lockerem Stahlseil. Beachten Sie, die Lasten mit der geringsten Geschwindigkeit anzuheben. Das Seil sollte straff gehalten werden bis die Last angehoben wird.
- Ziehen Sie den Netzstecker nach Gebrauch aus der Steckdose.
- Ziehen Sie niemals Lasten seitwärts oder von einer Seite. Vermeiden Sie ein Schwingen der Last.
- Vergewissern Sie sich davon, dass sich der Haken in die selbe Richtung bewegt wie auf dem Bedienschalte angezeigt.
- Verwenden Sie den Endschalte nicht als AUS-Schalte oder demontieren Sie ihn nicht. Der Endschalte dient als Sicherheitsvorrichtung für den Notfall, um zu verhindern, dass die Last über die Hubgrenze hinaus angehoben wird.
- Lassen Sie keine Last über einen längeren Zeitraum hängen, um Verformungen zu vermeiden. Führen Sie weder Reparaturarbeiten noch eine Sichtprüfung durch, wenn das Gerät eingeschaltet ist.
- Kontrollieren Sie das Gerät regelmäßig auf Beschädigungen. Stellen Sie sicher, dass der Bedienschalte in gutem Zustand ist.
- Lagern Sie das Gerät in angemessener Weise, wenn Sie es nicht verwenden. Lagern Sie das Gerät und auch die Verpackung (Plastiktüten, Kartons, Styropor usw.) an einem trockenen, verschließbaren Ort, außerhalb der Reichweite von Kindern.
- Lassen Sie Reparatur- und Wartungsarbeiten ausschließlich in autorisierten Fachwerkstätten durch einen Elektrofachmann durchführen. Reparaturarbeiten sollten nur von einem Fachmann durchgeführt werden.
- Vermeiden Sie ein schnelles An- und Abschalten (Tippbetrieb).
- Seien Sie bei der Bedienung des Gerätes stets aufmerksam.
- Überprüfen Sie die ordnungsgemäße Funktion des Gerätes, wenigstens einmal im Jahr oder nach mindestens 20 Stunden Gesamtbetriebszeit.
- Wenn die Bremse während des Betriebs versagt und die Last schnell nach unten rutscht, drücken Sie sofort den AUS-Schalte und dann den EIN-Schalte. Nach Entfernen der Last, sollten die Reparaturarbeiten von einer autorisierten Werkstatt durchgeführt werden.

## Notfall

Bei einem Notfall oder bei Gefahr, drücken Sie den Not-Aus-Schalter. Drehen Sie im Uhrzeigersinn, um den Schalter zu lösen.



### 3. Allgemeine Richtlinien

- Siehe Velleman® Service- und Qualitätsgarantie am Ende dieser Bedienungsanleitung.
- Eigenmächtige Veränderungen sind aus Sicherheitsgründen verboten. Bei Schäden verursacht durch eigenmächtige Änderungen erlischt der Garantieanspruch.
- Verwenden Sie das Gerät nur für Anwendungen beschrieben in dieser Bedienungsanleitung. Bei falscher Anwendung dieses Gerätes erlischt der Garantieanspruch.
- Bei Schäden, die durch Nichtbeachtung der Bedienungsanleitung verursacht werden, erlischt der Garantieanspruch. Für daraus resultierende Folgeschäden übernimmt der Hersteller keine Haftung.
- Weder Velleman nv noch die Händler können für außergewöhnliche, zufällige oder indirekte Schäden irgendwelcher Art (finanziell, physisch usw.), die durch Besitz, Gebrauch oder Defekt verursacht werden, haftbar gemacht werden.
- Bewahren Sie diese Bedienungsanleitung für künftige Einsichtnahme auf.

### 4. Beschreibung

Siehe Abbildungen, Seite 2 dieser Bedienungsanleitung.

<b>1</b>	Befestigungsbügel
<b>2</b>	Befestigungsloch für Haken
<b>3</b>	Trommel
<b>4</b>	Hebel für maximale Seillänge
<b>5</b>	Hebel des Stoppschalters
<b>6</b>	Stahlseil
<b>7</b>	Abschaltgewicht
<b>8</b>	Haken
<b>9</b>	Not-Aus-Schalter

<b>10</b>	Drucktaste
<b>11</b>	Fernbedienung
<b>12</b>	Netzkabel
<b>13</b>	Steuerleitung
<b>14</b>	Motor
<b>15</b>	Umlenkrolle
<b>16</b>	zusätzlicher Haken
<b>17</b>	Seil für Fernbedienung

### 5. Bestimmungsgemäße Verwendung

Das Gerät dient zum Heben und Absenken von Lasten in geschlossenen Räumen entsprechend der Geräteleistung.

Das Gerät darf nur nach seiner Bestimmung verwendet werden. Jede weitere darüber hinausgehende Verwendung ist nicht bestimmungsgemäß. Für daraus hervorgerufene Schäden oder Verletzungen aller Art haftet der Benutzer/Bediener und nicht der Hersteller. Beachten Sie, dass das Gerät nicht für den gewerblichen, handwerklichen oder industriellen Einsatz bestimmt ist. Wir übernehmen keine Gewährleistung, wenn das Gerät in Gewerbe-, Handwerks- oder Industriebetrieben sowie bei gleichzusetzenden Tätigkeiten eingesetzt wird.

## 6. Vor der Inbetriebnahme

### Anweisungen

- Stellen Sie vor dem Anschluss an das Stromnetz sicher, dass die Anschlusswerte am Typenschild des Gerätes mit denen der Hausstromversorgung übereinstimmen.
- Ziehen Sie immer den Netzstecker aus der Netzsteckdose, bevor Sie Einstellungen am Gerät vornehmen.
- Vor der Inbetriebnahme sollten Sie das Gerät ohne Last auf Folgendes überprüfen:
  - die Flexibilität des Auf-/Ab-Schalters, um das kontrollierte Heben und Senken des Hakens zu gewährleisten.
  - die Flexibilität des Hub-Abschaltbügels, um eine sofortige Abschaltung zu gewährleisten.
  - die Flexibilität des Senk-Abschaltbügels, um die sofortige Abschaltung vor einer vollständigen Abwicklung des Seils zu gewährleisten.
  - abnormale Geräusche, bei der Inbetriebnahme.
  - eventuelle Seilschäden (Knicke oder Brüche). Das Seil sollte nach 20 Betriebsstunden sofort ausgetauscht werden.
- Das Gerät ist nicht für den Transport von heißen und/oder geschmolzenen Massen vorgesehen. Außerdem, ist es auch nicht für den Einsatz bei sehr niedrigen Temperaturen und in aggressiven Umgebungsbedingungen geeignet.
- Das Gerät gehört zur mechanischen Gruppe M1.
- Vergewissern Sie sich davon, dass die Person, die das Gerät bedient, weiß, wie es funktioniert und wie es betrieben werden soll.
- Der Benutzer sollte immer in Übereinstimmung mit der Bedienungsanleitung operieren.
- Das Gerät ist nicht für den Dauerbetrieb vorgesehen. Der Betriebsart ist Aussetzbetrieb ohne Einfluss des Anlaufvorganges.
- Die Nennleistung des Gerätes variiert nicht mit der Position der Belastung.
- Inspizieren Sie den Haken bevor jedem Gebrauch auf mögliche Schäden oder Verformungen. Ersetzen Sie, wenn nötig.
- Die Nutzungsdauer des Gerätes ist  $\pm 8000$  Zyklen (exkl. Verschleißteile). Hat das Gerät 8000 Zyklen durchlaufen, so müssen alle mechanischen Teile kontrolliert und ggf. repariert werden.
- Der Betrieb mit einem Fehlerstrom-Schutzschalter (Roter Not-Aus-Schalter) bietet einen zusätzlichen Schutz. Sobald keine Gefahr mehr besteht, drehen Sie den roten Stoppschalter in der Richtung des Pfeils, um ihn zu entriegeln.
- Stellen Sie sicher, dass alle Teil genügend geschmiert sind. Ölen Sie den Haken, die Seiltrommelwelle, Getriebe und Lager jedes halbe Jahr.

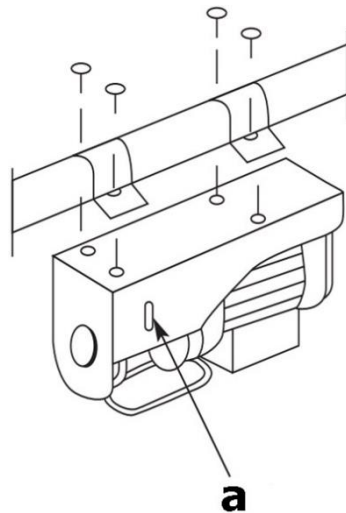
### Auspacken

- Nach dem Öffnen der Verpackung kontrollieren Sie den Rahmen, das Stahlseil, den Haken und den elektrischen Kontrollmechanismus auf mögliche Transportschäden.

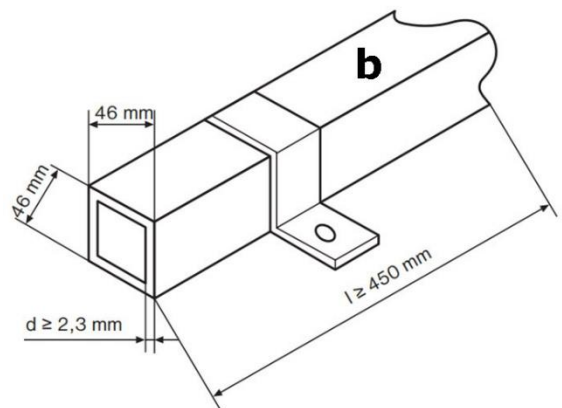
### Montage

- Der Seilhebezug hat 2 Befestigungsbügel, mit denen Sie ihn an einem Vierkanthrohr befestigen müssen. Beachten Sie, dass die Abmessungen des Auslegers in Übereinstimmung mit der Größe der Befestigungsbügel sind und, dass er die zweifache Nennlast tragen kann. Nehmen Sie hierfür Kontakt mit einem qualifizierten Techniker auf.
- Stellen Sie sicher, dass alle Schrauben sicher angezogen sind. Lassen Sie die Verankerung des Auslegers vor der Inbetriebnahme von einem qualifizierten Techniker überprüfen.
- Befestigen Sie das Gerät an einem Stahlträger. Verwenden Sie nur die mitgelieferten Befestigungsbügel, die Sie mit den Schrauben, Unterlegscheiben und Federringen an der Oberseite des Rahmens befestigen können. Stellen Sie sicher, dass der Stahlträger mindestens die zweifache Nennlast tragen kann.
- Beachten Sie, dass der Stahlträger einen Durchmesser von 46 x 46 mm, eine Wanddicke von mindestens 2.3 mm und eine Länge von mindestens 450 mm hat.
- Stellen Sie sicher, dass der Stahlträger fest in einer Wand verankert ist. Beachten Sie, dass die Verankerung entsprechend fest montiert ist, um der Last standzuhalten.
- Vergewissern Sie sich davon, dass das Gerät waagrecht und nicht schräg montiert ist.
- Beachten Sie, dass die Fernbedienung immer leicht erreichbar ist und installieren Sie diese deshalb in einer Höhe von 0.8 m und 1.5 m über dem Boden.

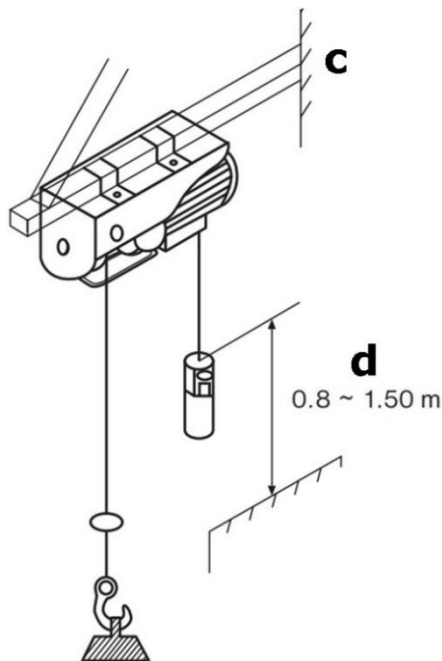
- Hängen Sie den Haken in die Hakenhalterung des Rahmens, wenn Sie die zusätzliche Hakenflasche benutzen.



a. Hakenhalterung



b. Stahl

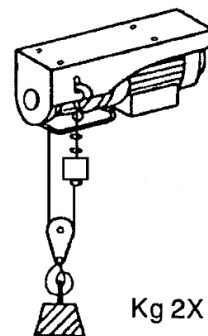
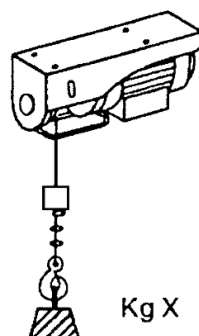


- c. Fernbedienung
- d. Höhe über dem Boden

### Flaschenzugfunktion

Das Gerät verfügt über eine Umlenkrolle und einen zusätzlichen Haken. Bei korrekter Verwendung kann das Gerät die doppelte Last heben.

Befestigen Sie die Umlenkrolle und den zusätzlichen Haken (siehe Abb.). Hängen Sie den fest montierten Haken am Befestigungsloch ein. Weil die Last nun mit Hilfe von zwei Stahlseilen angehoben wird, kann der Seilhebezug somit die doppelte Last anheben.

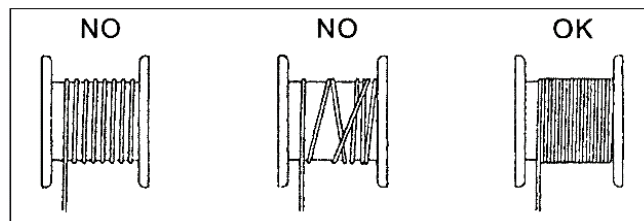




## 7. Betrieb

### Information zum Betrieb

- Entfernen Sie vor der ersten Inbetriebnahme das Klebeband von der Trommel.
- Der Wert der A-bewerteten Lärmemission an der Bedienerposition ist niedriger als 70 dB.
- Stromversorgung: 230 V~ ± 10 %, 50 Hz ± 1 %.
- Betrieben Sie den Seilhebezug bei Umgebungstemperaturen zwischen 0 °C und 40 °C mit einer relativen Luftfeuchtigkeit unter 85 %. Höhe über dem Meeresspiegel: max. 1000 m.
- Transportieren und lagern Sie das Gerät bei einer Temperatur zwischen -25 °C und 55 °C. Die höchste zulässige Temperatur darf 70 °C nicht überschreiten.
- Der Benutzer sollte die Last mit der geringsten möglichen Geschwindigkeit vom Boden anheben. Stellen Sie sicher, dass das Seil gestrafft ist, wenn die Last angehoben wird.
- Der Motor des Gerätes ist mit einem Thermostatschalter ausgestattet. Während des Betriebes kann es daher zum Stoppen des Motors kommen. Dieser läuft aber automatisch wieder an, wenn er abgekühlt ist.
- Das Gerät verfügt nicht über einen Nennleistungsbegrenzer. Versuchen Sie deshalb nicht, die Last anzuheben, wenn der Überhitzungsschutz den Betrieb begrenzt. In diesem Fall überschreitet die Last die Nennleistung des Gerätes.
- Lassen Sie keine hängenden Lasten unbeaufsichtigt ohne zuerst die geeigneten Sicherheitsmaßnahmen getroffen zu haben.
- Um den Stromkreis zu schützen, sichern Sie das Gerät mit einer 10 A-Sicherung oder einem 10 A Fehlerstrom-Schutzschalter ab.
- Benutzen Sie den Hebel nicht als normale Stoppvorrichtung. Diese dient ausschließlich als Stoppvorrichtung im Notfall.
- Bevor Sie anfangen, vergewissern Sie sich davon, dass das Stahlseil korrekt um die Trommel gewickelt ist und der Abstand zwischen den Windungen kleiner als das Stahlseil ist.



- Achten Sie darauf, dass die Ladung korrekt am Haken beziehungsweise bei Flaschenzugbetrieb dem Zusatzhaken gesichert ist und halten Sie stets Abstand zur Last und dem Stahlseil.

### Betrieb

- Überprüfen Sie, ob der Not-Aus-Schalter gedrückt ist. Drehen Sie den roten Stoppschalter im Uhrzeigersinn, um ihn zu entriegeln.
- Drücken Sie ▲ zum Anheben der Last.
- Drücken Sie ▼ zum Senken der Last.
- Hebel des automatischen Stoppmechanismus: Ist die maximale Hubhöhe erreicht, dann drückt das Abschaltgewicht den Hebel nach oben. Ein Endschalter wird hierdurch betätigt und die Last kann nicht weiter angehoben werden.
- Hebel für maximale Seillänge: Hat die Last die niedrigste Position erreicht, dann wird ein Endschalter betätigt, der ein weiteres Absenken der Last nicht ermöglicht. Außerdem verhindert der Endschalter auch einen Betrieb des Gerätes in falscher Richtung (Haken bewegt sich entgegengesetzt zur am Bedienschalter angezeigten Richtung).
- Das Gerät stoppt, wenn der Not-Aus-Schalter gedrückt wird.
- Im Notfall, drücken Sie sofort den Not-Aus-Schalter, um das Gerät anzuhalten. Es ist nicht möglich, das Gerät zu bedienen, wenn der Not-Aus-Schalter betätigt wurde.

### Aussetzbetrieb

Das Gerät ist für die Betriebsart S3 20 % - 10 min. ausgelegt (Aussetzbetrieb). Dies bedeutet, dass während eines Zeitraums von 10 min die maximale Betriebszeit 20 % (2.0 Min) beträgt und, dass das Gerät danach 8 Minuten lang ausgeschaltet werden muss, um abzukühlen. Das Gerät ist also für einen periodischen Aussetzbetrieb mit einer relativen Einschaltdauer von 20 % bezogen auf 10 Minuten ausgelegt.

### Überlast

- Das Gerät eignet sich nicht für den Dauerbetrieb. Der Motor wird durch einen Thermoschalter vor Überlast und Überhitzung geschützt.
- Wenn die zulässige Betriebsdauer überschreitet wird, steigt die Temperatur des Motors an und wird der Thermoschalter das Gerät abschalten. Der Thermoschalter schaltet das Gerät nach einer Abkühlphase automatisch wieder ein.
- Bei Beanspruchung des Gerätes mit einer geringeren Last verlängert sich die Betriebsdauer und nimmt die Abkühlphase ab.
- Bei direkter Sonneneinstrahlung heizt sich das Motorgehäuse stark auf und verkürzt sich die zulässige Betriebsdauer zusätzlich. Dadurch ist es möglich, dass der Thermoschalter das Gerät nach kurzer Zeit abschaltet. Warten Sie also bis das Gerät abgekühlt ist.

## 8. Pflege und Wartung



### WARNUNG



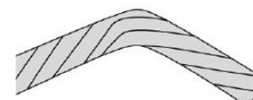
- Ziehen Sie vor Reinigungs - Wartungs- oder Reparaturarbeiten immer den Netzstecker aus der Netzsteckdose.
- Achtung: Ein Zyklus entspricht einer Auf- und Abwärtsbewegung einer Last. Periodische Prüfung entspricht einer Prüfung nach 100 Zyklen.

### Reinigung

- Halten Sie Schutzvorrichtungen, Luftschlitze und Motorgehäuse staub- und schmutzfrei.
- Reiben Sie das Gerät mit einem sauberen Tuch ab oder blasen Sie es mit Druckluft bei niedrigem Druck aus. Reinigen Sie das Gerät regelmäßig mit einem feuchten Tuch und ein bisschen Seife. Verwenden Sie keine Reinigungs- oder Lösungsmittel. Diese könnten die Kunststoffteile des Gerätes angreifen. Beachten Sie, dass kein Wasser in das Geräteinnere gelangen kann.
- Reinigen Sie das Gerät direkt nach jedem Gebrauch.

### Wartung

- Überprüfen Sie alle 30 Zyklen, ob das Stahlseil in gutem Zustand ist. Ist es beschädigt, dann muss es durch ein Stahlseil, das die technischen Daten entspricht, ersetzt werden.



- Kontrollieren Sie, ob Netzkabel, Not-Aus-Schalter und Drucktaster in einwandfreiem Betriebszustand sind.

### Wartung

- Überprüfen Sie regelmäßig, ob die Endschalter des Gerätes korrekt funktionieren. Gehen Sie wie folgt vor: Hat das Seil die maximale Hubhöhe erreicht, dann wird der Hebel des automatischen Stoppmechanismus betätigt. Nun muss der Motor stoppen (ohne Last).
- Ist das Stahlseil so weit wie möglich abgewickelt, dann wird der Hebel für maximale Seillänge betätigt. Der Motor muss nun stoppen.
- Kontrollieren Sie regelmäßig das Netzkabel und die Steuerleitung.

- Schmieren Sie das Stahlseil und die Umlenkrolle alle 200 Zyklen.
- Überprüfen Sie alle 1000 Zyklen, ob die Schrauben, der Befestigungsbügel und die Umlenkrolle fest angezogen sind.
- Überprüfen Sie alle 1000 Zyklen, ob die Haken (8/16) und die Umlenkrolle in gutem Zustand sind.
- Überprüfen Sie vor jedem Gebrauch, ob der Not-Aus-Schalter und die Drucktaster sich in einwandfreiem Betriebszustand finden.
- Überprüfen Sie das Bremssystem alle 1000 Zyklen. Macht der Motor ungewöhnliche Geräusche oder kann er die Nennlast nicht anheben, dann muss das Bremssystem überholt werden:
  - Ersetzen Sie beschädigte oder abgenutzte Teile und bewahren Sie die Wartungsdokumentation an einem sicheren Ort auf.
  - Für ungeplante Wartungsarbeiten wenden Sie sich an ein autorisiertes Servicecenter.

**Lagerung**

- Lagern Sie das Gerät und Zubehör an einem für Kinder unzugänglichem, dunklen, trockenen und frostfreiem Ort. Die optimale Lagertemperatur liegt zwischen 5 und 30 °C. Bewahren Sie das Gerät in der Originalverpackung auf.

**9. Problemlösung**

Problem	Ursache	Lösung
Der Ein/Aus-Schalter funktioniert nicht.	Der Netzstecker steckt nicht in der Netzsteckdose.	Stecken Sie den Netzstecker in die Netzsteckdose.
	Die Kabel sind unterbrochen oder beschädigt.	Überprüfen Sie die Kabel und stecken Sie den Netzstecker in die Netzsteckdose.
	Der Schalter ist defekt.	Reparieren oder tauschen Sie den Schalter aus.
	Der Kondensator ist durchgebrannt.	Ersetzen Sie den Kondensator.
	Der Endschalter wurde nicht zurückgesetzt oder ist fehlerhaft.	Überprüfen Sie den Endschalter und ersetzen Sie ihn ggf. aus.
	Ein Draht im Thermoschalter ist gebrochen.	Warten Sie bis das Gerät abgekühlt ist oder ersetzen Sie den Thermoschalter.
Die Drucktaster (anheben/senken) sind betätigt. Der Motor ist sehr laut aber die Last kann nicht angehoben werden.	Die anliegende Spannung ist zu gering.	Passen Sie die Arbeit an die verfügbare Versorgungsspannung an.
	Der Kondensator ist beschädigt.	Ändern Sie die Stromversorgung.
	Die Bremse ist nicht vollständig geöffnet.	Lassen Sie das Gerät von einem qualifizierten Fachmann reparieren.
Nach einem Stromausfall halten die Bremsen nicht oder die Last rutscht hinunter.	Der Spalt zwischen den Bremsen ist zu groß.	Lassen Sie das Gerät von einem qualifizierten Fachmann reparieren.
	Die Bremsfeder ist gebrochen.	
	Die Bremsscheibe ist blockiert.	
	Die Bremsscheibe ist verschmutzt.	
Die Geräusche werden immer lauter.	Unzureichende Ölung.	Ölen/schmieren Sie das Gerät.
	Nach einem langen Gebrauch sind Zahnräder und Lager abgenutzt.	Tauschen Sie Zahnräder und Lager aus.
	Falsch installiert oder verbeult.	Überprüfen Sie die montierte Teile.

Statische Elektrizität.	Fehlerhafte Erdung oder Erdung nicht vorhanden.	Überprüfen Sie die Erdungsdrähte und verbinden Sie diese ordnungsgemäß.
	Die internen Anschlüsse berühren das Gehäuses.	Überprüfen Sie alle internen Anschlüsse.
Der Endschalter funktioniert nicht.	Der Endschalter ist defekt.	Schalten Sie den Endschalter aus oder reparieren Sie ihn.
	Der Endschalter ist blockiert.	Überprüfen Sie den Endschalter und reparieren oder tauschen Sie ihn aus.

## 10. Technische Daten

### WEH200

Stromversorgung.....	max. 230 V~, 50 Hz
Stromverbrauch .....	1000 W
ohne Umlenkrolle	
max. Tragfähigkeit.....	200 kg
Hubhöhe.....	12 m
Hubgeschwindigkeit .....	8 m/min.
mit Umlenkrolle	
max. Tragfähigkeit.....	400 kg
Hubhöhe.....	6 m
Hubgeschwindigkeit .....	4 m/min.
Abmessungen Kabel.....	Ø 4 mm x 12 m
Schalldruckpegel (LWA).....	71 dB(A)

### WEH300

Stromversorgung.....	max. 230 V~, 50 Hz
Stromverbrauch .....	1050 W
ohne Umlenkrolle	
max. Tragfähigkeit.....	300 kg
Hubhöhe.....	12 m
Hubgeschwindigkeit .....	8 m/min.
mit Umlenkrolle	
max. Tragfähigkeit.....	600 kg
Hubhöhe.....	6 m
Hubgeschwindigkeit .....	4 m/min.
Abmessungen Kabel.....	Ø 4,5 mm x 12 m
Schalldruckpegel (LWA).....	71 dB(A)

**Verwenden Sie dieses Gerät nur mit originellen Zubehörteilen. Velleman NV übernimmt keine Haftung für Schaden oder Verletzungen bei (falscher) Anwendung dieses Gerätes. Für mehr Informationen zu diesem Produkt und die neueste Version dieser Bedienungsanleitung, siehe [www.velleman.eu](http://www.velleman.eu). Alle Änderungen ohne vorherige Ankündigung vorbehalten.**

#### © URHEBERRECHT

**Velleman NV besitzt das Urheberrecht für diese Bedienungsanleitung. Alle weltweiten Rechte vorbehalten.** Ohne vorherige schriftliche Genehmigung des Urhebers ist es nicht gestattet, diese Bedienungsanleitung ganz oder in Teilen zu reproduzieren, zu kopieren, zu übersetzen, zu bearbeiten oder zu speichern.

# INSTRUKCJA OBSŁUGI

## 1. Wstęp

**Przeznaczona dla mieszkańców Unii Europejskiej.**

**Ważne informacje dotyczące środowiska.**



Niniejszy symbol umieszczony na urządzeniu bądź opakowaniu wskazuje, że utylizacja produktu może być szkodliwa dla środowiska. Nie należy wyrzucać urządzenia (lub baterii) do zbiorczego pojemnika na odpady komunalne, należy je przekazać specjalistycznej firmie zajmującej się recyklingiem. Niniejsze urządzenie należy zwrócić dystrybutorowi lub lokalnej firmie świadczącej usługi recyklingu. Przestrzegać lokalnych zasad dotyczących środowiska

**W razie wątpliwości należy skontaktować się z lokalnym organem odpowiedzialnym za utylizację odpadów.**

Dziękujemy za wybór produktu Toolland! Prosimy o dokładne zapoznanie się z instrukcją obsługi przed użyciem urządzenia. Nie montować ani nie używać urządzenia, jeśli zostało uszkodzone podczas transportu - należy skontaktować się ze sprzedawcą.

## 2. Wskazówki bezpieczeństwa



Przed zastosowaniem urządzenia należy zapoznać się z niniejszą instrukcją oraz symbolami bezpieczeństwa.



Wyłącznie do użytku wewnątrz pomieszczeń. Wciągarka linowa nie może być używana na zewnątrz.

- Z niniejszego urządzenia mogą korzystać dzieci powyżej 8 roku życia i osoby o ograniczonych zdolnościach fizycznych, zmysłowych bądź umysłowych, jak również osoby nieposiadające doświadczenia lub znajomości urządzenia, jeśli znajdują się one pod nadzorem innych osób lub jeśli zostały pouczone na temat bezpiecznego sposobu użycia urządzenia oraz zdają sobie sprawę ze związanych z nim zagrożeń. Dzieci nie mogą używać urządzenia do zabawy. Prace związane z czyszczeniem i konserwacją nie mogą być wykonywane przez dzieci pozostawione bez nadzoru.
- Nie używać urządzenia do transportu osób.
- Nie stać ani nie pracować pod podniesionym ładunkiem.
- Zawsze należy sprawdzać, czy napięcie sieciowe odpowiada napięciu na tabliczce znamionowej. Jeżeli napięcie sieciowe nie jest odpowiednie, urządzenie może działać nieprawidłowo i tym samym powodować obrażenia ciała.
- Zasilanie musi być uziemione i zabezpieczone wyłącznikiem różnicowoprądowym (RCCB).
- Utrzymywać w czystości bezpośrednio środowisko pracy. Nieuporządkowane miejsca pracy i stoły warsztatowe mogą być przyczyną wypadków.
- Chronić się przed porażeniem prądem elektrycznym. Unikać fizycznego kontaktu z uziemionymi powierzchniami (np. rurami, grzejnikami, piecami lub lodówkami).

- Nie podnosić ładunków cięższych niż obciążenie znamionowe (patrz tabliczka znamionowa).
- Nie należy używać dwóch lub więcej urządzeń do załadunku tego samego przedmiotu.
- Stosować urządzenie wyłącznie zgodnie z przeznaczeniem. Pod żadnym pozorem nie używać wciągarki linowej do podnoszenia personelu.
- Nie wyciągać wtyczki, pociągając za kabel zasilający. Przewody zasilające należy chronić przed źródłami ciepła, olejem i ostrymi krawędziami.
- Nigdy nie należy podejmować prób podnoszenia zamocowanych ani zakleszczonych ładunków. Zabronione jest podnoszenie ładunku krzywo lub ciągnięcie po podłodze. Zabroniony jest transport gorących, stopionych mas.
- Zapobiegać niezamierzonemu uruchomieniu z luźną liną. Należy pamiętać, aby ładunki podnosić z podłoża z najniższą prędkością. Przy rozpoczęciu załadunku z podłoża lina powinna być napięta, ale nie rozwinięta.
- Po użyciu odłączyć urządzenie od sieci.
- Nie ciągnąć ładunków z boku ani z jednej strony. Nie dopuszczać do kołysania się ładunku.
- Upewnić się, że hak porusza się w tym samym kierunku, co wskazany na przełączniku sterowania.
- Wyłącznika krańcowy nie może być używany jako wyłącznik ani demontowany. Jest to urządzenie zabezpieczające przed podnoszeniem ciężaru ponad wysokość graniczną.
- Nie należy pozostawiać ładunku wiszącego w powietrzu przez dłuższy czas, aby zapobiec deformacji elementów. Podczas pracy urządzenia nie należy przeprowadzać żadnych napraw ani kontroli.
- Regularnie sprawdzać, czy wciągarka linowa nie wykazuje oznak uszkodzenia. Przełącznik sterowania musi być zawsze w dobrym stanie.
- Nieużywane urządzenie należy przechowywać w prawidłowy sposób. Przechowywać w suchym, wysoko położonym lub zamkniętym miejscu, poza zasięgiem dzieci, w plastikowych torbach, pudełkach, styropianie itp.
- Prace naprawcze i serwisowe należy powierzać wyłącznie autoryzowanym warsztatom (przeszkolonym elektrykom). Naprawa może być wykonywana wyłącznie przez wykwalifikowanego elektryka.
- Nie należy włączać i szybko wyłączać urządzenia (tryb impulsowy).
- Podczas obsługi wciągarki linowej należy zachować pełną koncentrację.

- W zależności od częstotliwości użytkowania, po 20 godzinach ciągłej pracy, urządzenie należy poddać gruntownej konserwacji (przynajmniej raz w roku).
- Jeśli hamulce przestaną działać, a ładunek szybko się obniża, należy natychmiast nacisnąć wyłącznik, a następnie włącznik. Po rozładowaniu należy przekazać urządzenie do naprawy wykwalifikowanemu specjaliście.

### Postępowanie w nagłych wypadkach

W przypadku zagrożenia lub sytuacji awaryjnej należy we właściwym momencie wcisnąć przycisk zatrzymania awaryjnego. Aby zwolnić przycisk, obrócić go w kierunku zgodnym z ruchem wskazówek zegara.



## 3. Informacje ogólne

- Proszę zapoznać się z informacjami w części Usługi i gwarancja jakości Velleman® na końcu niniejszej instrukcji.
- Wprowadzanie zmian w urządzeniu jest zabronione ze względów bezpieczeństwa. Uszkodzenia spowodowane zmianami wprowadzonymi przez użytkownika nie podlegają gwarancji.
- Stosować urządzenie wyłącznie zgodnie z przeznaczeniem. Używanie urządzenia w niedozwolony sposób spowoduje unieważnienie gwarancji.
- Gwarancja nie obejmuje uszkodzeń spowodowanych nieprzestrzeganiem niniejszej instrukcji, a sprzedawca nie ponosi odpowiedzialności za wyniki uszkodzenia lub problemy.
- Firma Velleman ani jej dystrybutorzy nie ponoszą odpowiedzialności za jakiegokolwiek szkody (nadzwyczajne, przypadkowe lub pośrednie) dowolnej natury (finansowe, fizyczne...), wynikające z posiadania, użytkowania lub awarii niniejszego produktu.
- Zachować niniejszą instrukcję na przyszłość.

## 4. Przegląd

Patrz ilustracje na stronie 2 niniejszej instrukcji.

<b>1</b>	zacisk mocujący
<b>2</b>	otwór mocujący do haka
<b>3</b>	bęben
<b>4</b>	dźwignia maks. długości liny
<b>5</b>	dźwignia automatycznego zatrzymania
<b>6</b>	lina stalowa
<b>7</b>	odbój końcowy
<b>8</b>	hak ładunkowy
<b>9</b>	wyłącznik awaryjny

<b>10</b>	przycisk
<b>11</b>	pilot zdalnego sterowania
<b>12</b>	kabel zasilający
<b>13</b>	kabel sterowania
<b>14</b>	silnik
<b>15</b>	krążek zwrotny
<b>16</b>	hak dodatkowy
<b>17</b>	kabel pilota zdalnego sterowania

## 5. Właściwe użytkowanie

Urządzenie przeznaczone jest do podnoszenia i opuszczania ładunków w obszarach zamkniętych w zależności od udźwigu urządzenia.

Stosować urządzenie wyłącznie zgodnie z przeznaczeniem. Każde inne zastosowanie uznawane jest za przypadek niewłaściwego użycia. Odpowiedzialność za wszelkiego rodzaju szkody lub urazy powstałe w wyniku takiego działania ponosi użytkownik/operator, a nie producent.

Należy pamiętać, że urządzenie nie zostało zaprojektowane do zastosowań handlowych, rzemieślniczych ani przemysłowych. Gwarancja zostanie unieważniona, jeśli urządzenie będzie używane w przedsiębiorstwach handlowych, rzemieślniczych lub przemysłowych albo do celów równoważnych.

## 6. Przed użyciem

### Instrukcja

- Przed podłączeniem urządzenia do sieci zasilającej należy upewnić się, że parametry sieci są zgodne z danymi na tabliczce znamionowej.
- Przed przystąpieniem do regulacji należy zawsze odłączyć urządzenie od sieci zasilającej.
- Na początku, przed uruchomieniem urządzenia, należy wykonać test bez obciążenia i sprawdzić:
  - czy przełącznik sterowania góra/dół działa płynnie, aby zapewnić sterowanie urządzeniem i opuszczanie haka ładunkowego.
  - czy górny wspornik ograniczający działa płynnie, aby zapewnić odcięcie obwodu.
  - czy dolny wspornik ograniczający działa płynnie, aby zapewnić odcięcie obwodu, gdy lina stalowa jest prawie zużyta.
  - czy występują jakiegokolwiek nietypowe dźwięki podczas uruchamiania.
  - czy lina stalowa nie jest uszkodzona (pęknięcie lub wygięcie) lub czy upłynęło 20 godzin od jej użycia. W tym przypadku należy natychmiast zmienić linę.
- Urządzenie nie nadaje się do transportu gorących i/lub roztopionych mas. Ponadto nie nadaje się do stosowania w niskich temperaturach lub w agresywnej atmosferze.
- Urządzenie należy do grupy mechanicznej M1.
- Upewnić się, że operator jest zaznajomiony z działaniem urządzenia i jego obsługą.
- Użytkownik powinien zawsze postępować zgodnie z instrukcją obsługi.
- Urządzenie nie jest przeznaczone do pracy ciągłej. Jego tryb pracy jest przerywany, bez wpływu na proces rozruchu.
- Udźwig znamionowy urządzenia nie zmienia się w zależności od położenia ładunku.
- Przed każdą operacją sprawdzić hak pod kątem możliwych uszkodzeń lub odkształceń. Należy wymienić go we właściwym czasie.
- Żywotność urządzenia wynosi około 8000 cykli (z wyłączeniem części zużywalnych). Po zakończeniu 8000 cykli wszystkie części mechaniczne urządzenia należy sprawdzić i poddać naprawie.
- Praca z wykorzystaniem urządzenia ochronnego różnicowoprądowego (czerwony wyłącznik awaryjny) zapewnia dodatkową ochronę w warunkach zagrożenia i w sytuacjach awaryjnych. W celu użycia wyłącznika awaryjnego, należy przekręcić główkę wyłącznika w kierunku strzałek, aby przywrócić działanie po usunięciu uszkodzeń.
- Upewnić się, że wszystkie części są wystarczająco nasmarowane. Co pół roku smarować hak ładunkowy, wał bębna linowego, przekładnię i łożyska.

### Rozpakowywanie

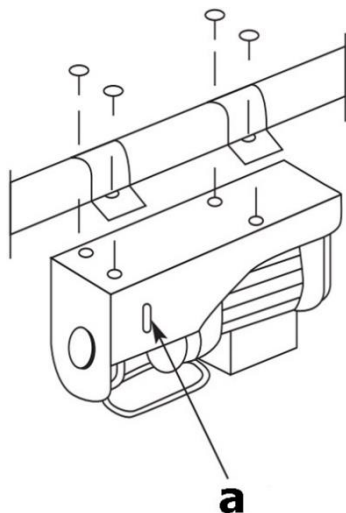
- Po otwarciu opakowania należy sprawdzić ramę, linę stalową, hak i elektryczny mechanizm sterowania pod kątem oznak ewentualnych uszkodzeń transportowych.

### Montaż i instalacja

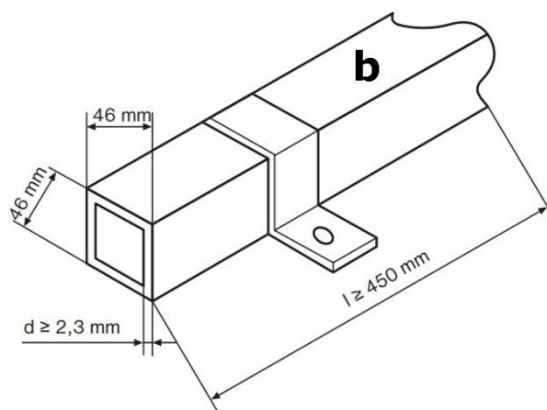
- Urządzenie wyposażone jest w dwa zaciski mocujące, za pomocą których należy je przymocować do profilu prostokątnego. Wymiary wysięgnika muszą odpowiadać rozmiarowi zacisków mocujących i muszą być w stanie utrzymać dwukrotność obciążenia znamionowego. Zalecamy konsultację z wykwalifikowanym technikiem.
- Wszystkie śruby muszą być prawidłowo dokręcone. Wykwalifikowany technik powinien sprawdzić zakotwienie wysięgnika przed uruchomieniem maszyny.



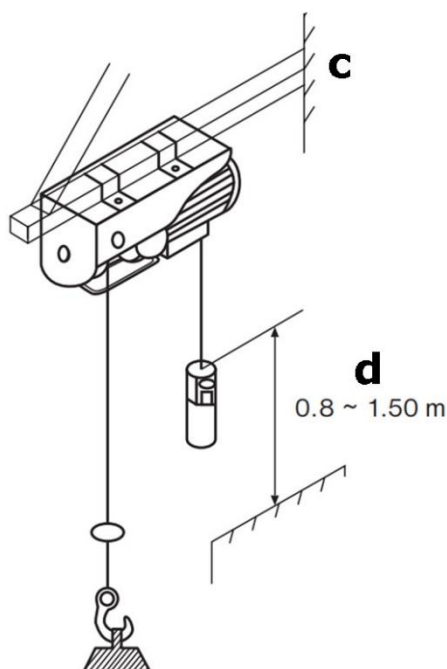
- Zamocować urządzenie na belce stalowej. Należy używać wyłącznie dołączonych uchwytów montażowych, które można przymocować do górnej części obudowy montażowej za pomocą śrub, podkładek i podkładek sprężystych. Belka stalowa musi wytrzymać co najmniej dwukrotność udźwigu znamionowego urządzenia.
- Belka stalowa musi mieć średnicę 46 x 46 mm, grubość ścianki co najmniej 2,3 mm i długość co najmniej 450 mm.
- Belka stalowa musi być solidnie zakotwiona w ścianie. Kotwa musi być zamontowana odpowiednio mocno, aby wytrzymać obciążenie.
- Należy upewnić się, że urządzenie jest zainstalowane poziomo, a nie ukośnie.
- Pilot zdalnego sterowania musi być łatwo dostępny i dlatego należy go zamontować w odległości od podłogi między 0,8 m a 1,5 m.
- Przy zastosowaniu dodatkowego haka ładunkowego z odchylanym wałem włożyć hak ładunkowy w uchwyt haka w obudowie montażowej.



a. uchwyt haka



b. stal



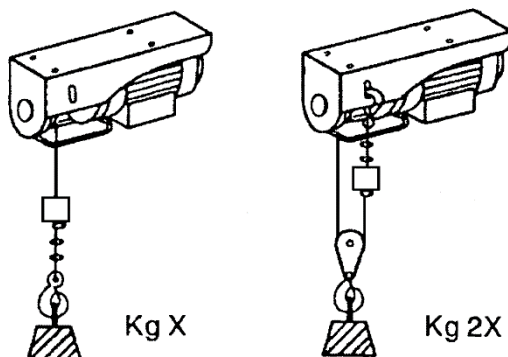
c. pilot zdalnego sterowania

d. odległość od podłoża

### Funkcja wielokrążka

Urządzenie jest wyposażone w krążek zwrotny i dodatkowy hak. Jeśli części te są używane prawidłowo, urządzenie może podnieść dwukrotność swojego obciążenia znamionowego.

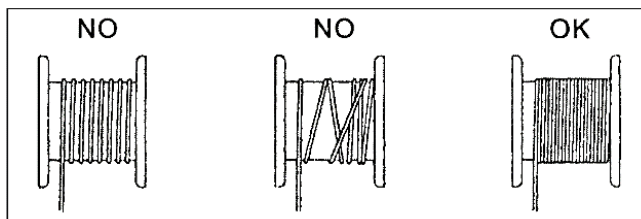
Zamontować krążek zwrotny i dodatkowy hak, jak pokazano. Stały hak musi być zamocowany do otworu mocującego. Ładunek jest teraz podnoszony przez dwie stalowe liny, co oznacza, że urządzenie może podnieść dwukrotność swojego obciążenia znamionowego.



## 7. Obsługa

### Informacje o działaniu

- Przed pierwszym użyciem należy usunąć taśmę klejącą z bębna.
- Wartość poziomu hałasu skorygowanego według charakterystyki częstotliwościowej A w pozycji operatora jest mniejsza niż 70 dB.
- Napięcie zasilające: 230 V~ ± 10 %, 50 Hz ± 1 %.
- Urządzenie musi być eksploatowane w temperaturze otoczenia w zakresie od 5 °C do 40 °C przy wilgotności względnej poniżej 90 %. Wysokość nad poziomem morza: maks. 1 000 m.
- Dopuszczalna temperatura transportu i przechowywania wynosi od -25 °C do 55 °C. Maksymalna temperatura nie może przekraczać 70 °C.
- Użytkownik powinien podnosić ładunek z podłoża przy jak najmniejszej prędkości. Przy podnoszeniu ładunku lina powinna być napięta.
- Silnik urządzenia jest wyposażony w wyłącznik termostatyczny. Z tego względu podczas pracy urządzenia silnik może się zatrzymać. Po schłodzeniu uruchomi się automatycznie.
- Urządzenie nie jest wyposażone w ogranicznik mocy znamionowej. Z tego powodu nigdy nie podnosić powtórnie ładunku, jeżeli praca urządzenia została ograniczona na skutek przeciążenia. W tym przypadku obciążenie przekracza udźwig znamionowy urządzenia.
- Nie pozostawiać zawieszonych ładunków bez nadzoru, jeśli nie są zapewnione odpowiednie środki ostrożności.
- Wyposażyć urządzenie w bezpiecznik 10 A lub wyłącznik różnicowoprądowy 10 A (RCCB), aby zabezpieczyć obwód.
- Nie używać dźwigni jako standardowego urządzenia zatrzymującego - stosować do zatrzymywania urządzenia tylko w sytuacjach awaryjnych.
- Przed uruchomieniem należy upewnić się, że lina stalowa jest prawidłowo nawinięta na bęben, a odstęp między uzwojeniami jest mniejszy niż średnica liny stalowej.



- Upewnić się, że ładunek jest prawidłowo zamocowany do haka lub, jeśli używany jest wielokrążek, dodatkowego haka. Zawsze zachowywać bezpieczną odległość od ładunku i liny stalowej.

### Obsługa

- Sprawdzić, czy wyłącznik awaryjny jest wciśnięty. Obrócić czerwony wyłącznik awaryjny zgodnie z ruchem wskazówek zegara, aby go zwolnić.
- Nacisnąć ▲, aby podnieść ładunek.
- Nacisnąć ▼, aby opuścić ładunek.
- Dźwignia mechanizmu automatycznego zatrzymywania: po osiągnięciu maksymalnej wysokości podnoszenia odbój końcowy naciska dźwignię do góry. Uruchamia to wyłącznik krańcowy, co uniemożliwia dalsze podnoszenie ładunku.
- Dźwignia maksymalnej długości liny: gdy ładunek osiągnie najniższą możliwą pozycję, aktywuje się wyłącznik krańcowy, co uniemożliwia dalsze opuszczanie ładunku. Wyłącznik krańcowy zapobiega również pracy urządzenia w niewłaściwym kierunku (hak porusza się w kierunku przeciwnym do strzałki na przełączniku sterowania).
- Urządzenie zatrzyma się po naciśnięciu wyłącznika awaryjnego.
- W nagłych wypadkach należy natychmiast wcisnąć wyłącznik awaryjny, aby zatrzymać urządzenie. Po wciśnięciu wyłącznika awaryjnego urządzenie nie może być obsługiwane.

### Praca przerywana

Urządzenie jest przeznaczone do rodzaju pracy S3 20 % - 10 min. (praca okresowa przerywana). Względny cykl pracy wynosi 20 %, co oznacza, że urządzenie może być eksploatowane przy obciążeniu znamionowym przez 2,0 minuty podczas każdego cyklu pracy, a następnie musi zostać wyłączone na 8 minut w celu schłodzenia. Urządzenie może być w związku z tym używane w sposób ciągły przez 20 % czasu całkowitego cyklu pracy wynoszącego 10 minut przy obciążeniu znamionowym.

### Przeciążenie

- Urządzenie nie jest przystosowane do pracy ciągłej. Silnik jest chroniony przed przeciążeniem i przegrzaniem przez wyłącznik temperaturowy.
- Jeżeli dopuszczalny czas pracy zostanie przekroczony, temperatura silnika wzrośnie i wyłącznik temperaturowy wyłączy urządzenie. Wyłącznik temperaturowy będzie automatycznie włączony ponownie po fazie schładzania.
- W przypadku obciążenia urządzenia mniejszym ładunkiem, czas pracy wydłuży się, a czas schładzania ulegnie skróceniu.
- przypadku bezpośredniej ekspozycji na działanie promieni słonecznych, temperatura obudowy znacznie wzrośnie, co spowoduje skrócenie dopuszczalnego czasu pracy. Dlatego możliwe jest, że po krótkim czasie wyłączy się wyłącznik temperaturowy, jak również urządzenie. Należy poczekać aż urządzenie schłodzi się.

## 8. Utrzymanie i konserwacja



### OSTRZEŻENIE



- Przed rozpoczęciem jakichkolwiek prac związanych z czyszczeniem, konserwacją lub serwisowaniem należy odłączyć urządzenie od sieci zasilającej.
- Odnośnie poniższych wskazówek: Jeden cykl odpowiada jednokrotnemu podniesieniu i opuszczaniu ładunku. Kontrola okresowa oznacza kontrolę po przebiegu 100 cykli.

### Czyszczenie

- Wszystkie urządzenia zabezpieczające, otwory wentylacyjne i obudowa silnika powinny być wolne od zanieczyszczeń i pyłu.
- Przetrzeć urządzenie czystą szmatką lub przedmuchać sprężonym powietrzem pod niskim ciśnieniem. Regularnie czyścić urządzenie wilgotną ściereczką z dodatkiem szarego mydła. Nie stosować środków czyszczących ani rozpuszczalników; może to uszkadzać plastikowe części urządzenia. Upewnić się, że do urządzenia nie przedostanie się woda.
- Zalecamy czyszczenie urządzenia bezpośrednio po każdym użytkowaniu.

### Konserwacja

- Co 30 cykli sprawdzać, czy cała lina stalowa jest w dobrym stanie. Jeżeli stwierdzono uszkodzenia (zniszczenie lub wygięcie, patrz rysunek poniżej), musi zostać wymieniona na linę stalową odpowiadającą typowi podanemu w danych technicznych urządzenia.



- Sprawdzić, czy kabel zasilający, przełącznik zatrzymujący silnik i przycisk są w pełni sprawne.

### Serwisowanie

- Okresowo sprawdzać, czy wyłączniki krańcowe na wciągarnie linowej są sprawne. Kontrolę należy przeprowadzić w następujący sposób: po osiągnięciu przez linę maksymalnej wysokości podnoszenia aktywowana jest dźwignia automatycznego mechanizmu zatrzymującego. Następnie silnik musi się zatrzymać (test bez obciążenia).
- Gdy lina stalowa jest maksymalnie rozwinięta, aktywowana jest dźwignia maksymalnej długości liny. Następnie silnik musi się zatrzymać.
- Systematycznie sprawdzać stan kabla sieciowego i sterowania.
- Co 200 cykli smarować linę stalową i krążek zwrotny.
- Co 1000 cykli należy sprawdzić, czy śruby zacisków mocujących i krążka zwrotnego są właściwie dokręcone.
- Co 1000 cykli sprawdzić, czy haki i krążek zwrotny są w dobrym stanie.
- Przed użyciem urządzenia należy sprawdzić, czy wyłącznik awaryjny i przyciski są całkowicie sprawne.
- Co 1000 cykli sprawdzić układ hamulcowy. Jeśli silnik wydaje nietypowe odgłosy lub nie jest w stanie podnieść obciążenia znamionowego, wówczas układ hamulcowy może wymagać naprawy:
  - Wymienić uszkodzone lub zużyte części, a związaną z tym dokumentację serwisową należy przechowywać w bezpiecznym miejscu.
  - W przypadku nieplanowanych prac konserwacyjnych należy skontaktować się z autoryzowanym centrum serwisowym.

### Przechowywanie

- Przechowywać urządzenie i jego wyposażenie poza zasięgiem dzieci w ciemnym i suchym miejscu, w temperaturze powyżej temperatury krzepnięcia. Optymalna temperatura przechowywania wynosi od 5 do 30 °C. Przechowywać urządzenie w oryginalnym opakowaniu.

## 9. Wykrywanie i usuwanie usterek

Nieprawidłowe działanie	Przyczyna	Rozwiązanie
Przełącznik wł.-wył. nie działa.	Urządzenie nie jest podłączone do zasilania.	Podłączyć do źródła zasilania.
	Przewody są przerwane lub uszkodzone.	Sprawdzić przewody i ponownie podłączyć do źródła zasilania.
	Usterka przełącznika.	Naprawić lub wymienić przełącznik.
	Kondensator jest przepalony.	Wymienić kondensator.
	Nie zresetowano wyłącznika krańcowego lub błąd wyłącznika krańcowego.	Sprawdzić i wymienić wyłącznik krańcowy.
	Przerwane przewody w wyłączniku termicznym.	Poczekać, aż urządzenie schodzi się lub wymienić wyłącznik termiczny.
Przełącznik dwukierunkowy został aktywowany. Silnik jest bardzo głośny, ale nie jest w stanie podnieść ładunku.	Dostarczane napięcie jest zbyt niskie.	Dostosować pracę, w zależności od zasilania.
	Kondensator uległ uszkodzeniu.	Zmienić zasilanie.
	Hamulec nie jest całkowicie otwarty.	Przekazać urządzenie do wykwalifikowanego serwisu w celu naprawy.
Po utracie zasilania hamulce nie trzymają lub urządzenie zsuwa się.	Odstęp między hamulcami jest zbyt duży.	Przekazać urządzenie do wykwalifikowanego serwisu w celu naprawy.
	Sprężyna hamulca jest zerwana.	
	Tarcza hamulcowa jest zablokowana.	
	Tarcza hamulcowa jest zabrudzona.	
Hałas wytwarzany przez maszynę staje się głośniejszy	Złe naoliwienie.	Naoliwić/nasmarować urządzenie.
	Po długim użytkowaniu koło zębate i łożyska ulegają uszkodzeniu.	Wymienić koło zębate lub łożyska.
	Zły montaż lub wgniecenie.	Sprawdzić zamontowane części.
Urządzenie jest naładowane statycznie.	Błąd uziemienia lub brak połączenia z uziemieniem.	Sprawdzić uziemione przewody i prawidłowo je podłączyć.
	Złącza wewnętrzne dotyczą obudowy.	Sprawdzić wszystkie połączenia wewnętrzne.
Wyłącznik krańcowy nie działa.	Wyłącznik krańcowy jest uszkodzony.	Wyłączyć lub wymienić.
	Wyłącznik krańcowy jest zablokowany.	Sprawdzić i naprawić lub wymienić wyłącznik krańcowy.

## 10. Specyfikacja techniczna

### WEH200

zasilanie .....	maks. 230 V~, 50 Hz
pobór mocy.....	1000 W
konfiguracja z pojedynczym hakiem	
maks. udźwig .....	200 kg
wysokość podnoszenia .....	12 m
prędkość podnoszenia .....	8 m/min.
konfiguracja z dwoma hakami	
maks. udźwig .....	400 kg
wysokość podnoszenia .....	6 m
prędkość podnoszenia .....	4 m/min.
wymiary liny .....	Ø 4 mm x 12 m
poziom ciśnienia akustycznego (LWA) .....	71 dB(A)

### WEH300

zasilanie .....	maks. 230 V~, 50 Hz
pobór mocy.....	1050 W
konfiguracja z pojedynczym hakiem	
maks. udźwig .....	300 kg
wysokość podnoszenia .....	12 m
prędkość podnoszenia .....	8 m/min.
konfiguracja z dwoma hakami	
maks. udźwig .....	600 kg
wysokość podnoszenia .....	6 m
prędkość podnoszenia .....	4 m/min.
wymiary liny .....	Ø 4,5 mm x 12 m
poziom ciśnienia akustycznego (LWA) .....	71 dB(A)

**Należy używać wyłącznie oryginalnych akcesoriów. Firma Velleman nv nie ponosi odpowiedzialności za uszkodzenia lub urazy wynikające z (niewłaściwego) korzystania z niniejszego urządzenia. Aby uzyskać więcej informacji dotyczących produktu i najnowszą wersję niniejszej instrukcji, należy odwiedzić naszą stronę internetową [www.velleman.eu](http://www.velleman.eu). Informacje zawarte w niniejszej instrukcji obsługi mogą ulec zmianie bez wcześniejszego powiadomienia.**

#### © INFORMACJA O PRAWACH AUTORSKICH

**Właścicielem praw autorskich do niniejszej instrukcji jest firma Velleman nv. Wszelkie prawa są zastrzeżone na całym świecie.** Żadna część niniejszej instrukcji nie może być kopiowana, powielana, tłumaczona ani przenoszona na jakikolwiek nośnik elektroniczny (lub w inny sposób) bez wcześniejszej pisemnej zgody właściciela praw autorskich.

# MANUAL DO UTILIZADOR

## 1. Introdução



### Aos cidadãos da União Europeia

#### Importantes informações sobre o meio ambiente no que respeita a este produto

Este símbolo no aparelho ou na embalagem indica que, enquanto desperdícios, poderão causar danos no meio ambiente. Não coloque a unidade (ou as pilhas) no depósito de lixo municipal; deve dirigir-se a uma empresa especializada em reciclagem. Devolva o aparelho ao seu distribuidor ou ao posto de reciclagem local. Respeite a legislação local relativa ao meio ambiente.

**Em caso de dúvidas, contacte com as autoridades locais para os resíduos.**

Agradecemos o facto de ter escolhido a Toolland! Leia atentamente as instruções do manual antes de usar o aparelho. Caso o aparelho tenha sofrido algum dano durante o transporte não o instale e entre em contacto com o seu distribuidor.

## 2. Instruções de segurança



Leia este manual atentamente antes da utilização ou instalação.



Usar apenas em interiores. O guincho não pode ser usado no exterior.

- Este aparelho pode ser usado por crianças com idade igual ou superior a 8 anos e pessoas com capacidades físicas, mentais e sensoriais reduzidas, ou com falta de experiência e conhecimentos acerca do aparelho, desde que sejam supervisionadas e informadas acerca da utilização do aparelho e possíveis acidentes. As crianças não devem brincar com o aparelho. A limpeza e manutenção não devem ser feitas por crianças sem a devida supervisão.
- Nunca use o aparelho para transportar pessoas.
- Nunca permaneça ou trabalhe por baixo da carga suspensa.
- Verifique sempre se a tensão da rede é idêntica à tensão indicada na placa de classificação. Se a tensão da tomada de corrente não for a adequada, o aparelho pode não funcionar corretamente e provocar até acidentes pessoais.
- A fonte de alimentação tem de estar ligada à terra e protegida por um disjuntor operado por corrente residual (RCCB).
- Mantenha a área de trabalho sempre limpa. Espaços de trabalho bancadas desordenados podem levar à ocorrência de acidentes.
- Proteja -se de choque elétricos. Evite contacto físico com superfícies aterradas (por ex. tubos, radiadores de calor, fogões ou frigoríficos).
- Não tente levantar cargas que excedam a carga máxima recomendada (ver placa de dados).
- Não use dois ou mais aparelhos para içar o mesmo objeto.

- Use o aparelho apenas para a função para que foi concebido. Nunca levante pessoas usando o cabo de guindaste.
- Nunca desligue a ficha da tomada puxando pelo cabo. Proteja o cabo de alimentação de calor, óleo e arestas.
- Nunca tente elevar cargas presas ou entaladas. É proibido levantar um peso torto ou puxá-lo arrastando-o pelo chão. É proibido transportar massas fundidas.
- Não permita arranques indesejados com um cabo de aço solto. Certifique-se de que levanta as cargas do chão na velocidade mais baixa. O cabo deve estar tenso, mas não desenrolado, quando iniciar o levantamento do chão.
- Desligue da corrente elétrica depois de usar.
- Não puxe cargas lateralmente ou por um dos lados. Não permita que a carga balance.
- Garanta que o gancho se move na mesma direção que é indicada no interruptor de controlo.
- O interruptor de termo não é para ser usado como interruptor de desligar ou para ser desmontado, este funciona como dispositivo de segurança para evitar que a carga seja içada para além do limite recomendado.
- Não deixe a carga suspensa no ar durante muito tempo de modo a evitar a deformação das peças. Não proceda a qualquer reparação ou verificação enquanto o aparelho estiver em funcionamento.
- Verifique o guincho regularmente para ver se existem quaisquer danos. O interruptor de controlo tem de estar sempre em perfeitas condições.
- Guarde o aparelho de forma adequada sempre que este não esteja a ser usado. Guardar num local, alto ou que possa ser trancado, fora do alcance de crianças incluindo os sacos plásticos, caixas, isopor, etc.
- As reparações e manutenção devem ser feitas em oficinas autorizadas e por eletricitistas qualificados. As reparações só devem ser feitas por eletricitistas qualificados.
- Não ligue ou desligue o aparelho de forma brusca (modo arranque lento).
- Concentre-se totalmente sempre que estiver a trabalhar com o guincho.
- Dependendo da frequência de utilização, após 20 horas de funcionamento contínuo, o aparelho deve ser sujeito a manutenção (pelo menos uma vez por ano).
- Se os travões deixarem de funcionar e a carga baixar rapidamente, pressione o interruptor de desligar de imediato e depois o interruptor de ligar. Depois de baixar a carga, por favor leve o aparelho para que este seja reparado por profissionais qualificados.



## Em caso de emergência

Pressione o botão de emergência para fazer o aparelho parar em caso de perigo ou emergência. Para libertar o botão rode-o no sentido dos ponteiros do relógio.



## 3. Normas gerais

- Consulte a Garantia de Serviço e Qualidade Velleman® na parte final deste manual do utilizador.
- Por razões de segurança, estão proibidas quaisquer modificações do aparelho desde que não autorizadas. Os danos causados por modificações não autorizadas do aparelho não estão cobertos pela garantia.
- Utilize o aparelho apenas para as aplicações descritas neste manual. Uma utilização incorreta anula a garantia completamente.
- Danos causados pelo não cumprimento das normas de segurança referidas neste manual anulam a garantia e o seu distribuidor não será responsável por quaisquer danos ou outros problemas daí resultantes.
- Nem a Velleman NV nem os seus distribuidores podem ser responsabilizados por quaisquer danos (extraordinário, incidental ou indireto) - de qualquer natureza decorrentes (financeira, física ...) a partir da posse, uso ou falha do produto.
- Guarde este manual para posterior consulta.

## 4. Descrição

Veja as imagens na página 2 deste manual.

<b>1</b>	braçadeira de aperto
<b>2</b>	furo de fixação para o gancho
<b>3</b>	tambor
<b>4</b>	comprimento máximo do cabo da alavanca
<b>5</b>	alavanca com paragem automática
<b>6</b>	cabo em aço
<b>7</b>	peso de corte
<b>8</b>	gancho para a carga
<b>9</b>	interruptor para paragem de emergência

<b>10</b>	botão
<b>11</b>	controlo remoto
<b>12</b>	cabo de alimentação
<b>13</b>	cabo de controlo
<b>14</b>	motor
<b>15</b>	roldana de retorno
<b>16</b>	gancho adicional
<b>17</b>	cabo do comando à distância

## 5. Utilização Correta

O aparelho foi concebido para içar e baixar cargas em áreas fechadas de acordo com a capacidade do do aparelho.

O aparelho só deve ser usado para a função para a qual foi concebido. Qualquer outra utilização pode ser considerada utilização indevida. O utilizador/operador, e nunca o fabricante, será sempre responsável por qualquer tipo de danos causados por esta situação.

Lembre-se que este aparelho não foi projetado para ser utilizado em aplicações comerciais ou industriais. A garantia será anulada se o aparelho for usado em atividades comerciais ou industriais ou qualquer finalidade semelhante.

## 6. Antes da Utilização

### Instruções

- Antes de ligar o aparelho à corrente elétrica certifique-se de que as características técnicas da tomada elétrica correspondem aos dados inscritos na placa.
- Desligue sempre da tomada de corrente elétrica antes de fazer quaisquer ajustes no equipamento.
- Faça um teste sem carga antes de começar a utilizar o aparelho, e por favor verifique:
  - a flexibilidade do interruptor para cima/para baixo para se certificar do controlo do aparelho e da função de baixar o gancho da carga.
  - a flexibilidade do suporte de limite superior para verificar o circuito de corte.
  - a flexibilidade do limite inferior do suporte para garantir o circuito de corte quando o cabo de aço estiver quase gasto.
  - qualquer som anormal ao iniciar o funcionamento.
  - o cabo de aço está possivelmente danificado (dividido ou dobrado) ou alcançou as 20 horas de utilização. Neste caso, mude o cabo imediatamente.
- Este aparelho não é indicado para transportar massas quentes e/ou derretidas. Para além disto, não se recomenda a sua utilização sob baixas temperaturas ou em condições atmosféricas agressivas.
- O aparelho pertence ao grupo mecânico M1.
- Certifique-se de que o operador sabe como o aparelho funciona e de como deve ser manuseado.
- O utilizador deve sempre trabalhar com o aparelho da forma descrita nas instruções de funcionamento.
- O aparelho não foi concebido para funcionar em modo contínuo. O seu modo de funcionamento é intermitente sem influenciar o processo de arranque.
- A capacidade do aparelho não varia consoante a posição da carga.
- Por favor verifique o gancho antes de cada utilização procurando eventuais danos ou deformações. Substitua-o imediatamente.
- O tempo de duração do aparelho é de aproximadamente 8000 ciclos (exceto peças sujeitas a desgaste). Quando o aparelho completar 8.000 ciclos, todas as suas peças mecânicas devem ser verificadas e revistas.
- Funcionamento usando um dispositivo de proteção de corrente residual (Interruptor Vermelho de Paragem de Emergência) oferece proteção adicional em caso de perigo e em circunstâncias de emergência. Para usar o interruptor de paragem de emergência, aperte a cabeça do interruptor na direção das setas para retomar o funcionamento após a eliminação dos danos.
- Certifique-se de que todas as peças estão suficientemente lubrificadas. Aplique o lubrificante na carga no gancho, no cabo no tambor no eixo, na caixa de velocidades, e no rolamento a cada seis meses.

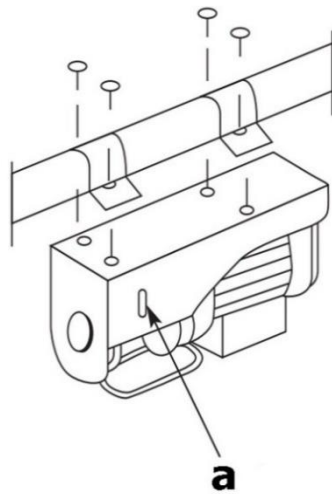
### Desembalar

- Após abrir a embalagem, verifique a estrutura, o cabo de aço, o gancho e o mecanismo de controlo elétrico para ver se existem danos causados pelo transporte.

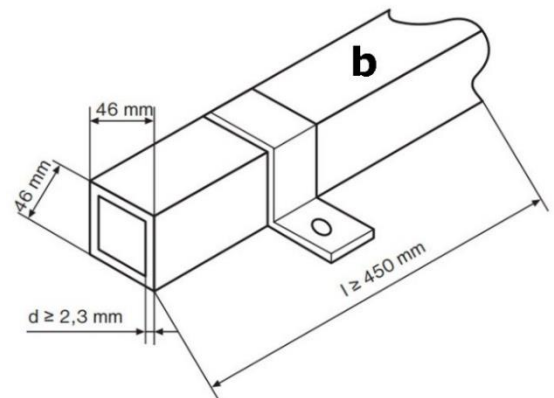
### Montagem e Instalação

- O aparelho é instalado usando duas braçadeiras de aperto com as quais deve ser fixado a um tubo retangular. As dimensões do braço devem estar em conformidade com o tamanho das braçadeiras e este tem de ser capaz de suportar duas vezes a carga nominal. Recomendamos que procure aconselhamento junto de um técnico qualificado.
- Todos os parafusos têm de ser devidamente apertados. Um técnico qualificado deve verificar a ancoragem do braço antes da máquina ser posta a funcionar.
- Instale o aparelho numa viga em aço. Use apenas os suportes de instalação incluídos que podem ser fixados na parte superior da caixa de montagem usando os parafusos, anilhas e anilhas de pressão. A viga de aço deve ser capaz de suportar pelo menos o dobro da capacidade de elevação nominal do aparelho.
- A viga de aço deve ter um diâmetro de 46 x 46 mm, uma espessura de parede de pelo menos 2.3 mm e um comprimento de pelo menos 450 mm.
- A viga em aço tem de estar devidamente ancorada numa parede. A âncora deve ser instalada de forma robusta para poder suportar a carga.
- Certifique-se de que o aparelho é instalado de forma nivelada e não inclinado.

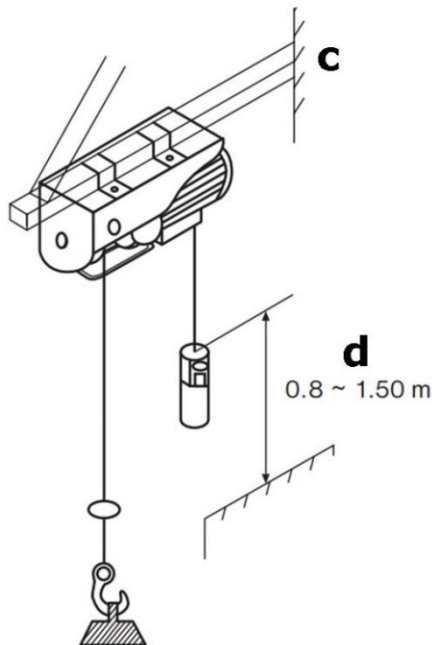
- O comando à distância tem de estar sempre acessível e como tal tem de estar instalado a uma distância do chão entre 0.8 m e 1.5 m.
- Insira o gancho da carga no suporte para o gancho existente na caixa de montagem sempre que usar o gancho de carga adicional com eixo desviante.



a. suporte do gancho



b. aço

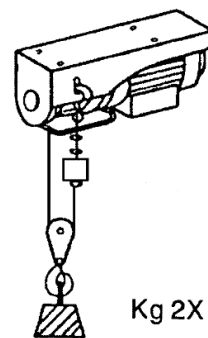
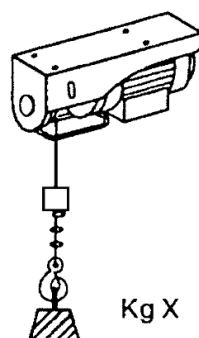


- c. controlo remoto
- d. distância até ao chão

### Função Bloco de Roldana

O aparelho está equipado com uma roldana de retorno e um gancho adicional. Se estas peças forem usadas corretamente, o aparelho consegue levantar duas vezes a sua carga nominal.

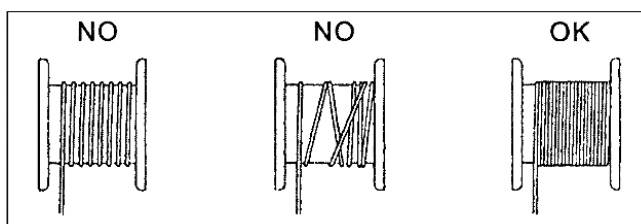
Monte a roldana de retorno e o gancho adicional conforme indicado. O gancho permanente tem de ser preso ao orifício de fixação. A carga é agora içada por dois cabos de aço, o que significa que o aparelho pode levantar duas vezes a sua carga nominal.



## 7. Utilização

### Informação para Utilização

- Retire a fita adesiva do tambor antes da primeira utilização.
- O valor das emissões de ruído com classificação A no lugar do operador é inferior a 70 dB.
- Potência de alimentação: 230 V~ ± 10 %, 50 Hz ± 1 %.
- O aparelho deve funcionar numa temperatura ambiente entre os 5 °C e os 40 °C com uma humidade relativa inferior a 90 %. altura acima do nível do mar máx. 1.000 m.
- A temperatura para transporte e armazenamento deve estar entre -25 °C e 55 °C. A temperatura máxima não pode exceder os 70 °C.
- O operador deve levantar a carga do chão a uma velocidade o mais lenta possível. O cabo deve estar esticado sempre que uma carga é içada.
- O motor do aparelho é montado com um interruptor termostato. Enquanto o aparelho está a funcionar pode acontecer o motor parar. Este recomeçará a trabalhar automaticamente assim que arrefecer.
- O aparelho não está equipado com um limitador de corrente. Não deve, portanto, continuar a tentar levantar uma carga se a sobrecarga estiver a limitar o funcionamento do aparelho. Neste caso a carga excede a capacidade nominal do aparelho.
- Nunca deixe cargas içadas sem supervisão sem antes tomar as devidas precauções de segurança.
- Instale o aparelho com um fusível de 10 A ou um disjuntor operado por corrente residual de 10 A (RCCB) para proteger o circuito.
- Não use a alavanca como forma usual de fazer parar o aparelho. Esta só deve ser usada para fazer parar o aparelho em caso de emergência.
- Antes de começar, certifique-se de que o cabo de aço está devidamente enrolado em volta do tambor e que o espaço entre as voltas é mais pequeno que o cabo de aço.



- Certifique-se de que a carga está presa corretamente ao gancho ou, se estiver a usar o bloco e talha, o gancho adicional e mantenha sempre uma distância de segurança em relação à carga e ao cabo de aço.

### Utilização

- Verifique se o interruptor de emergência foi pressionado. Rode o interruptor vermelho no sentido dos ponteiros do relógio para o libertar
- Pressione ▲ para levantar a carga.
- Pressione ▼ para baixar a carga.
- Alavanca do mecanismo de paragem automática: quando é atingida a altura máxima de levantamento, o peso de corte vai pressionar a alavanca para cima. Isto ativa um interruptor de limite após o que a carga não pode ser mais levantada.
- Alavanca para comprimento máximo do cabo: quando a carga atinge a posição mais baixa possível, um interruptor de limite é ativado o que torna impossível baixar mais a carga. Este interruptor de limite também impede que o aparelho trabalhe na direção errada (o gancho move-se na direção oposta à seta indicada no interruptor de controlo).
- O aparelho para caso o interruptor de emergência tenha sido pressionado.
- Em caso de emergência, pressione de imediato o interruptor de emergência para fazer parar o aparelho. O aparelho não pode ser posto a trabalhar se o interruptor de emergência tiver sido pressionado.

### Classificação Intermitente

Este aparelho foi projetado para funcionar tipo S 3 20% - 10 min. (funcionamento intermitente periódica). O ciclo de trabalho relativo é de 20%, o que significa que o aparelho pode ser operado com a carga nominal durante 2.0 minutos durante cada ciclo operacional e deve ser desligado durante 8 minutos até arrefecer. O aparelho pode, portanto, ser utilizado continuamente durante 20% do tempo total do ciclo funcionamento de 10 minutos para uma carga nominal.

#### sobrecarga

- Este aparelho não é indicado para utilização contínua. O motor está protegido contra sobrecarga e sobreaquecimento através de um interruptor de temperatura.
- Se o tempo de funcionamento permitido for excedido, a temperatura do motor vai aumentar e o interruptor de temperatura desliga o aparelho. O interruptor de temperatura vai voltar a ligar o aparelho automaticamente após o tempo de arrefecimento.
- Em caso de utilização do aparelho com uma carga menor, o tempo de utilização irá aumentar e o tempo de arrefecimento irá diminuir.
- Em de exposição direta à luz solar, a temperatura da caixa vai aumentar significativamente, o que fará também diminuir o tempo de utilização permitido. É portanto possível que o interruptor de temperatura se desligue após um curto período e que o aparelho se desligue. Por favor aguarde até o aparelho ter arrefecido.

## 8. Cuidados e manutenção



### ADVERTÊNCIA



- Desligue sempre o aparelho da tomada de corrente elétrica antes de iniciar qualquer limpeza, manutenção ou reparação.
- No seguinte: Um ciclo significa um movimento de levantar e baixar uma carga. Inspeção periódica significa uma inspeção após cada 100 ciclos.

#### Limpeza

- Mantenha todos os dispositivos de segurança, orifícios de ventilação e a caixa do motor livres de poeira e sujidade.
- Limpe o aparelho com um pano limpo ou usando um compressor de ar em baixa pressão. Limpe o aparelho regularmente com um pano húmido e um detergente suave. Não use agentes de limpeza ou solventes uma vez que estes podem danificar as peças plásticas do aparelho. Lembre-se que não pode deixar entrar água no interior do aparelho.
- Recomendamos a limpeza do aparelho imediatamente após a sua utilização.

#### Manutenção

- Verifique a cada 30 ciclos se o cabo de aço está em boas condições. Se estiver danificado (partido ou vergado, ver imagem abaixo), este tem de ser substituído por um cabo em aço do tipo indicado nos dados técnicos.



- Verifique se a fonte de alimentação, interruptor de paragem do motor e botão de pressão estão em boas condições.

#### Manutenção

- Teste periodicamente se os interruptores de limite do cabo guindaste estão na ordem de funcionamento correta. Faça este teste da seguinte forma: assim que o cabo atingir a altura máxima, a alavanca do mecanismo de paragem automática é ativada. O motor deve então parar (testar sem carga).

- Sempre que o cabo de aço for desenrolado até ao máximo, a alavanca para o comprimento máximo do do cabo é ativada. O motor deve então parar.
- Inspeccione o cabo de alimentação e o cabo de controlo periodicamente.
- O cabo em aço e a roldana de retorno devem ser oleados a cada 200 ciclos.
- Verifique a cada 1000 ciclos se os parafusos das braçadeiras de aperto e da roldana de retorno estão devidamente apertados
- Verifique a cada 1000 ciclos se os ganchos e a roldana de retorno estão em boas condições.
- Antes de utilizar o aparelho verifique se o interruptor de emergência e os botões de pressão estão a funcionar corretamente.
- Verifique o sistema de travagem a cada 1000 ciclos. Se o motor fizer barulhos anormais ou não conseguir levantar a carga, é possível que o sistema de travagem precise de uma revisão.
  - Substitua peças danificadas ou desgastadas e guarde a documentação relativa à manutenção num local seguro.
  - Por favor contacte um serviço de assistência autorizado em caso de necessidade de um serviço de manutenção não agendado.

### Armazenamento

- Guarde aparelho e os acessórios fora do alcance das crianças, num local escuro e seco, com temperatura acima dos zero graus. A temperatura ideal para armazenamento é entre 5 e 30 °C. Guarde o aparelho na sua embalagem original.

## 9. Resolução de problemas

Mau funcionamento	Causa	Solução
O interruptor on-off não funciona.	Não está ligado à fonte de alimentação.	Ligue-o à fonte de alimentação.
	Os fios estão quebrados ou descarnados.	Verifique os fios e volte a liga-los à fonte de alimentação.
	Mau funcionamento do interruptor.	Mande reparar o interruptor ou substitua-o.
	O condensador está totalmente queimado.	Substitua o condensador.
	O interruptor de termo não foi reinicializado ou existe um erro no interruptor de limite.	Verifique o interruptor de termo e substitua o interruptor de limite.
	O interruptor térmico tem o fio danificado.	Aguarde até o item arrefecer ou substitua o interruptor térmico.
O interruptor de duas direções foi ativado. O motor faz barulho mas não consegue levantar a carga.	A tensão fornecida é demasiado baixa.	Ajuste o trabalho tendo em conta o fornecimento de corrente.
	O condensador está danificado.	Troque a fonte de alimentação.
	O travão não está completamente aberto.	Leve o aparelho para ser reparado numa oficina de reparações autorizada.
Após uma queda de energia, os travões não seguram ou o aparelho desliza para baixo.	A distância entre os travões é demasiado grande.	Leve o aparelho para ser reparado numa oficina de reparações autorizada.
	A mola de travão está danificada.	
	O disco de travão está bloqueado.	
	O disco do travão está sujo.	
O barulho da máquina torna-se mais intenso	Má lubrificação.	Lubrifique o aparelho.
	Após uma utilização prolongada, a roda dentada e os rolamentos ficam danificados.	Substitua a roda dentada e os rolamentos.
	Instalação deficiente.	Verifique as peças instaladas.

O aparelho está carregado de forma estática.	Erro de aterramento ou ligação à terra não existente.	Verifique os cabos de ligação à terra e ligue-os corretamente.
	Os conectores internos estão a tocar na caixa exterior.	Verifique todas as ligações internas.
O interruptor de limite não está a funcionar.	O interruptor de limite está danificado.	Desligue-o ou substitua-o.
	O interruptor de limite está bloqueado.	Verifique, repare e substitua o interruptor de limite.

## 10. Especificações

### WEH200

alimentação .....	máx. 230 V~, 50 Hz
consumo.....	1000 W
configuração do gancho simples	
capacidade de carga máxima .....	200 kg
altura de elevação .....	12 m
velocidade de levantamento.....	8 m/min.
configuração do gancho duplo	
capacidade de carga máxima .....	400 kg
altura de elevação .....	6 m
velocidade de levantamento.....	4 m/min.
dimensões do cabo .....	Ø 4 mm x 12 m
nível de pressão do som (LWA) .....	71 dB(A)

### WEH300

alimentação .....	máximo 230 V~, 50 Hz
consumo.....	1050 W
configuração do gancho simples	
capacidade de carga máxima .....	300 kg
altura de elevação .....	12 m
velocidade de levantamento.....	8 m/min.
configuração do gancho duplo	
capacidade de carga máxima .....	600 kg
altura de elevação .....	6 m
velocidade de levantamento.....	4 m/min.
dimensões do cabo .....	Ø 4.5 mm x 12 m
nível de pressão do som (LWA) .....	71 dB(A)

**Utilize este aparelho apenas com acessórios originais. A Velleman NV não será responsável por quaisquer danos ou lesões causadas pelo uso (indevido) do aparelho. Para mais informação sobre este produto e para aceder à versão mais recente deste manual do utilizador, visite a nossa página [www.velleman.eu](http://www.velleman.eu). Podem alterar-se as especificações e o conteúdo deste manual sem aviso prévio.**

#### © DIREITOS DE AUTOR

**A Velleman NV detém os direitos de autor deste manual do utilizador. Todos os direitos mundiais reservados.** É estritamente proibido reproduzir, traduzir, copiar, editar e gravar este manual do utilizador ou partes deste sem prévia autorização escrita por parte da detentora dos direitos.



## EC DECLARATION OF CONFORMITY

The following product:

---

### **TOOLLAND**

(Brand)

### **ELECTRIC HOIST 200-400 Kg**

Power requirements: **230V AC, 50Hz**

(Type of equipment, description)

---

### **WEH200**

(Model designation)

complies with the essential requirements of:  
Council Directive 2006/42/EC on machinery (MD).

Assessment of compliance of the product with the requirements relating to Council Directive 2006/42/EC (MD) was based on (relevant parts of) the following standards:

**EN ISO 12100:2010**  
**EN 14492-2:2006 +A1**  
**EN 60204-32:2008**



Council Directive 2011/65/EU on the restriction of the use of certain hazardous substances in electrical and electronic equipment (RoHS).

Commission delegated Directive (EU) 2015/863 amending annex II to Directive 2011/65/EU (RoHS) with the provisions of Phtalates.

This declaration is the sole responsibility of the manufacturer/importer:

VELLEMAN nv  
Legen Heirweg, 33  
9890 Gavere  
Belgium

Authorised person signing for the company:  
Peter Delbecque - CEO

Date and place of issue:  
Gavere, 14/10/2020





## EC-CONFORMITEITSVERKLARING

Het volgende product:

---

### **TOOLLAND**

(Merk)

### **ELEKTRISCHE KABELTAKEL 200-400 kg**

Voeding: **230V AC, 50Hz**

(Apparatuur, omschrijving)

---

### **WEH200**

(Model)

voldoet aan de essentiële eisen van:  
Machinerichtlijn 2006/42/EC (MD).

De Conformiteitsbeoordeling van het product betreffende de Richtlijn 2006/42/EG (MD) van de Raad is gebaseerd op (relevante onderdelen van) de volgende normen:

**EN ISO 12100:2010**  
**EN 14492-2:2006 +A1**  
**EN 60204-32:2008**



de Richtlijn 2011/65/EU van de Raad betreffende de beperking van het gebruik van bepaalde gevaarlijke stoffen in elektrische en elektronische apparatuur (RoHS).

Gedelegeerde Richtlijn (EU) 2015/863 van de Commissie tot wijziging van bijlage II bij Richtlijn 2011/65/EU (RoHS) met de bepalingen voor ftalaten.

De exclusieve verantwoordelijkheid voor de uitgifte van deze conformiteitsverklaring wordt gedragen door de fabrikant/importeur:

VELLEMAN nv  
Legen Heirweg 33  
9890 Gavere  
België

Bevoegde ondertekenaar voor de firma:  
Peter Delbecque - CEO

Plaats en datum van uitgifte:  
Gavere, 14/10/2020



## DÉCLARATION UE DE CONFORMITÉ

Le produit suivant :

### **TOOLLAND**

(Marque)

### **PALAN ÉLECTRIQUE 200-400 kg**

Alimentation : **230V AC, 50Hz**

(Type d'équipement, description)

### **WEH200**

(Modèle)

est conforme aux exigences essentielles de :  
la Directive 2006/42/CE relative aux machines (MD).

L'évaluation de conformité du produit avec les exigences relatives à la Directive 2006/42/CE du Conseil (MD) est basée sur (des parties pertinentes) les normes suivantes :

**EN ISO 12100:2010**  
**EN 14492-2:2006 +A1**  
**EN 60204-32:2008**



la Directive 2011/65/UE du Conseil relative à la limitation de l'utilisation de certaines substances dangereuses dans les équipements électriques et électroniques (RoHS).

Directive déléguée (EU) 2015/863 de la Commission modifiant l'annexe II de la Directive 2011/65/EU (RoHS) avec les dispositions pour phtalates.

La présente déclaration de conformité est établie sous la seule responsabilité exclusive du fabricant / importateur :

Velleman SA  
Legen Heirweg, 33  
9890 Gavere  
Belgique

Signataire autorisé de la société :  
Peter Delbecqne - CEO

Place et date d'émission :  
Gavere, 14/10/2020



## DECLARACIÓN EC DE CONFORMIDAD

El siguiente producto:

---

### **TOOLLAND**

(marca)

### **POLIPASTO ELÉCTRICO 200-400 kg**

Alimentación: **230V AC, 50Hz**

(tipo de equipo, descripción)

---

### **WEH200**

(designación del tipo)

es conforme con los requisitos fundamentales de:  
Directiva de máquinas 2006/42/EC.

La evaluación de la conformidad para con los requisitos relativos a la Directiva 2006/42/EC (Directiva de Máquinas) del Consejo está basada en (partes relevantes de) las siguientes normas:

**EN ISO 12100:2010**  
**EN 14492-2:2006 +A1**  
**EN 60204-32:2008**



La Directiva 2011/65/EU del Parlamento Europeo y del Consejo, relativa a la restricción del uso de ciertas sustancias peligrosas en aparatos eléctricos y electrónicos (RoHS).

Directiva delegada (UE) 2015/863 por la que se modifica el anexo II de la Directiva 2011/65/UE (RoHS) con las disposiciones para ftalatos.

La presente declaración de conformidad se expide bajo la exclusiva responsabilidad del fabricante/importador:

Velleman nv  
Legen Heirweg, 33  
9890 Gavere  
Bélgica

Firmado por y en nombre de:  
Peter Delbecque - director ejecutivo (CEO)

Lugar y fecha de expedición:  
Gavere, 14/10/2020



**velleman**<sup>®</sup>

## EC-KONFORMITÄTSERKLÄRUNG

Folgendes Produkt:

---

### **TOOLLAND**

(Marke)

### **ELEKTRISCHER SEILHEBEZUG 200-400 kg**

---

Stromversorgung: **230V AC, 50Hz**

(Gerätetyp, Beschreibung)

---

### **WEH200**

(Bezeichnung)

die grundlegenden Anforderungen entspricht von:  
Maschinenrichtlinie 2006/42/EC

Konformitätsbewertung des Produkts mit den Anforderungen an die Richtlinie 2006/42/EC (MD) des Europäischen Parlaments und des Rates aufgrund (relevanter Teile) der folgenden Normen:

**EN ISO 12100:2010**  
**EN 14492-2:2006 +A1**  
**EN 60204-32:2008**



Richtlinie 2011/65/EU des Europäischen Parlaments und des Rates über die Beschränkung der Verwendung bestimmter gefährlicher Stoffe in Elektro- und Elektronikgeräten (RoHS).

Delegierte Richtlinie (EU) 2015/863 zur Änderung von Anhang II der Richtlinie 2011/65/EU (RoHS) mit den Dispositionen für Phthalate.

Die alleinige Verantwortung für die Ausstellung dieser Konformitätserklärung trägt der Hersteller/Importeur:

Velleman nv  
Legen Heirweg, 33  
9890 Gavere  
Belgien

Unterzeichnet für und im Namen von:  
Peter Delbecque - Geschäftsführer (CEO)

Datum und Ort der Ausstellung:  
Gavere, 14/10/2020



## DEKLARACJA ZGODNOŚCI WE

Niniejszy produkt:

---

### **TOOLLAND**

(Marka)

### **WCIĄGNIK ELEKTRYCZNY 200-400 kg**

---

Wymagania w zakresie zasilania: **230V AC, 50Hz**

(Typ sprzętu, opis)

---

### **WEH200**

(Oznaczenie modelu)

spełnia zasadnicze wymagania:

Dyrektywy Rady 2006/42/WE w sprawie maszyn (MD).

Ocena zgodności produktu z wymaganiami opisanymi w Dyrektywie Rady 2006/42/WE (MD) została oparta o następujące normy (ich odpowiednie części):

**EN ISO 12100:2010**

**EN 14492-2:2006 +A1**

**EN 60204-32:2008**



Dyrektywa Rady 2011/65/UE dotycząca ograniczenia stosowania pewnych substancji niebezpiecznych w sprzęcie elektrycznym i elektronicznym (RoHS).

Dyrektywa delegowana Komisji (UE) 2015/863 zmieniająca załącznik II do dyrektywy 2011/65/UE (RoHS) w zakresie przepisów dotyczących ftalanów.

Wyłącznie odpowiedzialność za niniejszą deklarację ponosi producent / importer:

Velleman nv  
Legen Heirweg, 33  
9890 Gavere  
Belgia

Podpis osoby upoważnionej:  
Peter Delbecque - CEO

Data i miejsce wydania:  
Gavere, 14/10/2020



## DECLARAÇÃO DE CONFORMIDADE CE

O seguinte produto:

### **TOOLLAND**

(Marca)

### **GUINCHO ELÉCTRICO 200-400 kg**

Requisitos em termos de alimentação: **230V AC, 50Hz**

(Tipo de equipamento, descrição)

### **WEH200**

(Designação do modelo)

está em conformidade com os requisitos essenciais da:  
Diretiva do Conselho 2006/42/CE relativa às máquinas (MD).

A avaliação da conformidade do produto em relação às exigências relativas da Diretiva 2006/42/UE (RED) teve como base (partes relevantes das mesmas) as seguintes normas:

**EN ISO 12100:2010**  
**EN 14492-2:2006 +A1**  
**EN 60204-32:2008**



Diretiva 2011/65 / UE relativa à restrição do uso de determinadas substâncias perigosas em equipamentos eléctricos e electrónicos (RoHS).

Diretiva delegada (UE) 2015/863 da comissão que altera o anexo II da Diretiva 2011/65/UE (RoHS) com as disposições relativas aos ftalatos.

Esta declaração é da inteira responsabilidade do fabricante / importador:

VELLEMAN nv  
Legen Heirweg, 33  
9890 Gavere  
Bélgica

Assinatura do responsável com poderes para obrigar a empresa:

Peter Delbecque - Diretor Executivo

Data e local de emissão:

Gavere, 14/10/2020



## EC DECLARATION OF CONFORMITY

The following product:

---

### **TOOLLAND**

(Brand)

### **ELECTRIC HOIST 300-600 Kg**

Power requirements: **230V AC, 50Hz**

(Type of equipment, description)

---

### **WEH300**

(Model designation)

complies with the essential requirements of:  
Council Directive 2006/42/EC on machinery (MD).

Assessment of compliance of the product with the requirements relating to Council Directive 2006/42/EC (MD) was based on (relevant parts of) the following standards:

**EN ISO 12100:2010**  
**EN 14492-2:2006 +A1**  
**EN 60204-32:2008**



Council Directive 2011/65/EU on the restriction of the use of certain hazardous substances in electrical and electronic equipment (RoHS).

Commission delegated Directive (EU) 2015/863 amending annex II to Directive 2011/65/EU (RoHS) with the provisions of Phtalates.

This declaration is the sole responsibility of the manufacturer/importer:

VELLEMAN nv  
Legen Heirweg, 33  
9890 Gavere  
Belgium

Authorised person signing for the company:  
Peter Delbecque - CEO

Date and place of issue:  
Gavere, 14/10/2020



## EC-CONFORMITEITSVERKLARING

Het volgende product:

### **TOOLLAND**

(Merk)

### **ELEKTRISCHE KABELTAKEL 300-600 kg**

Voeding: **230V AC, 50Hz**

(Apparatuur, omschrijving)

### **WEH300**

(Model)

voldoet aan de essentiële eisen van:  
Machinerichtlijn 2006/42/EC (MD).

De Conformiteitsbeoordeling van het product betreffende de Richtlijn 2006/42/EG (MD) van de Raad is gebaseerd op (relevante onderdelen van) de volgende normen:

**EN ISO 12100:2010**  
**EN 14492-2:2006 +A1**  
**EN 60204-32:2008**



de Richtlijn 2011/65/EU van de Raad betreffende de beperking van het gebruik van bepaalde gevaarlijke stoffen in elektrische en elektronische apparatuur (RoHS).

Gedelegeerde Richtlijn (EU) 2015/863 van de Commissie tot wijziging van bijlage II bij Richtlijn 2011/65/EU (RoHS) met de bepalingen voor ftalaten.

De exclusieve verantwoordelijkheid voor de uitgifte van deze conformiteitsverklaring wordt gedragen door de fabrikant/importeur:

VELLEMAN nv  
Legen Heirweg 33  
9890 Gavere  
België

Bevoegde ondertekenaar voor de firma:  
Peter Delbecque - CEO

Plaats en datum van uitgifte:  
Gavere, 14/10/2020





## DÉCLARATION UE DE CONFORMITÉ

Le produit suivant :

---

### **TOOLLAND**

(Marque)

### **PALAN ÉLECTRIQUE 300-600 kg**

Alimentation : **230V AC, 50Hz**

(Type d'équipement, description)

---

### **WEH300**

(Modèle)

est conforme aux exigences essentielles de :  
la Directive 2006/42/CE relative aux machines (MD).

L'évaluation de conformité du produit avec les exigences relatives à la Directive 2006/42/CE du Conseil (MD) est basée sur (des parties pertinentes) les normes suivantes :

**EN ISO 12100:2010**  
**EN 14492-2:2006 +A1**  
**EN 60204-32:2008**



la Directive 2011/65/UE du Conseil relative à la limitation de l'utilisation de certaines substances dangereuses dans les équipements électriques et électroniques (RoHS).

Directive déléguée (EU) 2015/863 de la Commission modifiant l'annexe II de la Directive 2011/65/EU (RoHS) avec les dispositions pour phtalates.

La présente déclaration de conformité est établie sous la seule responsabilité exclusive du fabricant / importateur :

Velleman SA  
Legen Heirweg, 33  
9890 Gavere  
Belgique

Signataire autorisé de la société :  
Peter Delbecqne - CEO

Place et date d'émission :  
Gavere, 14/10/2020



## DECLARACIÓN EC DE CONFORMIDAD

El siguiente producto:

**TOOLLAND**

(marca)

**POLIPASTO ELÉCTRICO 300-600 kg**

Alimentación: **230V AC, 50Hz**

(tipo de equipo, descripción)

**WEH300**

(designación del tipo)

es conforme con los requisitos fundamentales de:  
Directiva de máquinas 2006/42/EC.

La evaluación de la conformidad para con los requisitos relativos a la Directiva 2006/42/EC (Directiva de Máquinas) del Consejo está basada en (partes relevantes de) las siguientes normas:

**EN ISO 12100:2010**  
**EN 14492-2:2006 +A1**  
**EN 60204-32:2008**



La Directiva 2011/65/EU del Parlamento Europeo y del Consejo, relativa a la restricción del uso de ciertas sustancias peligrosas en aparatos eléctricos y electrónicos (RoHS).

Directiva delegada (UE) 2015/863 por la que se modifica el anexo II de la Directiva 2011/65/UE (RoHS) con las disposiciones para ftalatos.

La presente declaración de conformidad se expide bajo la exclusiva responsabilidad del fabricante/importador:

Velleman nv  
Legen Heirweg, 33  
9890 Gavere  
Bélgica

Firmado por y en nombre de:  
Peter Delbecque - director ejecutivo (CEO)

Lugar y fecha de expedición:  
Gavere, 14/10/2020



## EC-KONFORMITÄTSERKLÄRUNG

Folgendes Produkt:

---

### **TOOLLAND**

(Marke)

### **ELEKTRISCHER SEILHEBEZUG 300-600 kg**

---

Stromversorgung: **230V AC, 50Hz**

(Gerätetyp, Beschreibung)

---

### **WEH300**

(Bezeichnung)

die grundlegenden Anforderungen entspricht von:  
Maschinenrichtlinie 2006/42/EC

Konformitätsbewertung des Produkts mit den Anforderungen an die Richtlinie 2006/42/EC (MD) des Europäischen Parlaments und des Rates aufgrund (relevanter Teile) der folgenden Normen:

**EN ISO 12100:2010**  
**EN 14492-2:2006 +A1**  
**EN 60204-32:2008**



Richtlinie 2011/65/EU des Europäischen Parlaments und des Rates über die Beschränkung der Verwendung bestimmter gefährlicher Stoffe in Elektro- und Elektronikgeräten (RoHS).

Delegierte Richtlinie (EU) 2015/863 zur Änderung von Anhang II der Richtlinie 2011/65/EU (RoHS) mit den Dispositionen für Phthalate.

Die alleinige Verantwortung für die Ausstellung dieser Konformitätserklärung trägt der Hersteller/Importeur:

Velleman nv  
Legen Heirweg, 33  
9890 Gavere  
Belgien

Unterzeichnet für und im Namen von:  
Peter Delbecque - Geschäftsführer (CEO)

Datum und Ort der Ausstellung:  
Gavere, 14/10/2020



## DEKLARACJA ZGODNOŚCI WE

Niniejszy produkt:

---

### **TOOLLAND**

(Marka)

### **WCIĄGNIK ELEKTRYCZNY 300-600 kg**

---

Wymagania w zakresie zasilania: **230V AC, 50Hz**

(Typ sprzętu, opis)

---

### **WEH300**

(Oznaczenie modelu)

spełnia zasadnicze wymagania:

Dyrektywy Rady 2006/42/WE w sprawie maszyn (MD).

Ocena zgodności produktu z wymaganiami opisanymi w Dyrektywie Rady 2006/42/WE (MD) została oparta o następujące normy (ich odpowiednie części):

**EN ISO 12100:2010**

**EN 14492-2:2006 +A1**

**EN 60204-32:2008**



Dyrektywa Rady 2011/65/UE dotycząca ograniczenia stosowania pewnych substancji niebezpiecznych w sprzęcie elektrycznym i elektronicznym (RoHS).

Dyrektywa delegowana Komisji (UE) 2015/863 zmieniająca załącznik II do dyrektywy 2011/65/UE (RoHS) w zakresie przepisów dotyczących ftalanów.

Wyłącznie odpowiedzialność za niniejszą deklarację ponosi producent / importer:

Velleman nv  
Legen Heirweg, 33  
9890 Gavere  
Belgia

Podpis osoby upoważnionej:  
Peter Delbecque - CEO

Data i miejsce wydania:  
Gavere, 14/10/2020



## DECLARAÇÃO DE CONFORMIDADE CE

O seguinte produto:

### **TOOLLAND**

(Marca)

### **GUINCHO ELÉCTRICO 300-600 kg**

Requisitos em termos de alimentação: **230V AC, 50Hz**

(Tipo de equipamento, descrição)

### **WEH300**

(Designação do modelo)

está em conformidade com os requisitos essenciais da:  
Diretiva do Conselho 2006/42/CE relativa às máquinas (MD).

A avaliação da conformidade do produto em relação às exigências relativas da Diretiva 2006/42/UE (RED) teve como base (partes relevantes das mesmas) as seguintes normas:

**EN ISO 12100:2010**  
**EN 14492-2:2006 +A1**  
**EN 60204-32:2008**



Diretiva 2011/65 / UE relativa à restrição do uso de determinadas substâncias perigosas em equipamentos eléctricos e electrónicos (RoHS).

Diretiva delegada (UE) 2015/863 da comissão que altera o anexo II da Diretiva 2011/65/UE (RoHS) com as disposições relativas aos ftalatos.

Esta declaração é da inteira responsabilidade do fabricante / importador:

VELLEMAN nv  
Legen Heirweg, 33  
9890 Gavere  
Bélgica

Assinatura do responsável com poderes para obrigar a empresa:

Peter Delbecque - Diretor Executivo

Data e local de emissão:

Gavere, 14/10/2020

**EN****Velleman® Service and Quality Warranty**

Since its foundation in 1972, Velleman® acquired extensive experience in the electronics world and currently distributes its products in over 85 countries. All our products fulfil strict quality requirements and legal stipulations in the EU. In order to ensure the quality, our products regularly go through an extra quality check, both by an internal quality department and by specialized external organisations. If, all precautionary measures notwithstanding, problems should occur, please make appeal to our warranty (see guarantee conditions).

**General Warranty Conditions Concerning Consumer Products (for EU):**

- All consumer products are subject to a 24-month warranty on production flaws and defective material as from the original date of purchase.
- Velleman® can decide to replace an article with an equivalent article, or to refund the retail value totally or partially when the complaint is valid and a free repair or replacement of the article is impossible, or if the expenses are out of proportion.

You will be delivered a replacing article or a refund at the value of 100% of the purchase price in case of a flaw occurred in the first year after the date of purchase and delivery, or a replacing article at 50% of the purchase price or a refund at the value of 50% of the retail value in case of a flaw occurred in the second year after the date of purchase and delivery.

**• Not covered by warranty:**

- all direct or indirect damage caused after delivery to the article (e.g. by oxidation, shocks, falls, dust, dirt, humidity...), and by the article, as well as its contents (e.g. data loss), compensation for loss of profits;
- consumable goods, parts or accessories that are subject to an aging process during normal use, such as batteries (rechargeable, non-rechargeable, built-in or replaceable), lamps, rubber parts, drive belts... (unlimited list);
- flaws resulting from fire, water damage, lightning, accident, natural disaster, etc....;
- flaws caused deliberately, negligently or resulting from improper handling, negligent maintenance, abusive use or use contrary to the manufacturer's instructions;
- damage caused by a commercial, professional or collective use of the article (the warranty validity will be reduced to six (6) months when the article is used professionally);
- damage resulting from an inappropriate packing and shipping of the article;
- all damage caused by modification, repair or alteration performed by a third party without written permission by Velleman®.
- Articles to be repaired must be delivered to your Velleman® dealer, solidly packed (preferably in the original packaging), and be completed with the original receipt of purchase and a clear flaw description.
- Hint: In order to save on cost and time, please reread the manual and check if the flaw is caused by obvious causes prior to presenting the article for repair. Note that returning a non-defective article can also involve handling costs.
- Repairs occurring after warranty expiration are subject to shipping costs.
- The above conditions are without prejudice to all commercial warranties.

**The above enumeration is subject to modification according to the article (see article's manual).**

**NL****Velleman® service- en kwaliteitsgarantie**

Velleman® heeft sinds zijn oprichting in 1972 een ruime ervaring opgebouwd in de elektronica wereld en verdeelt op dit moment producten in meer dan 85 landen. Al onze producten beantwoorden aan strikte kwaliteitseisen en aan de wettelijke bepalingen geldig in de EU. Om de kwaliteit te waarborgen, ondergaan onze producten op regelmatige tijdstippen een extra kwaliteitscontrole, zowel door onze eigen kwaliteitsafdeling als door externe gespecialiseerde organisaties. Mocht er ondanks deze voorzorgen toch een probleem optreden, dan kunt u steeds een beroep doen op onze waarborg (zie waarborgvoorwaarden).

**Algemene waarborgvoorwaarden consumentengoederen (voor Europese Unie):**

- Op alle consumentengoederen geldt een garantieperiode van 24 maanden op productie- en materiaalfouten en dit vanaf de oorspronkelijke aankoopdatum.
- Indien de klacht gegrond is en een gratis reparatie of vervanging van een artikel onmogelijk is of indien de kosten hiervoor buiten verhouding zijn, kan Velleman® beslissen het desbetreffende artikel te vervangen door een gelijkwaardig artikel of de aankoopsum van het artikel gedeeltelijk of volledig terug te betalen. In dat geval krijgt u een vervangend product of terugbetaling ter waarde van 100% van de aankoopsum bij ontdekking van een gebrek tot één jaar na aankoop en levering, of een vervangend product tegen 50% van de kostprijs of terugbetaling van 50% bij ontdekking na één jaar tot 2 jaar.
- **Valt niet onder waarborg:**
  - alle rechtstreekse of onrechtstreekse schade na de levering veroorzaakt aan het toestel (bv. door oxidatie, schokken, val, stof, vuil, vocht...), en door het toestel, alsook zijn inhoud (bv. verlies van data), vergoeding voor eventuele winstderving.
  - verbruiksgoederen, onderdelen of hulpstukken die onderhevig zijn aan veroudering door normaal gebruik zoals bv. batterijen (zowel oplaadbare als niet-oplaadbare, ingebouwd of vervangbaar), lampen, rubberen onderdelen, aandrijfriemen... (onbeperkte lijst).
  - defecten ten gevolge van brand, waterschade, bliksem, ongevallen, natuurrampen, enz.
  - defecten veroorzaakt door opzet, nalatigheid of door een onoordeelkundige behandeling, slecht onderhoud of abnormaal gebruik van het toestel strijdig met de voorschriften van de fabrikant.
  - schade ten gevolge van een commercieel, professioneel of collectief gebruik van het apparaat (bij professioneel gebruik wordt de garantieperiode herleid tot 6 maanden).
  - schade veroorzaakt door onvoldoende bescherming bij transport van het apparaat.
  - alle schade door wijzigingen, reparaties of modificaties uitgevoerd door derden zonder toestemming van Velleman®.
- Toestellen dienen ter reparatie aangeboden te worden bij uw Velleman®-verdelers. Het toestel dient vergezeld te zijn van het oorspronkelijke aankoopbewijs. Zorg voor een degelijke verpakking (bij voorkeur de originele verpakking) en voeg een duidelijke foutomschrijving bij.
- Tip: alvorens het toestel voor reparatie aan te bieden, kijk nog eens na of er geen voor de hand liggende reden is waarom het toestel niet naar behoren werkt (zie handleiding). Op deze wijze kunt u kosten en tijd besparen. Denk eraan dat er ook voor niet-defecte toestellen een kost voor controle aangerekend kan worden.
- Bij reparaties buiten de waarborgperiode zullen transportkosten aangerekend worden.
- Elke commerciële garantie laat deze rechten onverminderd.

**Bestaande opsming kan eventueel aangepast worden naargelang de aard van het product (zie handleiding van het betreffende product).**

**FR****Garantie de service et de qualité Velleman®**

Depuis 1972, Velleman® a gagné une vaste expérience dans le secteur de l'électronique et est actuellement distributeur dans plus de 85 pays. Tous nos produits répondent à des exigences de qualité rigoureuses et à des dispositions légales en vigueur dans l'UE. Afin de garantir la qualité, nous soumettons régulièrement nos produits à des contrôles de qualité supplémentaires, tant par notre propre service qualité que par un service qualité externe. Dans le cas improbable d'un défaut malgré toutes les précautions, il est possible d'invoquer notre garantie (voir les conditions de garantie).

**Conditions générales concernant la garantie sur les produits grand public (pour l'UE) :**

- tout produit grand public est garanti 24 mois contre tout vice de production ou de matériaux à dater du jour d'acquisition effective ;
- si la plainte est justifiée et que la réparation ou le remplacement d'un article est jugé impossible, ou lorsque les coûts s'avèrent disproportionnés, Velleman® s'autorise à remplacer ledit article par un article équivalent ou à rembourser la totalité ou une partie du prix d'achat. Le cas échéant, il vous sera consenti un article de remplacement ou le remboursement complet du prix d'achat lors d'un défaut dans un délai de 1 an après l'achat et la livraison, ou un article de remplacement moyennant 50% du prix d'achat ou le remboursement de 50% du prix d'achat lors d'un défaut après 1 à 2 ans.
- **sont par conséquent exclus :**
  - tout dommage direct ou indirect survenu à l'article après livraison (p.ex. dommage lié à l'oxydation, choc, chute, poussière, sable, impureté...) et provoqué par l'appareil, ainsi que son contenu (p.ex. perte de données) et une indemnisation éventuelle pour perte de revenus ;
  - toute pièce ou accessoire nécessitant un remplacement causé par un usage normal comme p.ex. piles (rechargeables comme non rechargeables, intégrées ou remplaçables), ampoules, pièces en caoutchouc, courroies... (liste illimitée) ;
  - tout dommage qui résulte d'un incendie, de la foudre, d'un accident, d'une catastrophe naturelle, etc. ;
  - out dommage provoqué par une négligence, volontaire ou non, une utilisation ou un entretien incorrect, ou une utilisation de l'appareil contraire aux prescriptions du fabricant ;
  - tout dommage à cause d'une utilisation commerciale, professionnelle ou collective de l'appareil (la période de garantie sera réduite à 6 mois lors d'une utilisation professionnelle) ;
  - tout dommage à l'appareil qui résulte d'une utilisation incorrecte ou différente que celle pour laquelle il a été initialement prévu comme décrit dans la notice ;
  - tout dommage engendré par un retour de l'appareil emballé dans un conditionnement non ou insuffisamment protégé.
- toute réparation ou modification effectuée par une tierce personne sans l'autorisation explicite de SA Velleman® ; - frais de transport de et vers Velleman® si l'appareil n'est plus couvert sous la garantie.
- toute réparation sera fournie par l'endroit de l'achat. L'appareil doit nécessairement être accompagné du bon d'achat d'origine et être dûment conditionné (de préférence dans l'emballage d'origine avec mention du défaut) ;
- tuyau : il est conseillé de consulter la notice et de contrôler câbles, piles, etc. avant de retourner l'appareil. Un appareil retourné jugé défectueux qui s'avère en bon état de marche pourra faire l'objet d'une note de frais à charge du consommateur ;
- une réparation effectuée en-dehors de la période de garantie fera l'objet de frais de transport ;
- toute garantie commerciale ne porte pas atteinte aux conditions susmentionnées.

**La liste susmentionnée peut être sujette à une complémentarion selon le type de l'article et être mentionnée dans la notice d'emploi.**

**ES****Garantía de servicio y calidad Velleman®**

Desde su fundación en 1972 Velleman® ha adquirido una amplia experiencia como distribuidor en el sector de la electrónica en más de 85 países. Todos nuestros productos responden a normas de calidad rigurosas y disposiciones legales vigentes en la UE. Para garantizar la calidad, sometemos nuestros productos regularmente a controles de calidad adicionales, tanto a través de nuestro propio servicio de calidad como de un servicio de calidad externo. En el caso improbable de que surgieran problemas a pesar de todas las precauciones, es posible recurrir a nuestra garantía (véase las condiciones de garantía).

**Condiciones generales referentes a la garantía sobre productos de venta al público (para la Unión Europea):**

- Todos los productos de venta al público tienen un período de garantía de 24 meses contra errores de producción o errores en materiales desde la adquisición original;
- Si la queja está fundada y si la reparación o sustitución de un artículo no es posible, o si los gastos son desproporcionados, Velleman® autoriza reemplazar el artículo por un artículo equivalente o reembolsar la totalidad o una parte del precio de compra. En este caso, usted recibirá un artículo de recambio o el reembolso completo del precio de compra si encuentra algún fallo hasta un año después de la compra y entrega, o un artículo de recambio al 50% del precio de compra o el reembolso del 50% del precio de compra si encuentra un fallo después de 1 año y hasta los 2 años después de la compra y entrega.
- **Por consiguiente, están excluidos otros cosas:**
  - todos los daños causados directa o indirectamente al aparato (p.ej. por oxidación, choques, caída,...) y a su contenido (p.ej. pérdida de datos) después de la entrega y causados por el aparato, y cualquier indemnización por posible pérdida de ganancias;
  - partes o accesorios, que estén expuestos al desgaste causado por un uso normal, como por ejemplo baterías (tanto recargables como no recargables, incorporadas o reemplazables), bombillas, partes de goma, etc. (lista ilimitada);
  - defectos causados por un incendio, daños causados por el agua, rayos, accidentes, catástrofes naturales, etc.;
  - defectos causados a conciencia, descuido o por malos tratos, un mantenimiento inapropiado o un uso anormal del aparato contrario a las instrucciones del fabricante;
  - daños causados por un uso comercial, profesional o colectivo del aparato (el periodo de garantía se reducirá a 6 meses con uso profesional);
  - daños causados por un uso incorrecto o un uso ajeno al que está previsto el producto inicialmente como está descrito en el manual del usuario;
  - daños causados por una protección insuficiente al transportar el aparato.
  - daños causados por reparaciones o modificaciones efectuadas por una tercera persona sin la autorización explícita de Velleman®;
  - se calcula gastos de transporte de y a Velleman® si el aparato ya no está cubierto por la garantía.
- Cualquier artículo que tenga que ser reparado tendrá que ser devuelto a su distribuidor Velleman®. Devuelva el aparato con la factura de compra original y transportélo en un embalaje sólido (preferentemente el embalaje original). Incluya también una buena descripción del fallo;
- Consejo: Lea el manual del usuario y controle los cables, las pilas, etc. antes de devolver el aparato. Si no se encuentra un defecto en el artículo los gastos podrían correr a cargo del cliente;
- Los gastos de transporte correrán a carga del cliente para una reparación efectuada fuera del período de garantía.
- Cualquier gesto comercial no disminuye estos derechos.

**La lista previamente mencionada puede ser adaptada según el tipo de artículo (véase el manual del usuario del artículo en cuestión).**

**DE****Velleman® Service- und Qualitätsgarantie**

Seit der Gründung in 1972 hat Velleman® sehr viel Erfahrung als Verteiler in der Elektronikwelt in über 85 Ländern aufgebaut. Alle Produkte entsprechen den strengen Qualitätsforderungen und gesetzlichen Anforderungen in der EU. Um die Qualität zu gewährleisten werden unsere Produkte regelmäßig einer zusätzlichen Qualitätskontrolle unterworfen, sowohl von unserer eigenen Qualitätsabteilung als auch von externen spezialisierten Organisationen. Sollten, trotz aller Vorsichtsmaßnahmen, Probleme auftreten, nehmen Sie bitte die Garantie in Anspruch (siehe Garantiebedingungen).

**Allgemeine Garantiebedingungen in Bezug auf Konsumgüter (für die Europäische Union):**

- Alle Produkte haben für Material- oder Herstellungsfehler eine Garantieperiode von 24 Monaten ab Verkaufsdatum.
- Wenn die Klage berechtigt ist und falls eine kostenlose Reparatur oder ein Austausch des Gerätes unmöglich ist, oder wenn die Kosten dafür unverhältnismäßig sind, kann Velleman® sich darüber entscheiden, dieses Produkt durch ein gleiches Produkt zu ersetzen oder die Kaufsumme ganz oder teilweise zurückzuzahlen. In diesem Fall erhalten Sie ein Ersatzprodukt oder eine Rückzahlung im Werte von 100% der Kaufsumme im Falle eines Defektes bis zu 1 Jahr nach Kauf oder Lieferung, oder Sie bekommen ein Ersatzprodukt im Werte von 50% der Kaufsumme oder eine Rückzahlung im Werte von 50 % im Falle eines Defektes im zweiten Jahr.
- **Von der Garantie ausgeschlossen sind:**
  - alle direkten oder indirekten Schäden, die nach Lieferung am Gerät und durch das Gerät verursacht werden (z.B. Oxidation, Stöße, Fall, Staub, Schmutz, Feuchtigkeit, ...), sowie auch der Inhalt (z.B. Datenverlust), Entschädigung für eventuellen Gewinnausfall.
  - Verbrauchsgüter, Teile oder Zubehörteile, die durch normalen Gebrauch dem Verschleiß ausgesetzt sind, wie z.B. Batterien (nicht nur aufladbare, sondern auch nicht aufladbare, eingebaute oder ersetzbare), Lampen, Gummiteile, Treibriemen, usw. (unbeschränkte Liste).
  - Schäden verursacht durch Brandschaden, Wasserschaden, Blitz, Unfälle, Naturkatastrophen, usw.
  - Schäden verursacht durch absichtliche, nachlässige oder unsachgemäße Anwendung, schlechte Wartung, zweckentfremdete Anwendung oder Nichtbeachtung von Benutzerhinweisen in der Bedienungsanleitung.
  - Schäden infolge einer kommerziellen, professionellen oder kollektiven Anwendung des Gerätes (bei gewerblicher Anwendung wird die Garantieperiode auf 6 Monate zurückgeführt).
  - Schäden verursacht durch eine unsachgemäße Verpackung und unsachgemäßen Transport des Gerätes.
  - alle Schäden verursacht durch unautorisierte Änderungen, Reparaturen oder Modifikationen, die von einem Dritten ohne Erlaubnis von Velleman® vorgenommen werden.
- Im Fall einer Reparatur, wenden Sie sich an Ihren Velleman®-Verteiler. Legen Sie das Produkt ordnungsgemäß verpackt (vorzugsweise die Originalverpackung) und mit dem Original-Kaufbeleg vor. Fügen Sie eine deutliche Fehlerbeschreibung hinzu.
- Hinweis: Um Kosten und Zeit zu sparen, lesen Sie die Bedienungsanleitung nochmals und überprüfen Sie, ob es keinen auf de Hand liegenden Grund gibt, ehe Sie das Gerät zur Reparatur zurückschicken. Stellt sich bei der Überprüfung des Gerätes heraus, dass kein Geräteschaden vorliegt, könnte dem Kunden eine Untersuchungspauschale berechnet.
- Für Reparaturen nach Ablauf der Garantiefrist werden Transportkosten berechnet.
- Jede kommerzielle Garantie lässt diese Rechte unberührt.

**Die oben stehende Aufzählung kann eventuell angepasst werden gemäß der Art des Produktes (siehe Bedienungsanleitung des Gerätes).****PL****Velleman® usługi i gwarancja jakości**

Od czasu założenia w 1972, Velleman® zdobył bogate doświadczenie w dziedzinie światowej elektroniki. Obecnie firma dystrybuje swoje produkty w ponad 85 krajach.

Wszystkie nasze produkty spełniają surowe wymagania jakościowe oraz wypełniają normy i dyrektywy obowiązujące w krajach UE. W celu zapewnienia najwyższej jakości naszych produktów, przechodzą one regularne oraz dodatkowo wyrwykowe badania kontroli jakości, zarówno naszego wewnętrznego działu jakości jak również wyspecjalizowanych firm zewnętrznych. Pomimo dołożenia wszelkich starań czasem mogą pojawić się problemy techniczne, prosimy odwołać się do gwarancji (patrz warunki gwarancji).

**Ogólne Warunki dotyczące gwarancji:**

- Wszystkie produkty konsumenckie podlegają 24-miesięcznej gwarancji na wady produkcyjne i materiałowe od daty zakupu.
- W przypadku, gdy usterka jest niemożliwa do usunięcia lub koszt usunięcia jest nadmiernie wysoki Velleman® może zdecydować o wymianie artykułu na nowy, wolny od wad lub zwrócić zapłaconą kwotę. Zwrot gotówki może jednak nastąpić z uwzględnieniem poniższych warunków:
  - zwrot 100% ceny zakupu w przypadku, gdy wada wystąpiła w ciągu pierwszego roku od daty zakupu i dostawy
  - wymiana wadliwego artykułu na nowy, wolny od wad z odpłatnością 50% ceny detalicznej lub zwrot 50% kwoty ceny nabycia w przypadku gdy wada wystąpiła w drugim roku od daty zakupu i dostawy.
- **Produkt nie podlega naprawie gwarancyjnej:**
  - gdy wszystkie bezpośrednie lub pośrednie szkody spowodowane są działaniem czynników środowiskowych lub losowych (np. przez utlenianie, wstrząsy, upadki, kurz, brud, ...), wilgotności;
  - gwarant nie ponosi odpowiedzialności za szkody wynikających z utraty danych;
  - produkty konsumenckie, części zamienne lub akcesoria podatne na proces starzenia, wynikającego z normalnego użytkowania, np: baterie (ładowalne, nieladowalne, wbudowane lub wymienne), żarówki, paski napędowe, gumowe elementy napędowe... (nieograniczona lista);
  - usterka wynika z działania pożaru, zalania wszelkimi cieczami, uderzenia pioruna, upadku lub klęski żywiołowej, itp.;
  - usterka wynika z zaniedbań eksploatacyjnych tj. umyślne bądź nieumyślne zaniechanie czyszczenia, konserwacji, wymiany materiałów eksploatacyjnych, niedbalstwa lub z niewłaściwego obchodzenia się lub niezgodnego użytkowania z instrukcją producenta;
  - szkody wynikające z nadmiernego użytkowania gdy nie jest do tego celu przeznaczony tj. działalność komercyjna, zawodowa lub wspólne użytkowanie przez wiele osób - okres obowiązywania gwarancji zostanie obniżony do 6 (sześć) miesięcy;
  - Szkody wynikające ze źle zabezpieczonej wysyłki produktu;
  - Wszelkie szkody spowodowane przez nieautoryzowaną naprawę, modyfikację, przerobę produktu przez osoby trzecie jak również bez pisemnej zgody firmy Velleman®.
- Uszkodzony produkt musi zostać dostarczony do sprzedawcy® Velleman, solidnie zapakowany (najlepiej w oryginalnym opakowaniu), wraz z wyposażeniem z jakim produkt został sprzedany. W przypadku wysyłki towaru w opakowaniu innym niż oryginalnym ryzyko usterki produktu oraz tego skutki przechodzą na właściciela produktu. Wraz z niesprawnym produktem należy dołączyć jasny i szczegółowy opis jego usterki, wady;
- Wskazówka: Aby zaoszczędzić na kosztach i czasie, proszę szczegółowo zapoznać się z instrukcją obsługi; czy przyczyna wady są okoliczności techniczne czy też wynikają wyłącznie z nieznaności obsługi produktu. W przypadku wysyłki sprawnego produktu do serwisu nabywca może zostać obciążony kosztami obsługi oraz transportu.

- W przypadku napraw pogwarancyjnych lub odpłatnych klient ponosi dodatkowo koszt wysyłki produktu do i z serwisu.
- wymienione wyżej warunki są bez uszczerbku dla wszystkich komercyjnych gwarancji.

**Powyzsze postanowienia mogą podlegać modyfikacji w zależności od wyrobu (patrz art obsługi).****PT****Garantia de serviço e de qualidade Velleman®**

Desde a sua fundação em 1972 Velleman® tem adquirido uma ampla experiência no sector da eletrónica com uma distribuição em mais de 85 países. Todos os nossos produtos respondem a exigências rigorosas e a disposições legais em vigor na UE. Para garantir a qualidade, submetemos regularmente os nossos produtos a controles de qualidade suplementares, com o nosso próprio serviço qualidade como um serviço de qualidade externo. No caso improvável de um defeito mesmo com as nossas precauções, é possível invocar a nossa garantia. (ver as condições de garantia).

**Condições gerais com respeito a garantia sobre os produtos grande público (para a UE):**

- qualquer produto grande público é garantido 24 mês contra qualquer vício de produção ou materiais a partir da data de aquisição efectiva;
- no caso da reclamação ser justificada e que a reparação ou substituição de um artigo é impossível, ou quando os custos são desproporcionados, Velleman® autoriza-se a substituir o dito artigo por um artigo equivalente ou a devolver a totalidade ou parte do preço de compra. Em outro caso, será consentido um artigo de substituição ou devolução completa do preço de compra no caso de um defeito no prazo de 1 ano depois da data de compra e entrega, ou um artigo de substituição pagando o valor de 50% do preço de compra ou devolução de 50% do preço de compra para defeitos depois de 1 a 2 anos.
- **estão por consequência excluídos:**
  - todos os danos directos ou indirectos depois da entrega do artigo (p.ex. danos ligados a oxidação, choques, quedas, poeiras, areias, impurezas...) e provocado pelo aparelho, como o seu conteúdo (p.ex. perda de dados) e uma indemnização eventual por perda de receitas;
  - consumíveis, peças ou acessórios sujeitos a desgaste causado por um uso normal, como p.ex. pilhas (recarregáveis, não recarregáveis, incorporadas ou substituíveis), lâmpadas, peças em borracha correias... (lista ilimitada);
  - todos os danos que resultem de um incêndio, raios, de um acidente, de uma catastrophe natural, etc.;
  - danos provocados por negligencia, voluntária ou não, uma utilização ou manutenção incorrecta, ou uma utilização do aparelho contrária as prescrições do fabricante;
  - todos os danos por causa de uma utilização comercial, profissional ou colectiva do aparelho (o período de garantia será reduzido a 6 meses para uma utilização profissional);
  - todos os danos no aparelho resultando de uma utilização incorrecta ou diferente daquela inicialmente prevista e descrita no manual de utilização;
  - todos os danos depois de uma devolução não embalada ou mal protegida ao nível do acondicionamento.
- todas as reparações ou modificações efectuadas por terceiros sem a autorização de SA Velleman®;
- despesas de transporte de e para Velleman® se o aparelho não estiver coberto pela garantia.
- qualquer reparação será fornecida pelo local de compra. O aparelho será obrigatoriamente acompanhado do talão ou factura de origem e bem acondicionado (de preferência dentro da embalagem de origem com indicação do defeito ou avaria);
- dica: aconselha-mos a consulta do manual e controlar cabos, pilhas, etc. antes de devolver o aparelho. Um aparelho devolvido que estiver em bom estado será cobrado despesas a cargo do consumidor;
- uma reparação efectuada fora da garantia, será cobrado despesas de transporte;
- qualquer garantia comercial não prevalece as condições aqui mencionadas.

**A lista pode ser sujeita a um complemento conforme o tipo de artigo e estar mencionada no manual de utilização.**